

STEERING ASSEMBLY

STEERING WHEEL

1

DRIVER'S SECTION FIGURE PLACEMENT

FRONT SEATS

PEGS

FEET

HOLES

2

MULTIPLE FIGURE PLACEMENT

SITTING FIGURES

STANDING FIGURES

REAR

3

SEAT BELT INSTALLATION

SEAT BELTS

4

COVER INSTALLATION

GUN TURRET

HOLE

COVER

CAB

5

REAR BUMPER IMPLEMENTATION

PULL →

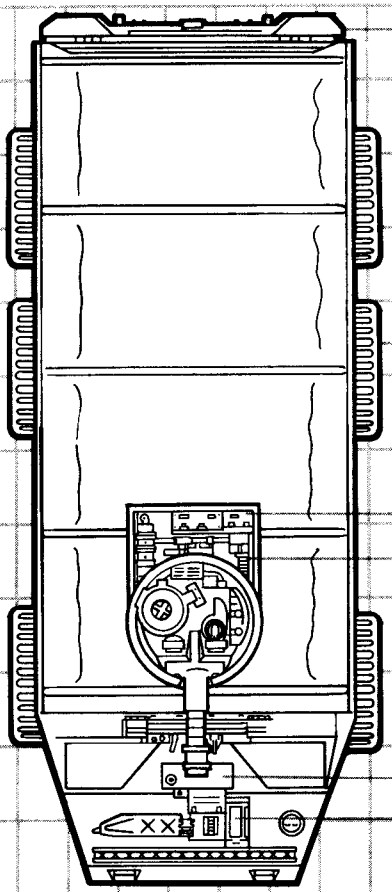
REAR BUMPER HANDLE

6

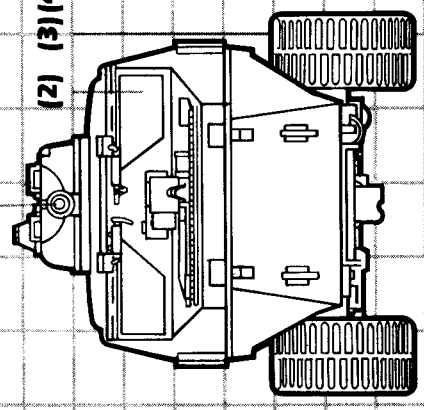
- 1 Fit steering wheel into place. (ILL. 1)
- 2 Place two figures into two front seats. (Figures sold separately.) Holes in feet fit over pegs on vehicle floor. (ILL. 2)
- 3 Place your G.I. Joe figures in the rear of Night Scrambler as shown. Holds up to 26 standing and sitting figures. (ILL. 3)
- 4 Fit the two long seat belts into place. (ILL. 4)
- 5 Fit cab into place. Fit cover onto vehicle. Snap gun turret into hole in cover. (ILL. 5)
- 6 Pull out rear bumper to use as carry handle. (ILL. 6)

NIGHT FORCE™ NIGHT SCRAMBLER™

- 1) 50MM SINGLE FIRE AUTO-CONTROL CANNON
- 2) SHELL PROOF TINTED BUTYRATE PORTHOLE
- 3) OFF-ROAD FLOATATION TIRES ON MODULAR ALLOY RIMS
- 4) ENGINE AIR INTAKE
- 5) ENGINE OIL/AIR INTER-COOLER
- 6) PRIMARY CLIMATE CONTROL SYSTEM
- 7) TURRET DRIVE MAINTENANCE HATCH
- 8) TURRET DRIVE SUPPORT SYSTEMS
- 9) EMERGENCY AID KIT/TOOL KIT (ROAD TOOLS ON TAILGATE)
- 10) 1.5" TORPEDO RESISTANT HULL ARMOR
- 11) CANVAS PERSONNEL COVER
- 12) REAR FOUR-WHEEL DRIVE
- 13) AUXILIARY AIR PURIFIER
- 14) TELESCOPING BUMPER
- 15) HYDRAULIC SUSPENSION FLUID RESERVOIR
- 16) WATERTIGHT HULL ENTRY HATCH
- 17) PROPELLER HATCH DOORS

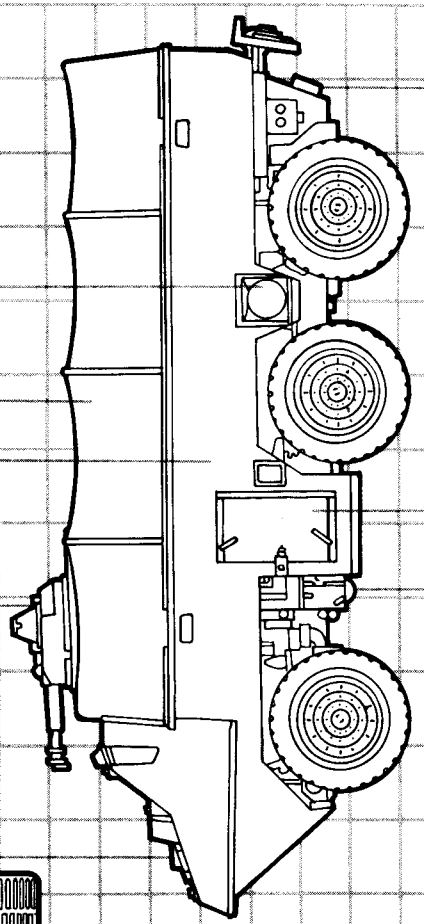


(14)



(2) (3)(4)(5)(6)

(7) (8) (9) (10) (11) (12) (13)



(15) (16)

(17)

1 **G.I. JOE**
Peel and apply labels as shown.

6 UNITED STATES
DM3 NA5POL-1
NIGHTFORCE
NIGHTFORCE
STEP