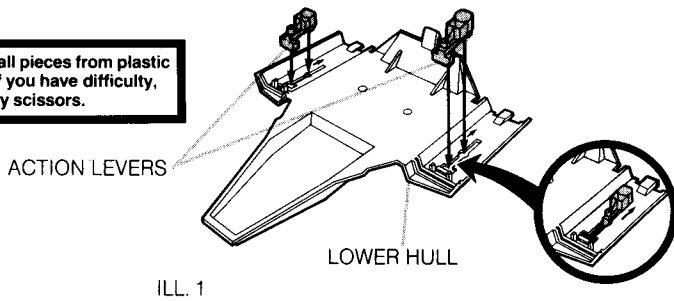


## NIGHT SHADE™ INSTRUCTIONS

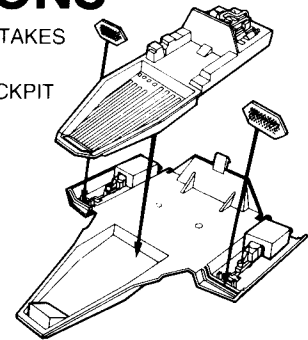
Remove all pieces from plastic bags. If you have difficulty, use safety scissors.



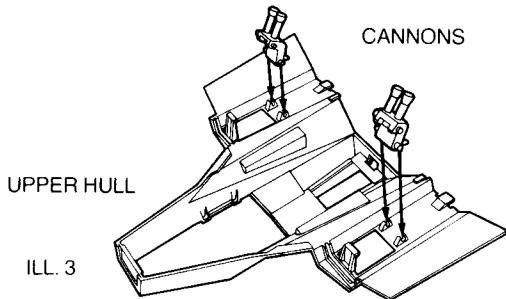
1 Fit action levers into slots in hull as shown. Slide them all the way to the back. (ILL. 1)

ENGINE INTAKES

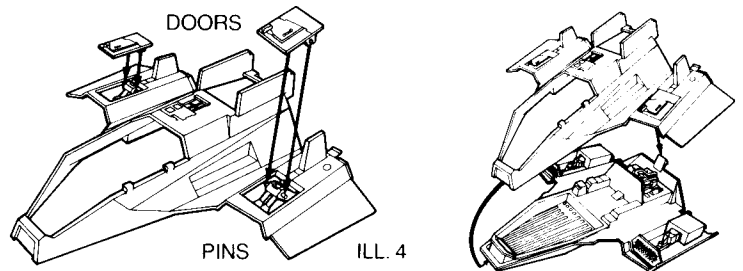
COCKPIT



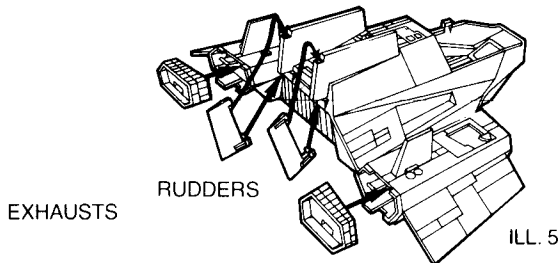
2 Fit cockpit into place. Place engine intakes into position. Put lower hull aside. (ILL. 2)



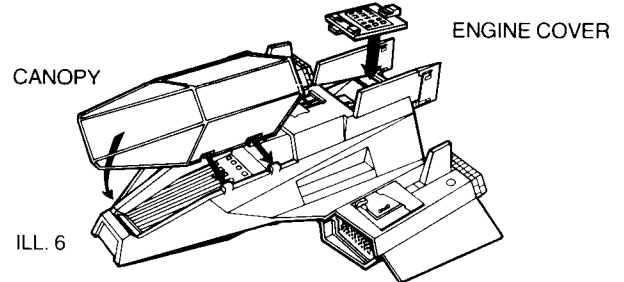
3 Snap cannons into upper hull with posts facing rear. (ILL. 3)



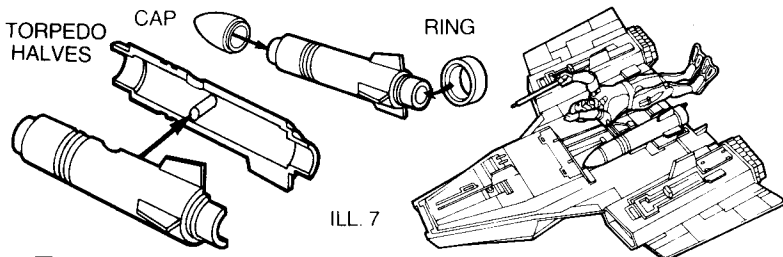
4 Snap cannon doors onto pins on cannons and close doors. First hook front tab of upper hull under front of white lower hull. Then snap back and side tabs into position. (ILL. 4)



5 To operate cannons, slide action levers. Attach exhaust to hulls as shown. Place bottom pin of rudder into hole on back of hull as shown. Snap top pin into top hole. Repeat with other rudder. (ILL. 5)



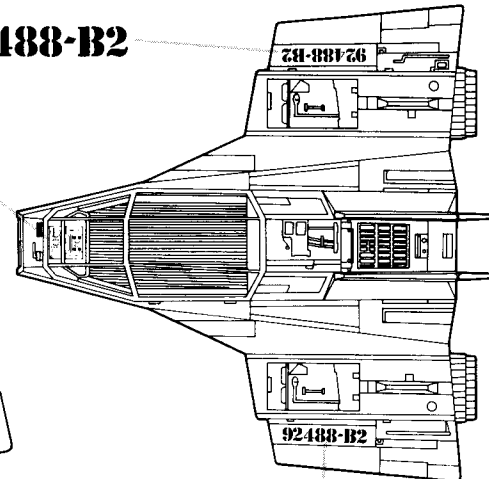
6 Snap engine cover over engine with handle toward rear. Press canopy posts with your thumbs into hinges in hull. (ILL. 6)



7 Press torpedo halves together. Press cap over front and snap ring over back of torpedo. Repeat with other torpedo. Press torpedo or G.I. Joe figure, sold separately, onto peg on bottom of Night Shade. (ILL. 7)

Peel off labels and apply as shown.

92488-B2

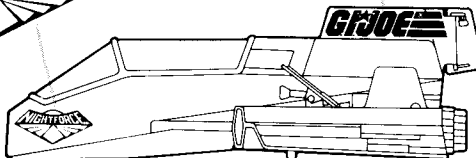


GI JOE

GI JOE

NIGHTFORCE

NIGHTFORCE



92488-B2

## NIGHT SHADE<sup>™</sup>

- 1) PASSIVE PROTECTION/ATMOSPHERIC SURVEILLANCE SENSORS
- 2) TARGET ACQUISITION SCREEN/PILOT VISION SYSTEM
- 3) BORON-EPOXY SKIN OVER TITANIUM FRAME CONSTRUCTION
- 4) EXTERNAL ELECTRONIC SENSORS/DIGITAL TRANSFER MODULE
- 5) MAIN ENGINE HEAT DISSIPATION FINS
- 6) ENGINE COMPARTMENT VENTILATION SCREENS
- 7) HAND-LAYERED CERAMIC HEAT-SEALING EXHAUST NOZZLES
- 8) TWIN RECOILLESS 30MM "TIDALWAVE NF" CANNONS
- 9) IMPACT-RESISTANT TINTED GULLWING CANOPY
- 10) MANUAL EMERGENCY HATCH ACCESS SYSTEM
- 11) SELF-ADJUSTING COMPUTER CONTROLLED VERTICAL STABILIZERS
- 12) HIGH INTENSITY XENON MAIN RUNNING LIGHT
- 13) WING MOUNTED COOLANT INLET PORTS
- 14) "NIGHT SHADE" SERIES-5 ACOUSTIC HOMING TORPEDO

