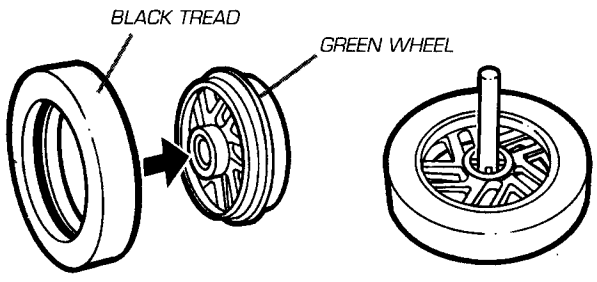
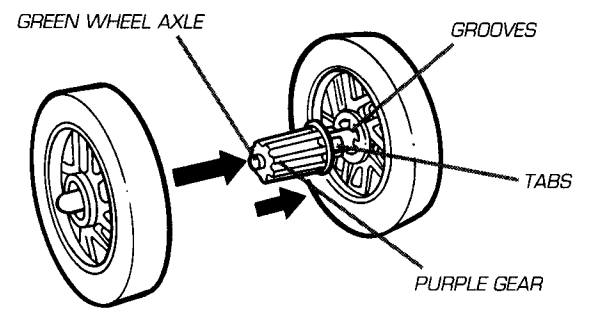


**CONTAINS:** Ninja Lightning cycle with zipcord, 2 missiles, detachable sidecar with trigger, front wheel halves, 2 rear wheels, 2 treads, wheel gear, sidecar wheel and label sheet. **CAUTION:** Do not aim weapon at eyes or face.



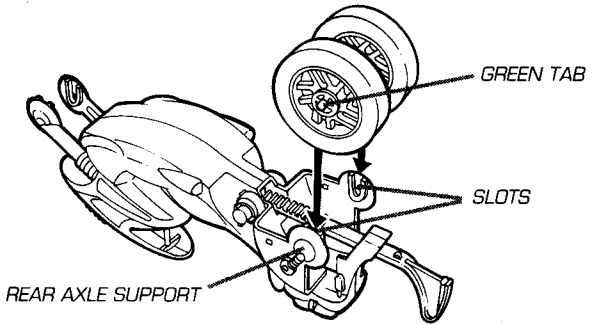
### 1 WHEEL ASSEMBLY

Fit black treads onto green wheels as shown. **NOTE:** It may be necessary to trim excess bumps left by the runner frame from both black tires so treads have a smooth surface.



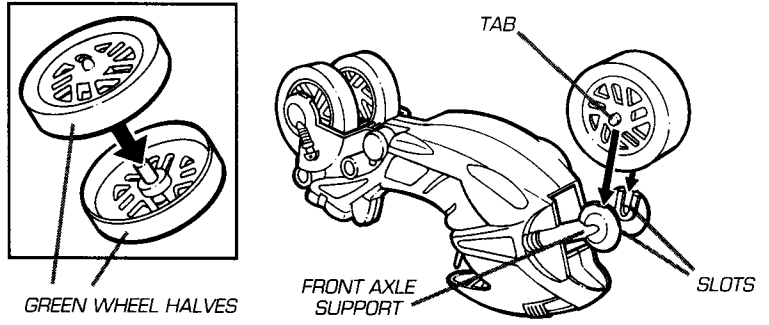
### 2 WHEEL ASSEMBLY CONT.

Press purple gear onto green wheel axle, fitting tabs in gear into grooves in wheel as shown. Press other wheel onto axle.



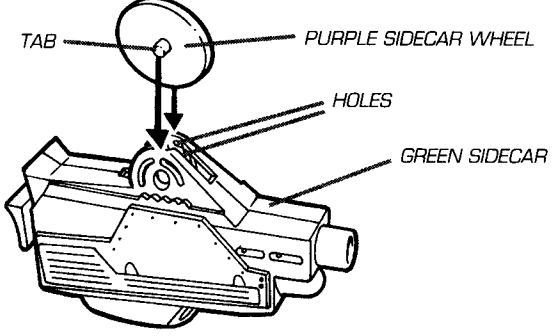
### 3 WHEEL ASSEMBLY CONT.

Snap green tabs on rear wheels into slots inside rear axle support as shown.



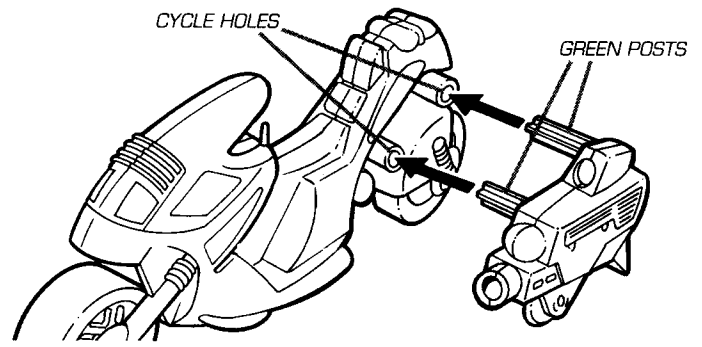
### 4 FRONT WHEEL ASSEMBLY

Press green front wheel halves together. Snap green tabs on sides of front wheel into slots inside front axle support as shown.



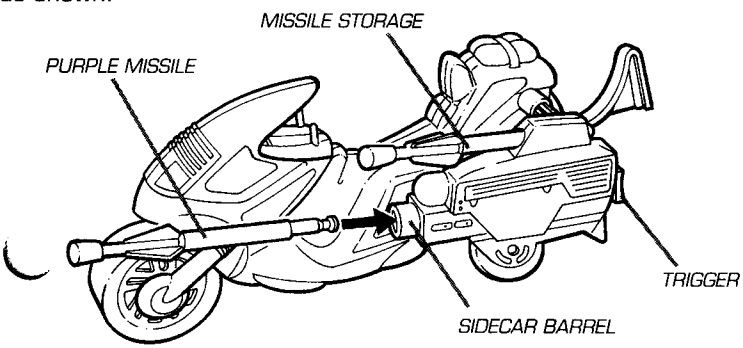
### 5 SIDECAR ASSEMBLY

Snap tabs on purple sidecar wheel into holes in green sidecar as shown.



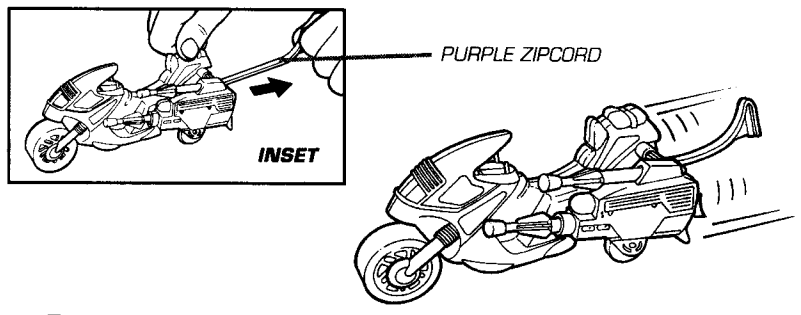
### 6 SIDECAR ASSEMBLY CONT.

Press green sidecar posts into blue cycle holes as shown. Sidecar is designed to be taken on and off cycle.



### 7 MISSILE FIRING AND STORAGE

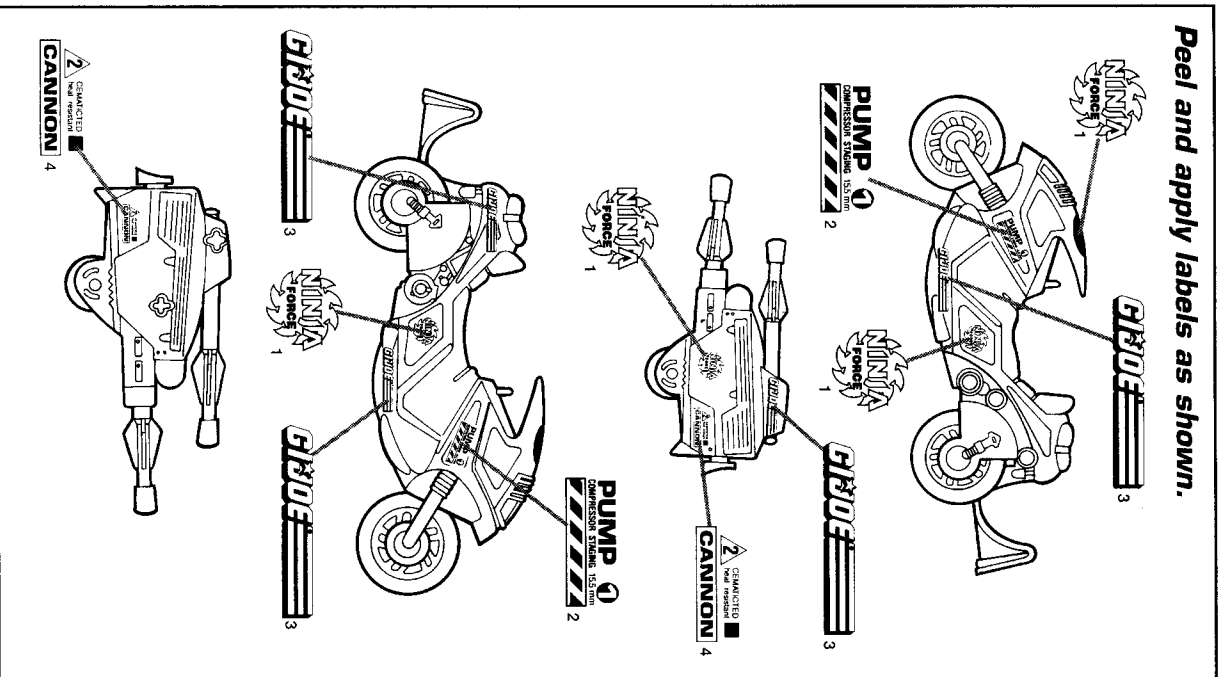
Insert purple missile into sidecar barrel as shown. To fire, press purple trigger at rear of sidecar. Other missile can be stored in top of sidecar as shown.



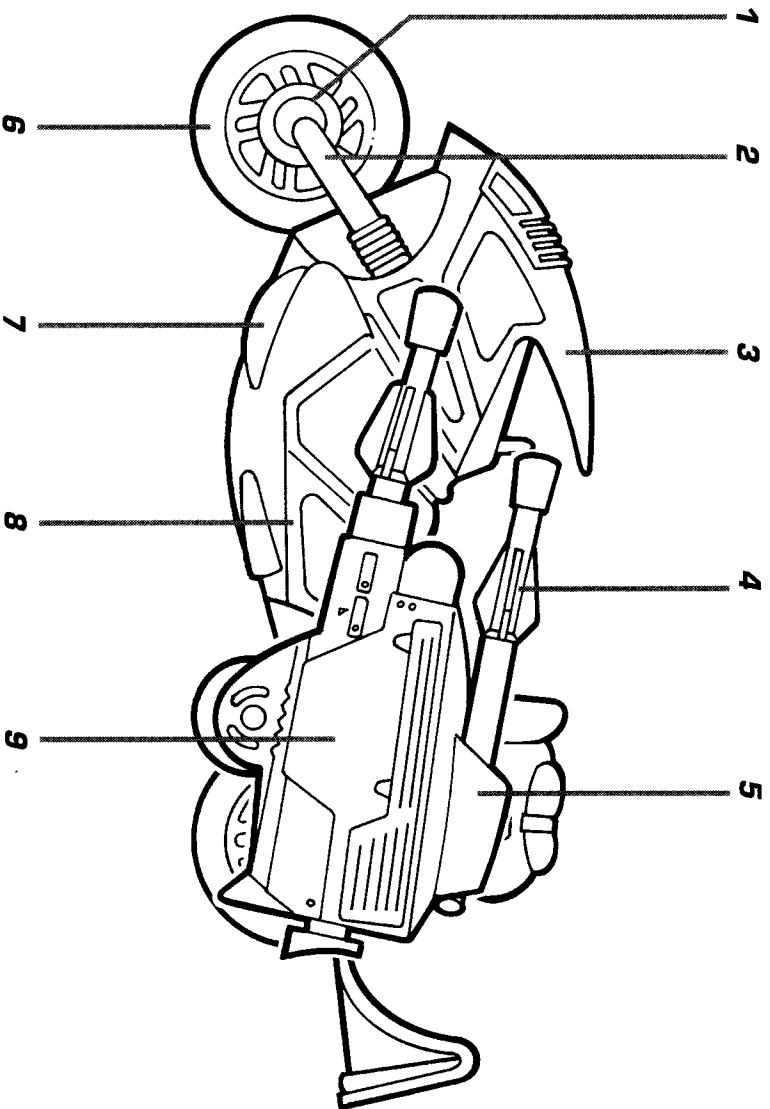
### 8 ACTIVATING CYCLE

Pull back on purple zipcord strip at rear of cycle, then press down slightly on rear of cycle to hold cycle in place (INSET). Release zipcord and cycle. **NOTE: For best results, use the Ninja Lightning on a hard flat surface.**

Peel and apply labels as shown.



Product and colors may vary.  
 Approximate size of Ninja Lightning is 8<sup>1</sup>/<sub>4</sub>" L x 3<sup>3</sup>/<sub>4</sub>" W x 2<sup>3</sup>/<sub>4</sub>" H.  
 ©1992 Hasbro, Inc., Pawtucket, RI 02862 U.S.A. All Rights Reserved.  
**MADE IN USA.**  
 6888 P/N 43307901



## NINJA LIGHTNING™ OFFICIAL G.I. JOE VEHICLE SPECIFICATIONS

- 1) FRONT/REAR DISC BRAKES WITH SILENT-RUNNING WHEEL PLATING
- 2) SELF-ADJUSTING, FRONT FORK SHOCK SUSPENSION
- 3) SHATTER-PROOF, AIR-SLICING PLASTO-GLASS WINDSCREEN
- 4) TWO, SURFACE-TO-SURFACE STEALTH MISSILES
- 5) CUSTOMIZED UPPER MISSILE STORAGE
- 6) ALL-TERRAIN, PUNCTURE-PROOF CYCLE TIRES
- 7) DRAG RESISTANT BOTTOM FOIL FOR SILENT-NINJA APPROACH MODE
- 8) ZIPCORD ACTIVATED, MOTORIZED "LIGHTNING" ENGINE WITH STEEL-CASED NOISE SUPPRESSOR
- 9) DETACHABLE, SPRING-FIRE MISSILE LAUNCHING SIDECAR WITH SILENCER