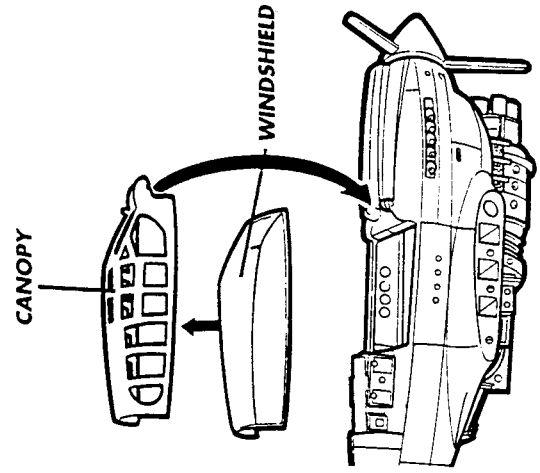


PROPELLER

1. PROPELLER ASSEMBLY

Snap propeller onto front of plane.

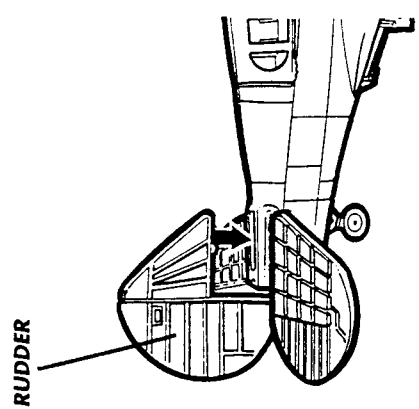


CANOPY

WINDSHIELD

2. CANOPY ASSEMBLY

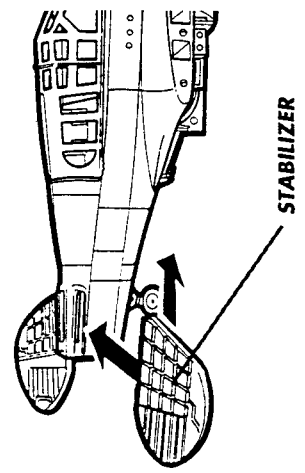
Snap canopy windshield into canopy. Snap front canopy hinge onto plane as shown. Canopy is designed to open and close.



RUDDER

3. TAIL ASSEMBLY

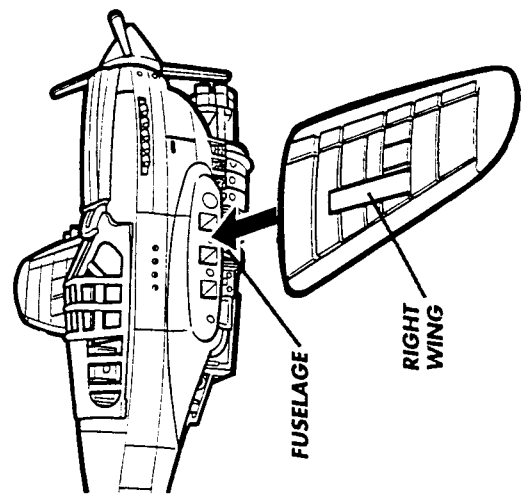
Guide side stabilizer into slot as shown and slide forward until it snaps into place. Repeat with other side stabilizer.



STABILIZER

4. TAIL ASSEMBLY CONT.

Guide rudder down as shown until it snaps into place.



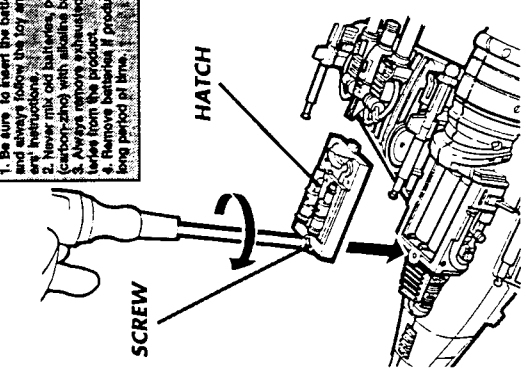
FUSELAGE

RIGHT WING

5. WING ASSEMBLY

Snap right wing into right side of fuselage as shown. Repeat with left wing.

CAUTION: TO AVOID BATTERY LEAKAGE
 1. Be sure to insert the required battery and instructions with the airplane.
 2. Never mix old batteries or standard (carbon-zinc) with alkaline batteries.
 3. Always remove exhausted or dead batteries from the product.
 4. Remove batteries if product is stored for long period of time.

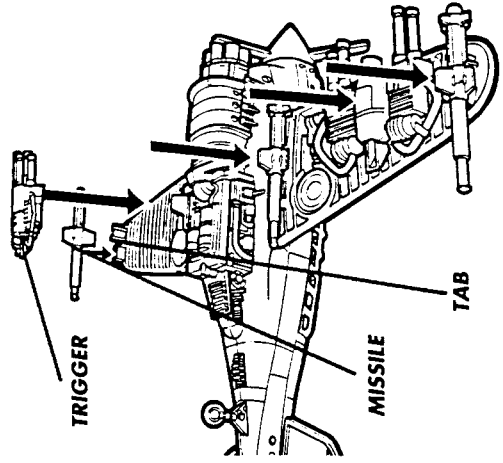


SCREW

HATCH

6. MISSILE LAUNCHER ASSEMBLY

Snap launchers under wings as shown. Missiles store on wing tabs as shown. Insert missiles into barrels and lock in place. To fire, press triggers. CAUTION: DO NOT AIM MISSILES AT EYES OR FACE.



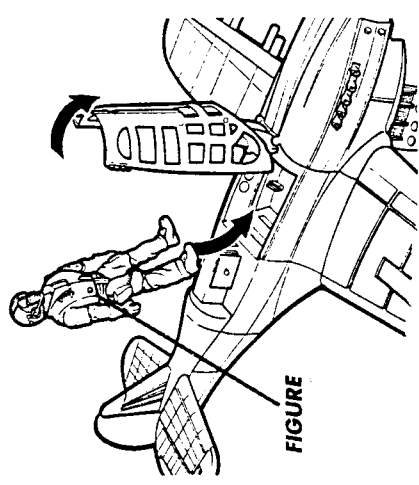
TRIGGER

MISSILE

TAB

7. BATTERY INSTALLATION

Using a Phillips® screwdriver, remove battery compartment screw and battery compartment hatch. Insert two "AA" batteries (alkaline recommended) into place as shown, then replace hatch and screw.



FIGURE

8. FIGURE

Open canopy and fit Sgt. Savage™ into cockpit. Close canopy.