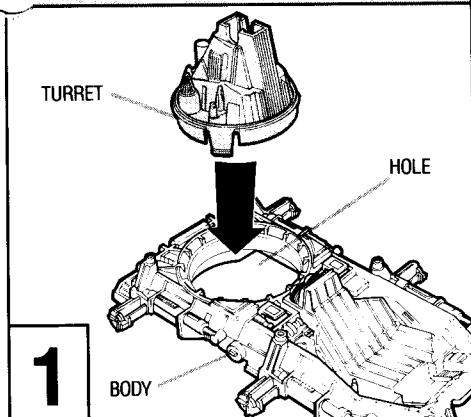
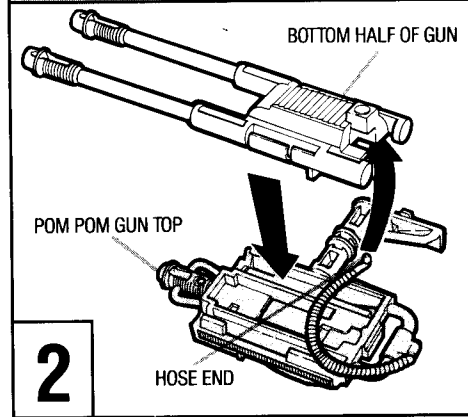


Contains: Body, turret, turret top, top & bottom pom pom gun halves, spring action missile launcher, 3 missiles, 4 track treads, 4 wheels with retaining pins, label sheet, blueprints and instructions.

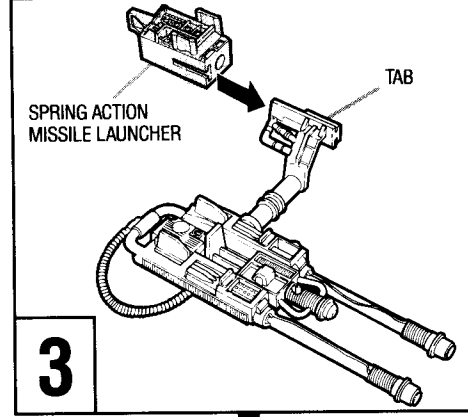
TURRET INSTALLATION



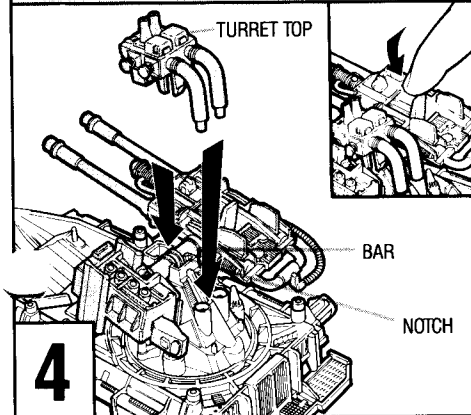
POM POM GUN ASSEMBLY



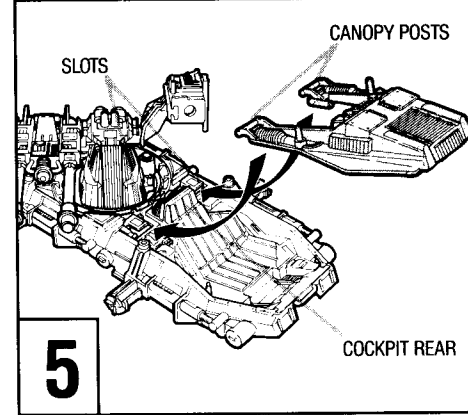
MISSILE LAUNCHER INSTALLATION



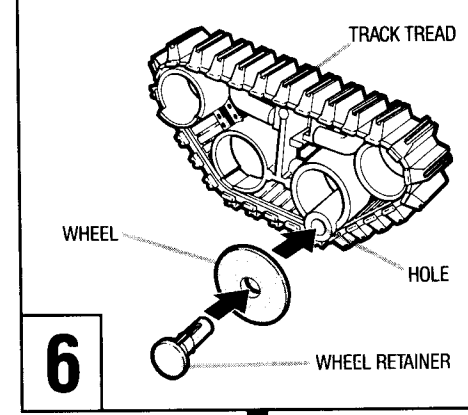
POM POM GUN INSTALLATION



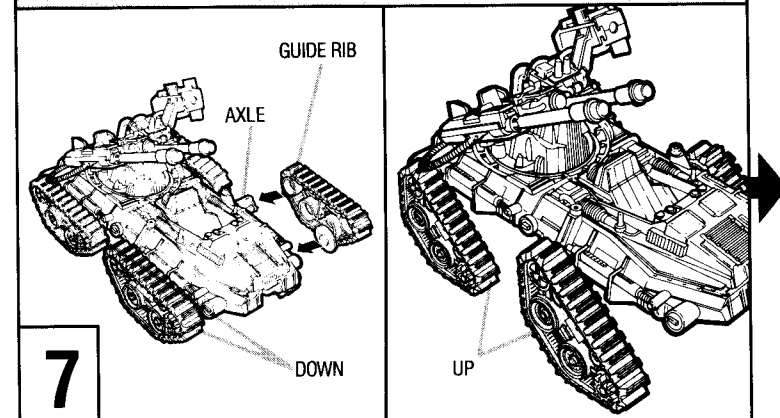
CANOPY INSTALLATION



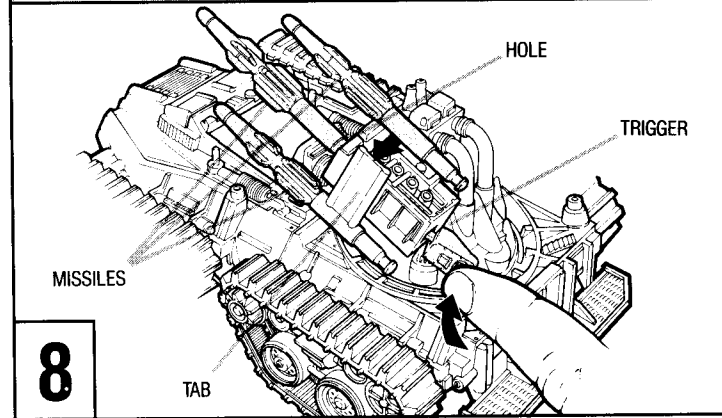
WHEEL/TRACK TREAD ASSEMBLY



TRACK TREAD INSTALLATION



LAUNCHING MISSILES

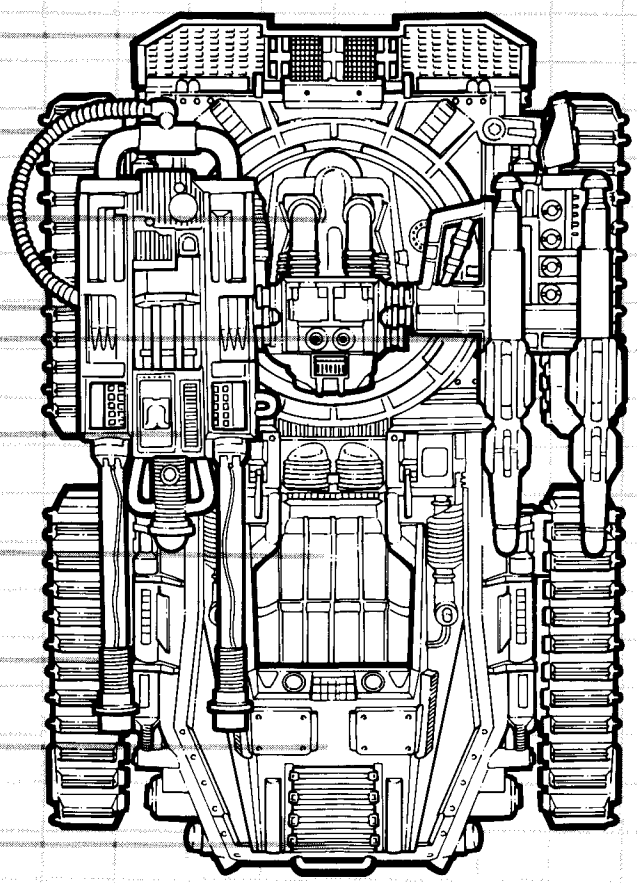
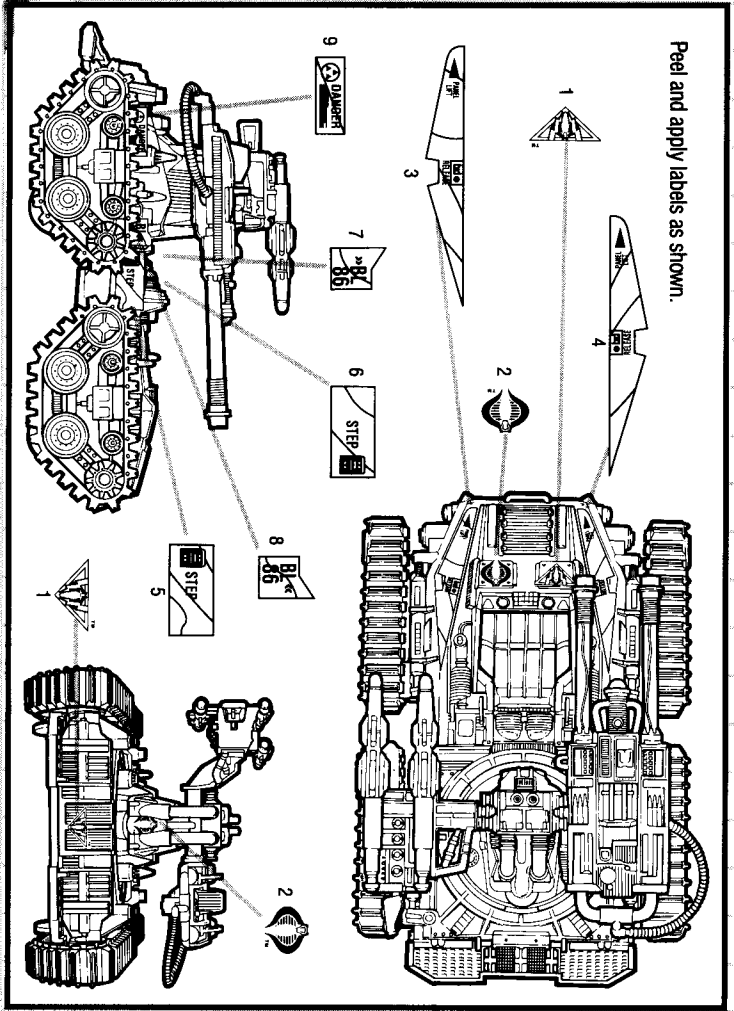


- 1 Snap turret into hole in body. (ILL. 1)
- 2 Turn pom pom gun top over and snap into bottom half of gun as shown. Insert hose end into hole in gun bottom as shown. (ILL. 2)
- 3 Turn pom pom gun right side up. Slide spring action missile launcher onto tab on pom pom gun as shown. (ILL. 3)
Snap pom pom gun bar into notch on turret as shown, then snap turret top over bar and into turret. Pom pom gun moves back and forth when activated by child's finger. (INSET) (ILL. 4)
- 4 Slide in and snap canopy posts into slots in cockpit rear as shown. (ILL. 5)
- 5 Fit wheel retainer through wheel, then snap into hole in track tread. Repeat for other wheels and tracks. (ILL. 6)
- 6 Align guide rib in hole in track tread with body axle, then push in and maneuver down to snap into place. Repeat for other track treads. Tracks can be positioned up or down as shown. (ILL. 7)
- 7 Place missiles onto tabs on spring action missile launcher. To fire missile, load missile into hole in launcher and lock into firing position. Press trigger to fire. (ILL. 8)

COBRA™ PARALYZER™

- 1) PERSONNEL TRANSPORTATION MOUNT
- 2) HYDRAULIC-POWERED ACTIVATION HOSE
- 3) SWIVELING BATTLE TURRET WITH FULL 360° ROTATION CAPABILITY
- 4) DOUBLE-BARRELED, CONCUSSION CANNON WITH SERVO-FIREPOWER
- 5) ANTI-RADAR, ELECTRONICALLY CHARGED, COMMUNICATIONS DEACTIVATION MISSILE
- 6) MULTIPLE ROUND AMMUNITION LOADING CHAMBER
- 7) INCLINED, FULL-CONTROL COCKPIT WITH CRANIUM-TOUCH BATTLE INSTRUCTIONS
- 8) NOISE-INHIBITING MUZZLE WITH PROJECTILE ALIGNMENT REGULATOR
- 9) FORWARD-VIEW HATCH WITH BUILT ARMORED COMPARTMENT
- 10) CLIMATE-CONTROLLED, ENGINE-COOLING, AIR DUCT VENTILATION SYSTEM

Peel and apply labels as shown.



- (1)
- (2)
- (3)
- (4/5)
- (6)
- (7)
- (8)
- (9)
- (10)

