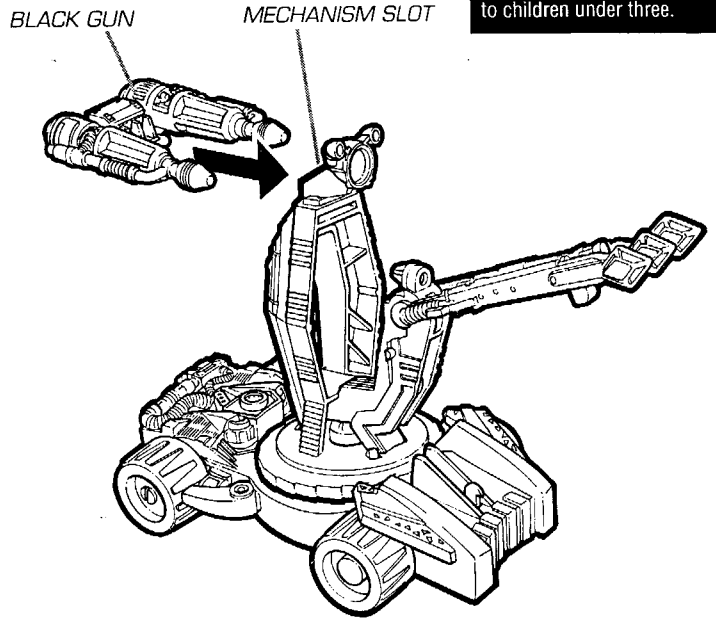
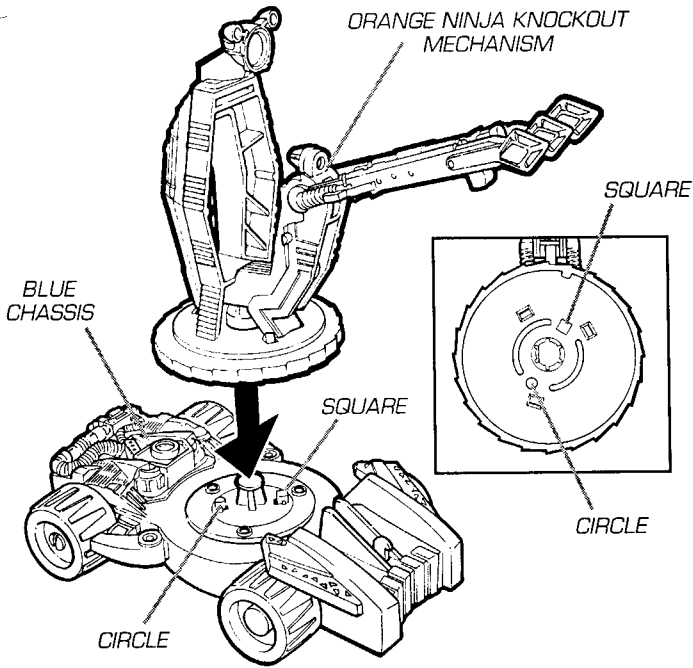


CONTAINS: Ninja Raider vehicle, figure, "Ninja Knockout™" mechanism, gun and label sheet.

WARNING

Contains small parts which may present a choking hazard to children under three.

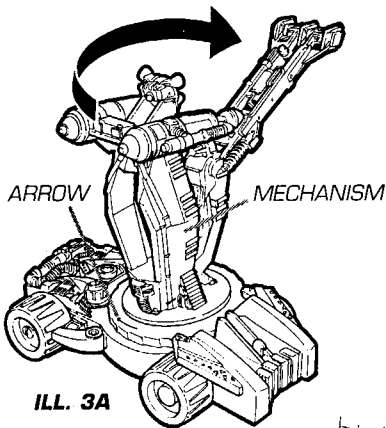


1 MECHANISM ASSEMBLY

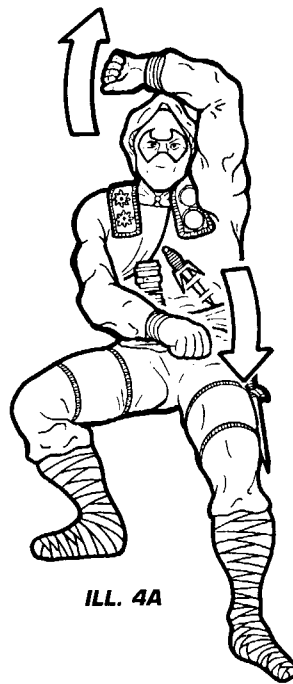
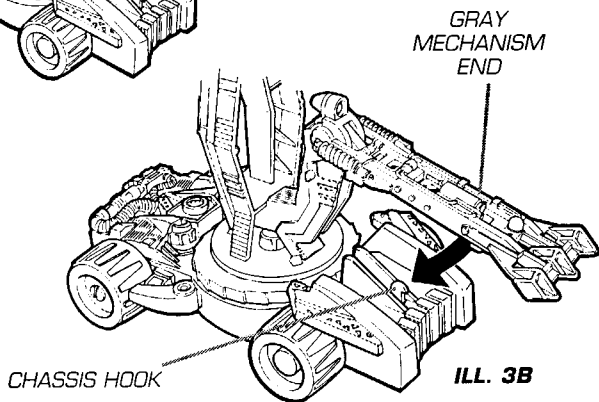
Line up the circle and square tabs on blue chassis with circle and square slots below orange "Ninja Knockout" mechanism. Snap mechanism down onto chassis.

2 GUN ASSEMBLY

Snap black gun tab onto mechanism slot as shown.



NOTE: When placing figure into vehicle, it is best to fit figure's hands onto vehicle posts so that figure remains in place during vehicle motion.



3 OPERATING MECHANISM

Following the direction of the mechanism arrow, rotate mechanism clockwise until it stops (ILL. 3A). Snap gray end of mechanism down into chassis hook (ILL. 3B). Roll vehicle forward to activate spinning "Ninja Knockout" mechanism.

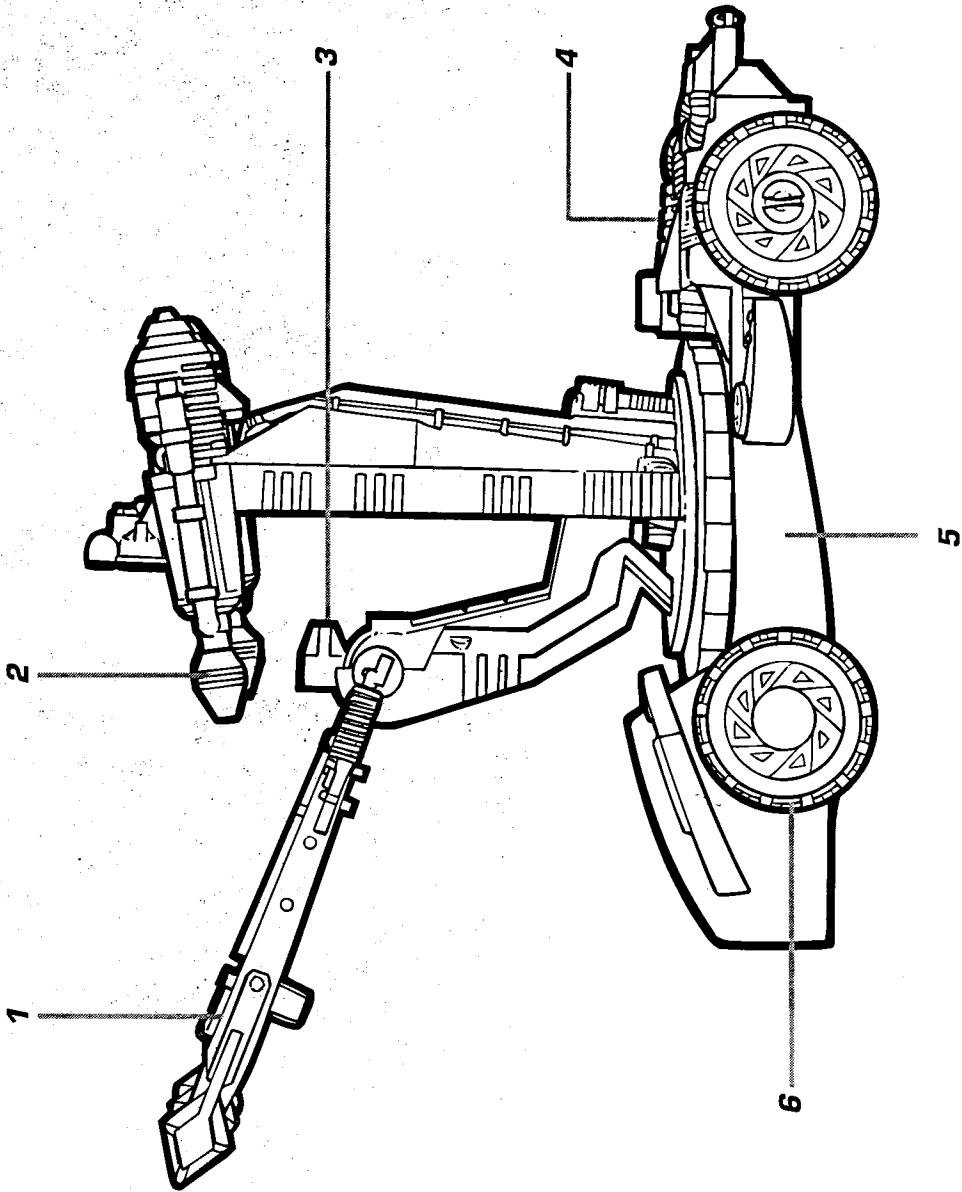
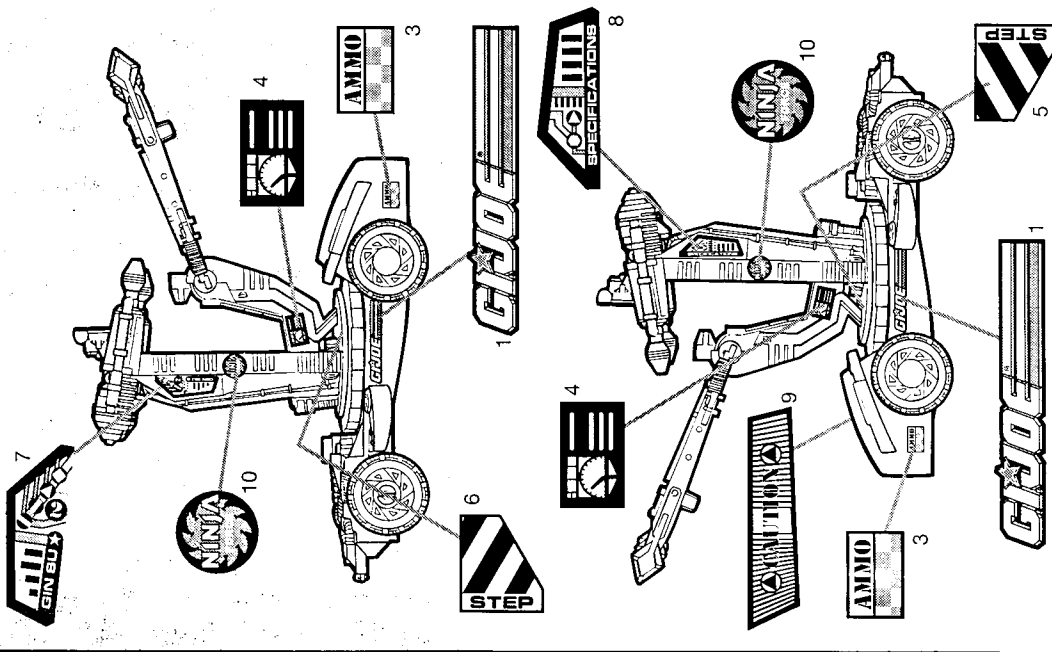
4 TGIN-ZU™ FIGURE INSTRUCTIONS

Raise either arm over figure's head and hold in position as shown (ILL. 4A). Release arm to activate Samurai Shave™ maneuver (ILL. 4B).

GIJOE[®]

A REAL AMERICAN HERO[™]

Peel and apply labels as shown.



PILE DRIVER[™] OFFICIAL G.I. JOE VEHICLE SPECIFICATIONS

- 1) SPINNING "NINJA KNOCKOUT[™]" HAMMER MECHANISM
- 2) TOP-MOUNTED, RAPID-FIRE MISSILE GRENADE GUNS
- 3) PIVOTING COMMAND OPERATIONS COCKPIT
- 4) SUPER-CHARGED DRIVE THRUSTERS WITH EXTERNAL TUBING
- 5) BAZOOKA-PROOF, BODY ARMOR PLATING
- 6) ALL-TERRAIN TIRES WITH STABILIZING SHOCK ABSORBERS

Product and colors may vary.
 Approximate size of vehicle is 9 1/2" L x 4 1/4" W x 6" H.
 ©1993 Hasbro, Inc., Pawtucket, RI 02862 U.S.A. All Rights Reserved.
MADE IN CHINA.
 6792 P/N 44246700