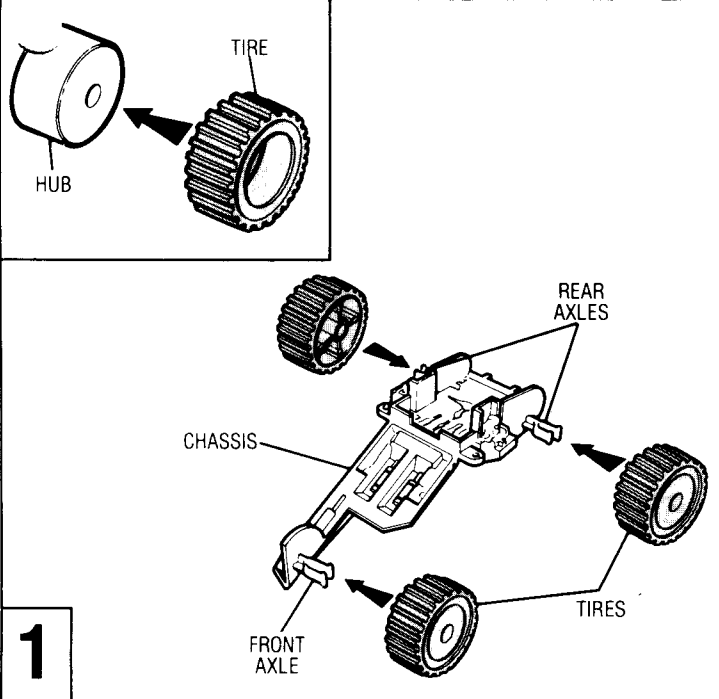


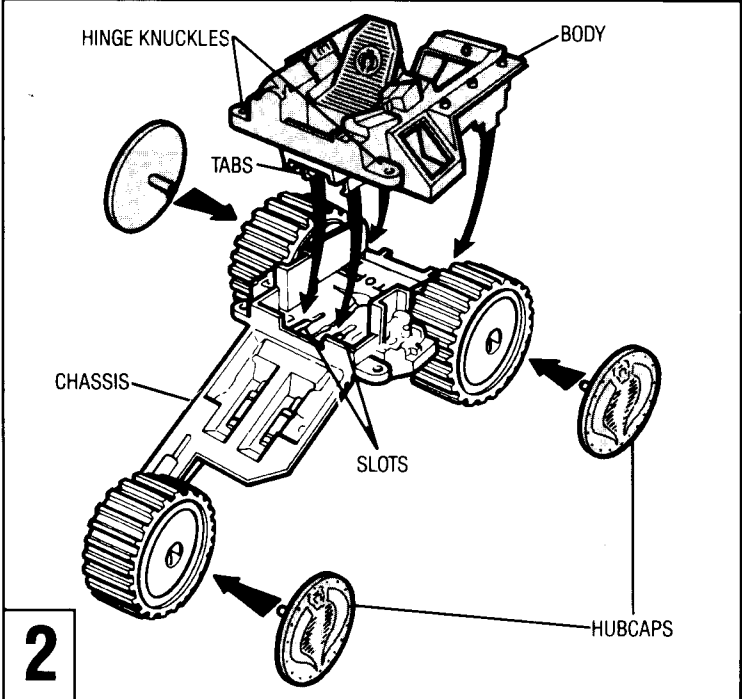
Remove all pieces from plastic frames. If you have difficulty use safety scissors.

TIRE INSTALLATION



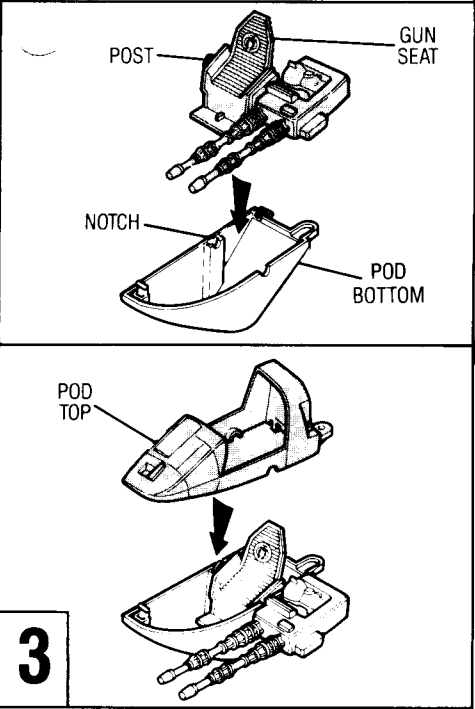
1

BODY ASSEMBLY



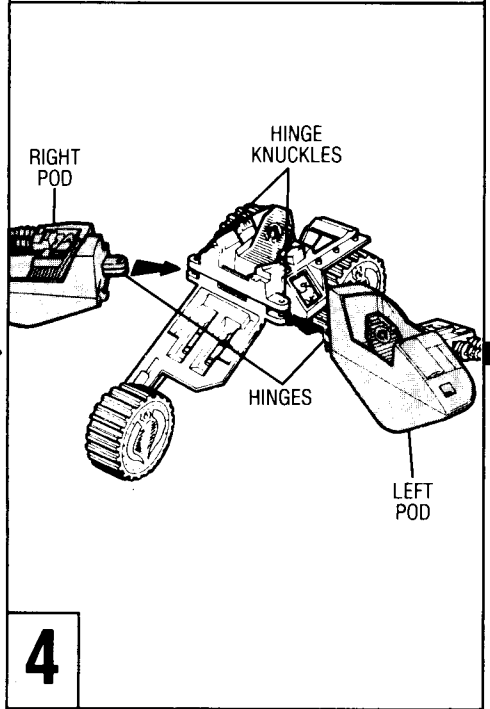
2

GUN SEAT ASSEMBLY



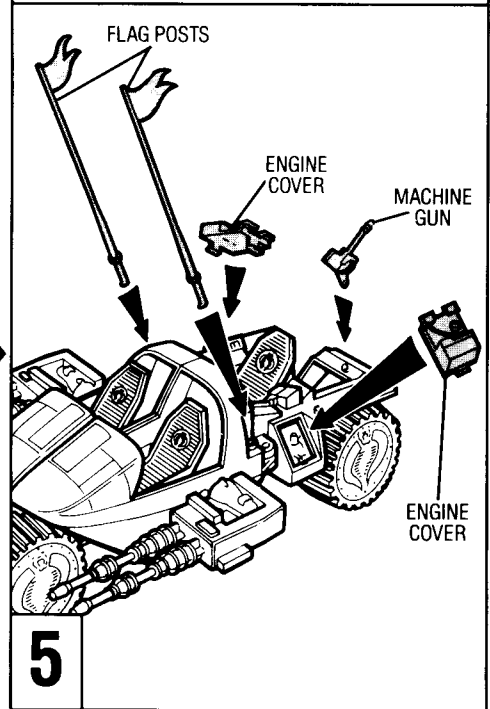
3

POD INSTALLATION



4

FLAG INSTALLATION



5

- Fit three tires over hubs as shown. (INSET) Snap hubs over front and rear chassis axles. (ILL. 1)
- Snap two rear tabs on underside of body into slots in top of chassis. Grasp hinge knuckles on body and chassis and snap front tabs into slots. NOTE: To keep Cobra hubcaps firmly attached to wheels, make sure Cobra head is straight up and pressed firmly over axle post. (INSET) (ILL. 2)
- Left and right pods and gun seats are marked "L" and "R". Place post on left gun seat into notch in left pod bottom. While holding gun seat in place, snap left pod top onto pod bottom. Repeat with right pod and right gun seat. (ILL. 3)
- Snap hinge on right pod between knuckles on right side of body. Repeat with left pod. (Pods lock into body for high speed attack positions. In battle mode, the front end splits and firing positions elevate!) (ILL. 4)
- With flags facing rear, tilt flag posts forward and push into holes in pods. Insert bottom tab on engine cover into engine compartment. Snap top tabs into place. Repeat with other side. (Engine covers are removable.) Snap machine gun into hole in rear dash. (ILL. 5)

PYTHON STUN

- 1) PP-107 SIDE PROTECTION BATTLE ARMOR WHEEL SHIELDS
- 2) ALL-TERRAIN CLIMBING PUNCTURE PROOF TIRES
- 3) CONVERTED "CONSTRUCTOR" TWIN ROTATING LASER CANNONS
- 4) FORWARD-MOUNTED MONO-WHEEL EXTENDED CHASSIS MEMBER
- 5) TARGET ACQUISITION/OPTIC SENSOR CANNON CONTROL HOUSING
- 6) REINFORCED NYLON TWIN PYTHON PATROL VICTORY FLAGS
- 7) SEPARATING "CAMO-SCALE" COVERED BATTLE BODY SHELLS
- 8) FIRE CONTROL/DRIVER COMMAND AND OPERATIONS COCKPIT
- 9) CONCEALED AND PROTECTED POLY-SAC FUEL CELLS
- 10) REAR-MOUNTED BATTLE COMMAND/NAVIGATIONS SEAT
- 11) MUNITIONS STORAGE/PERSONNEL TRANSPORTATION AREA
- 12) SIDE-MOUNTED TERRAIN DEFLECTION FENDER/PERSONNEL PLATFORM
- 13) "RECOIL" CIRCULAR MAGAZINE 7.62MM MACHINE GUN

