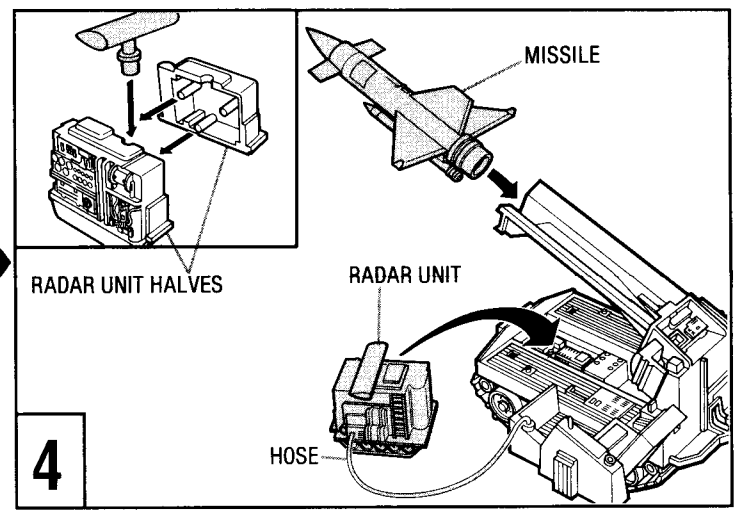
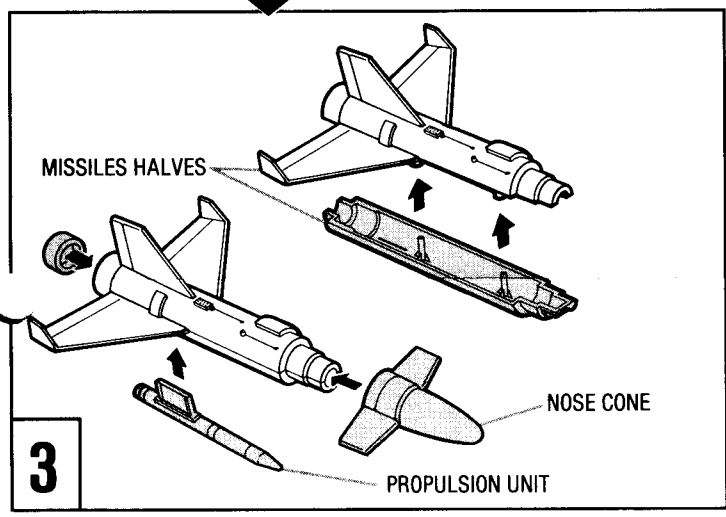
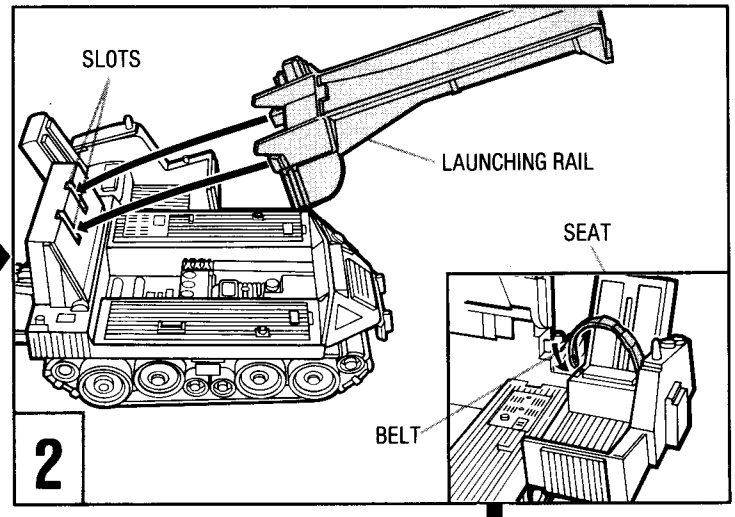
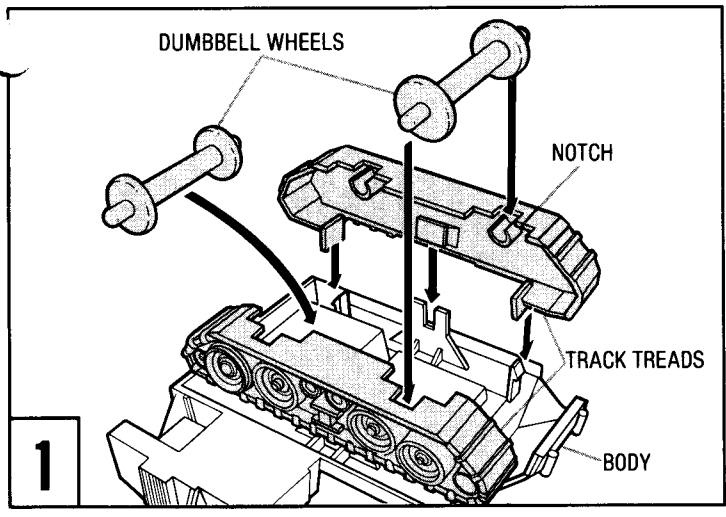


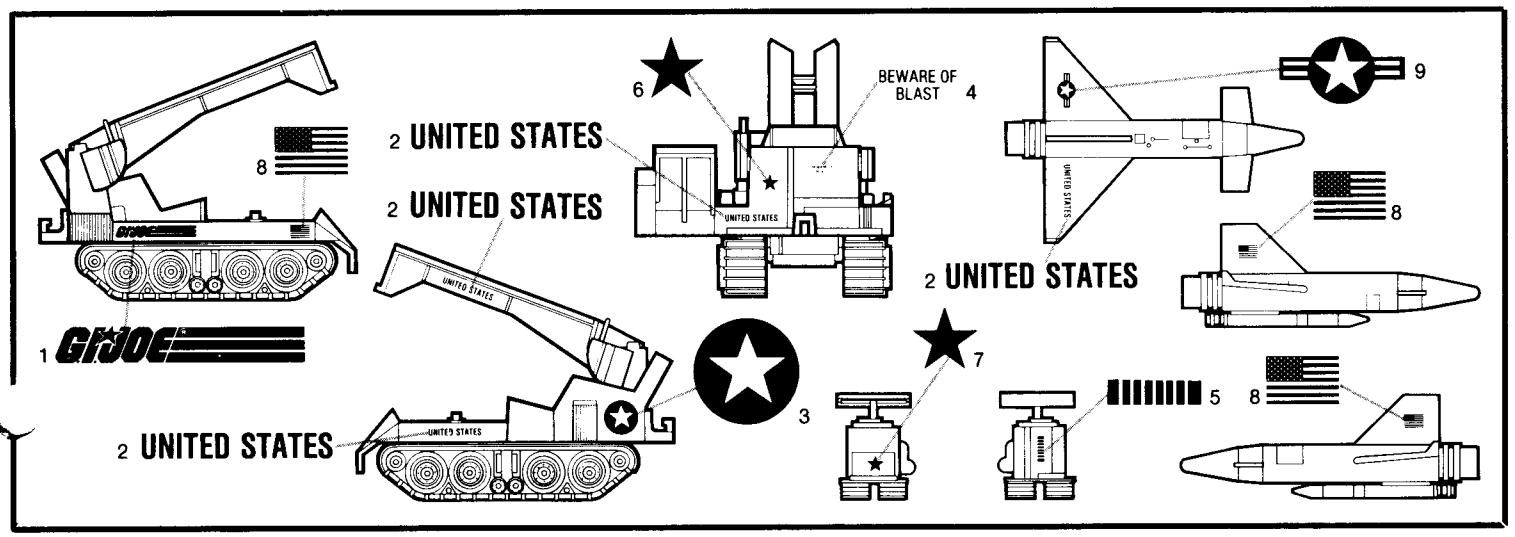
6285

R.P.V. INSTRUCTIONS

Remove all pieces from plastic frames. If you have difficulty, use safety scissors.



1. Turn body upside down. Snap tabs on right and left track treads through slots underneath body. Snap dumbbell wheels into notches on track treads. (ILL. 1)
2. Turn body right side up. Snap tabs on launching rail into slots on body rear. Insert the ends of seat belt into holes in sides of seat. (INSET) (ILL. 2)
3. Snap missile halves together. Snap nose cone on missile front end. Fit exhaust funnel onto missile rear. Fit tab on propulsion unit into slot underneath missile body (ILL. 3)
4. Snap radar unit halves together. Snap radar detector into hole in top of radar unit (INSET). Fit hose into radar unit and side of main body. Slide missile onto launching rail. Radar unit stores underneath launching rail. (ILL. 4)



REMOTE PILOTED VEHICLE

1. SATELLITE DATA LINK/CONTOUR MAPPING RADAR
2. INERTIAL GUIDANCE PLANAR CONTROL SURFACES
3. TERMINAL HOUSING SENSORS/RADAR
4. "QUICK-BURN" OB-206 SECONDARY LIQUID PROPELLANT ENGINE
5. DELTA-SPEED PRIMARY LIFTING FOIL
6. "COPPERHEAD" CH-99 AIR-BREATHING TURBOFAN ENGINE
7. ROTATIONAL RESPONSE-FEEDBACK TRANSMITTER
8. REMOTE LB-109 "LITTLE BROTHER" FIRE CONTROL RADAR STATION
9. SEMI-ACTIVE RADAR PROGRAMMABLE SENSORS/CONTROL
10. STEEL LOAD BEARING CORE MISSILE RACK
11. "LOCK-ON" FIRE CONTROL RADAR UMBILICAL INTERFACE
12. FIRE CONTROL OPERATORS PERSONNEL SEAT
13. HYDRAULICALLY-OPERATED MISSILE RACK ELEVATION DRIVE UNIT

