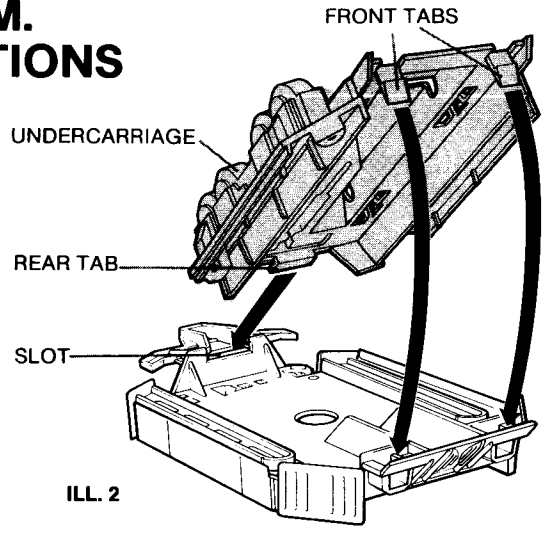
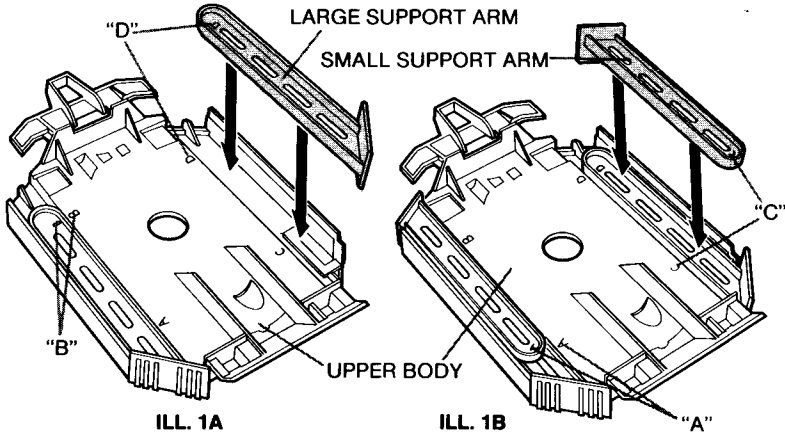


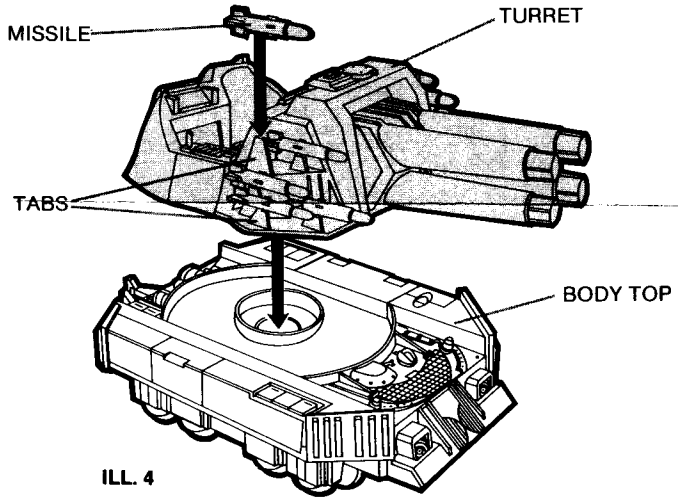
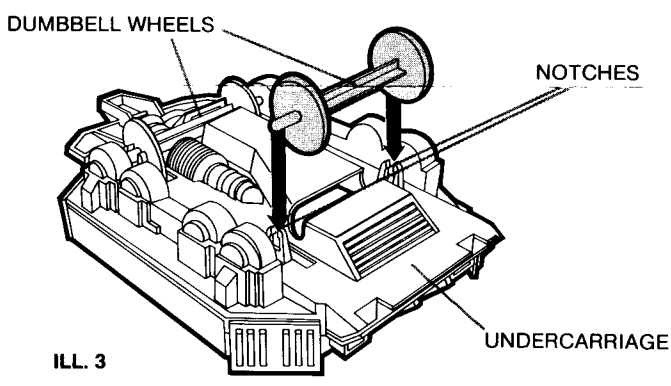
Remove all pieces from plastic frames. If you have difficulty, use safety scissors.

S.L.A.M. INSTRUCTIONS



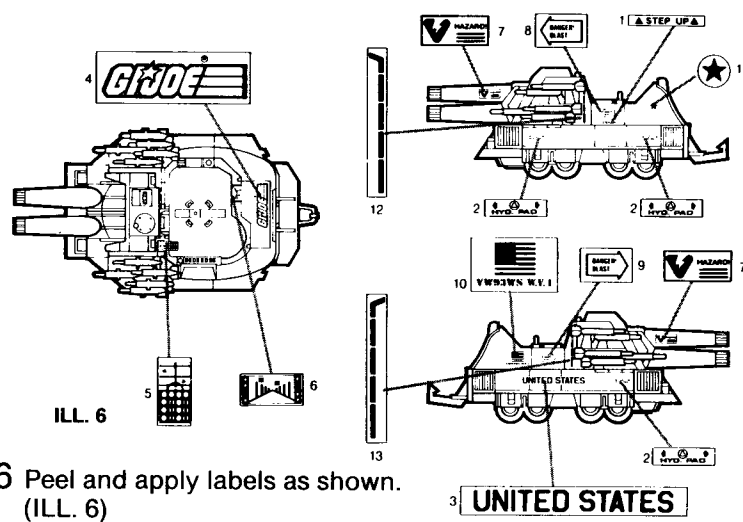
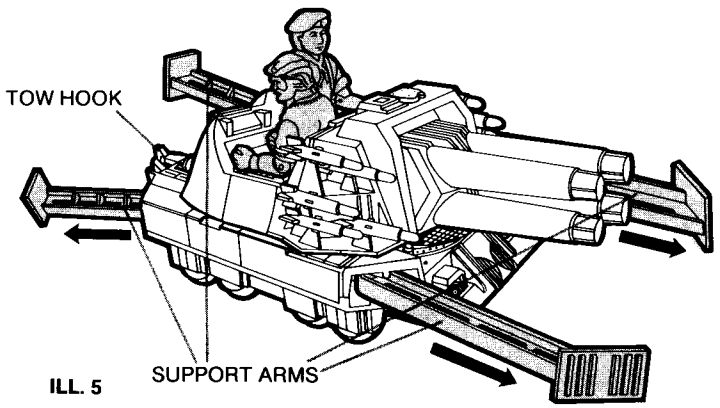
1 **A** Turn upper body upside down. Line up **LARGE** support arms (marked B & D) with letters marked on body. Make sure letters match as shown in ILL. 1A. **B** Place **SMALL** support arms, (marked A & C) OVER large support arms, making sure letters line up with "A & C" on body. See ILL. 1B.

2 Fit rear tab on undercarriage into slot in upper body. Snap front tabs into place. (ILL. 2)



3 Snap posts on dumbbell wheels into notches on undercarriage. (ILL. 3)

4 Turn vehicle right side up. Snap turret into hole in body top. Fit missile slots over tabs on turret sides. (ILL. 4)



5 Place 2 Joe figures in turret seats. Slide support arms out for battle mode or tow G.I. Joe vehicles with tow hook! (ILL. 5) (Figures sold separately.)

6 Peel and apply labels as shown. (ILL. 6)

G.I. JOE S.L.A.M.

- 1) TITANIUM ALLOY/MICROMESH ARMORED TURRET
- 2) FIRE CONTROL MONITOR/BALLISTICS COMPUTER
- 3) FIRE CONTROL PERSONNEL SEAT
- 4) TURRET ROTATION/TARGET ACQUISITION SEAT
- 5) TARGET ACQUISITION COMPUTER
- 6) AUTO-LOAD/AMMO. CONTAINMENT HOUSING
- 7) "BARRAGE" THERMAL NIGHT VISION CONTROL MINI-MISSILES
- 8) TUBE-OVER-BAR SUSPENSION SYSTEM
- 9) "SLIDER" HYDRAULICALLY-OPERATED SUPPORT ARMS
- 10) "DUG-IN" SUPPORT ARM FEET
- 11) "FOUR-UP" 90MM. CANNONS
- 12) 600 HP. ENGINE/HYDROSTATIC TRANSMISSION
- 13) DUST-ELIMINATING ENGINE INHILATOR

