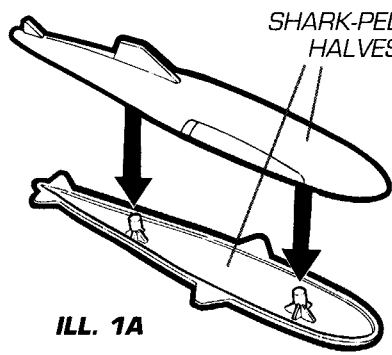


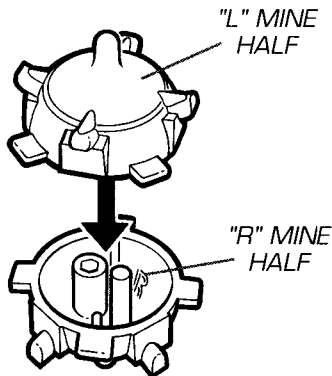
CONTAINS: Shark 9000, figure, missile launcher, 2 "Shark-Pedoes™", 4 mines, 2 rubber bands, water tube, spoons, water cannon, accessories and label sheet.

WARNING

Contains small parts which may present a choking hazard to children under three.

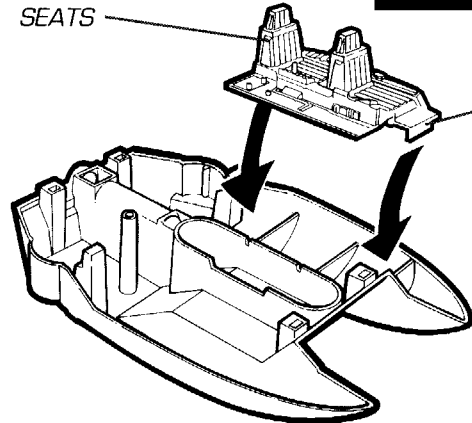


ILL. 1A



ILL. 1B

BLUE COCKPIT SEATS



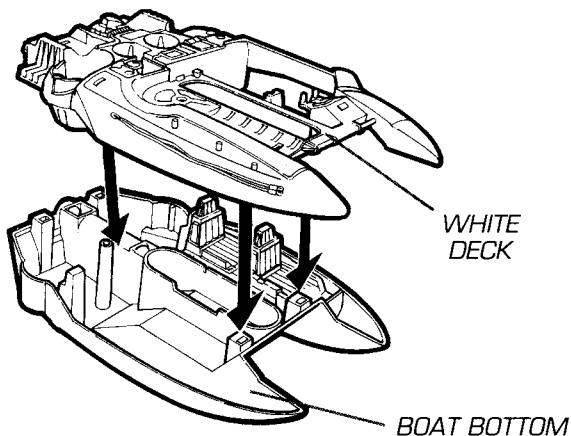
POSITION FRONT TAB BETWEEN 2 RIBS IN BOAT BOTTOM

1 SHARK-PEDO/MINE ASSEMBLY

Align Shark-Pedo™ halves and press black posts into holes as shown (ILL. 1A). Repeat process with red mine halves as shown. (ILL. 1B).

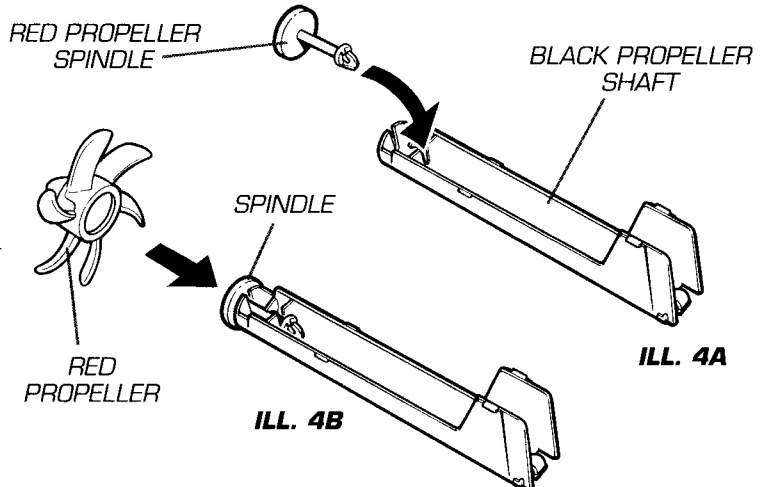
2 COCKPIT INSERTION

Insert blue cockpit seats into left side of white boat bottom with front tab positioned between ribs as shown.



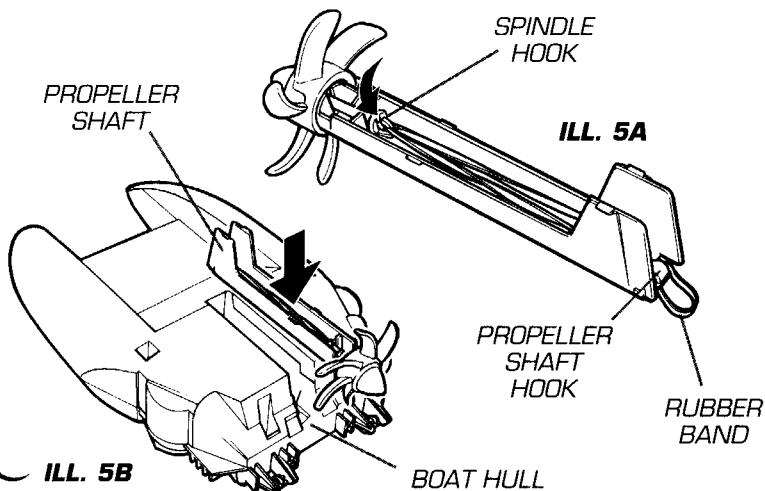
3 DECK ASSEMBLY

Position white deck over boat bottom and blue cockpit seats. Snap deck into place.



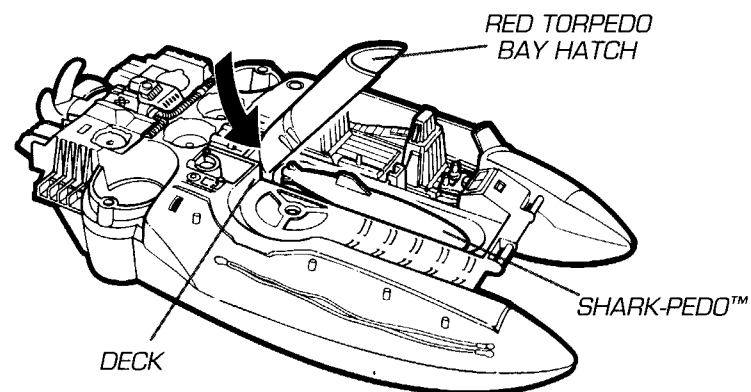
4 PROPELLER ASSEMBLY

Insert red propeller spindle into black propeller shaft as shown (ILL. 4A). Snap red propeller onto end of spindle (ILL. 4B). Propeller should spin freely in this position.



ILL. 5B

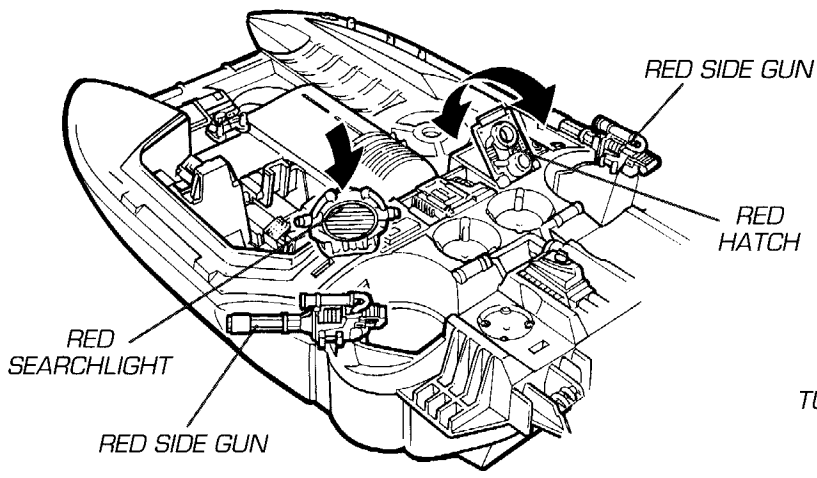
BOAT HULL



5 PROPELLER ASSEMBLY CONT.

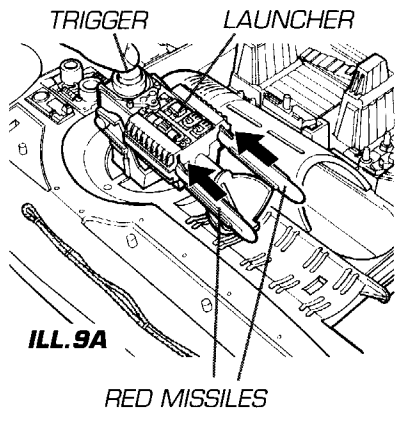
Loop rubber band onto spindle hook and onto propeller shaft hook as shown (ILL. 5A). For best results, 2 rubber bands are recommended. Turn boat over and insert propeller shaft into boat hull and snap in place as shown (ILL. 5B).

6 TORPEDO BAY ASSEMBLY
Snap red torpedo bay hatch into deck as shown. Store "Shark-Pedoes™" under hatch.

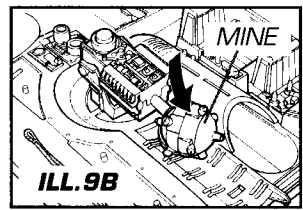


7 SEARCHLIGHT/WATER RESERVOIR/SIDE GUN ASSEMBLY

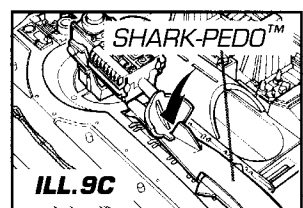
Insert red searchlight post into hole behind cockpit. Insert red reservoir hatch tabs into deck slots as shown. Hatch is designed to open and close. Insert red gun post into deck hole as shown and repeat for other side.



ILL. 9A



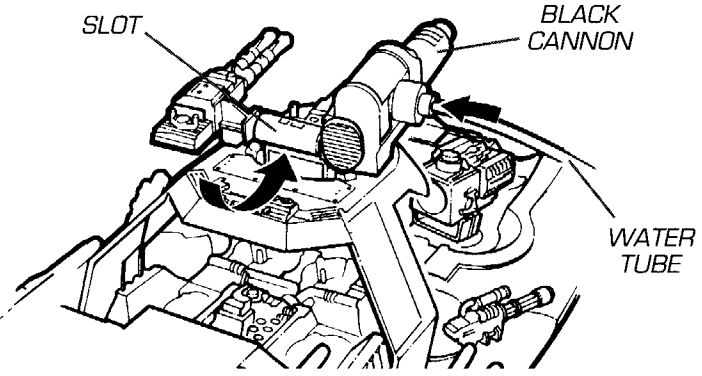
ILL. 9B



ILL. 9C

9 FIRING LAUNCHER

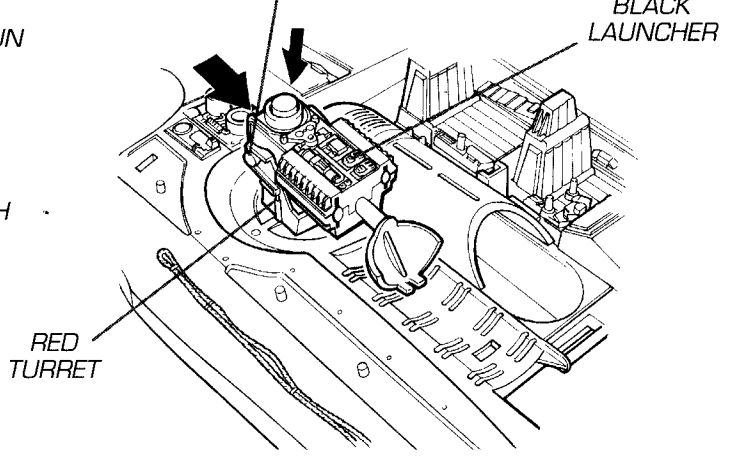
While holding the back of the launcher to provide stability and support, push in on plunger to set launcher in its locked, "ready-to-fire" position. Insert red missile(s) into barrel(s) as shown, press trigger to fire (ILL. 9A). Launcher can also deploy mines (ILL. 9B) and "Shark-Pedos" (ILL. 9C) with plunger set in locked position. **CAUTION:** Do not point launcher at eyes or face.



11 WATER CANNON ASSEMBLY

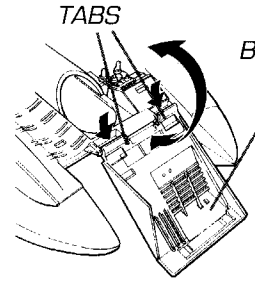
Insert black cannon post onto blue flying bridge slot as shown. Insert end of water tube into side of cannon.

BLACK LAUNCHER POST

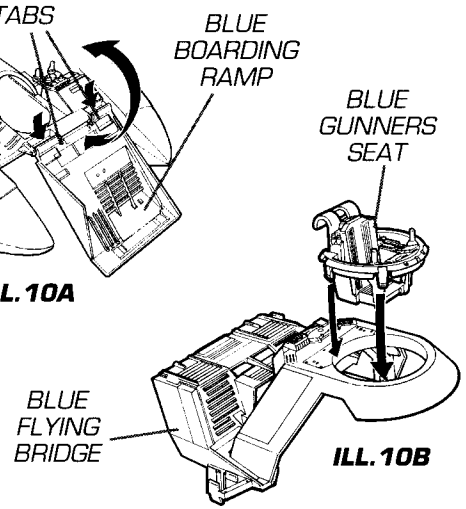


8 LAUNCHER ASSEMBLY

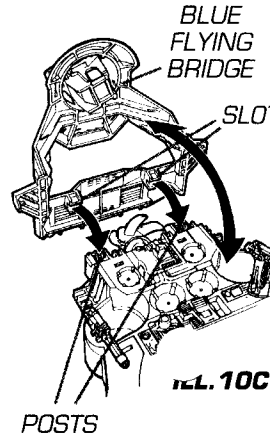
Insert red turret post into deck hole (next to torpedo hatch) as shown. Insert black launcher posts into turret slots as shown.



ILL. 10A



ILL. 10B

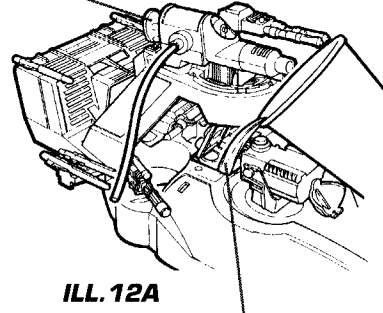


ILL. 10C

10 BOARDING RAMP/FLYING BRIDGE ASSEMBLY

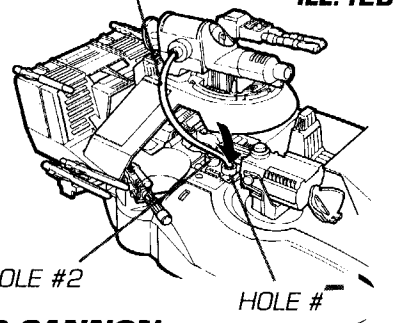
Snap blue boarding ramp tabs onto white front posts as shown (ILL. 10A). Ramp can be lowered or raised into position. Snap blue gunner's seat into blue flying bridge (ILL. 10B). Snap the blue flying bridge slots onto the white posts at back of boat (ILL. 10C). Bridge can be positioned up or down.

PLUNGER



ILL. 12A

TUBE



ILL. 12B

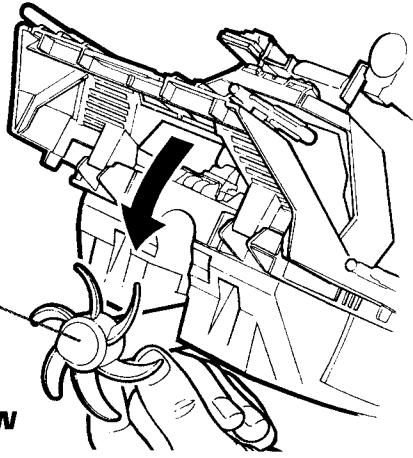
12 SQUIRTING WATER CANNON

Fill water reservoir with water (ILL. 12A). Insert end of tube into hole #1 (ILL. 12B). Push in plunger repeatedly until water begins to squirt. When boat is placed in water, the cannon's water supply can be drawn from below by inserting end of tube into hole #2.

ILL. 13A

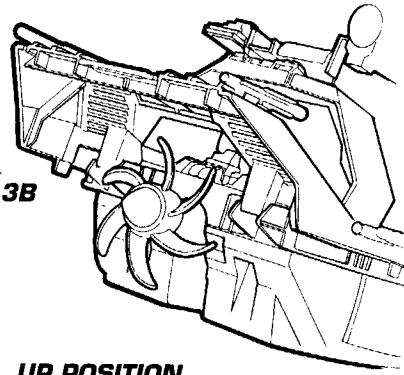
PROPELLER SHAFT

DOWN POSITION



ILL. 13B

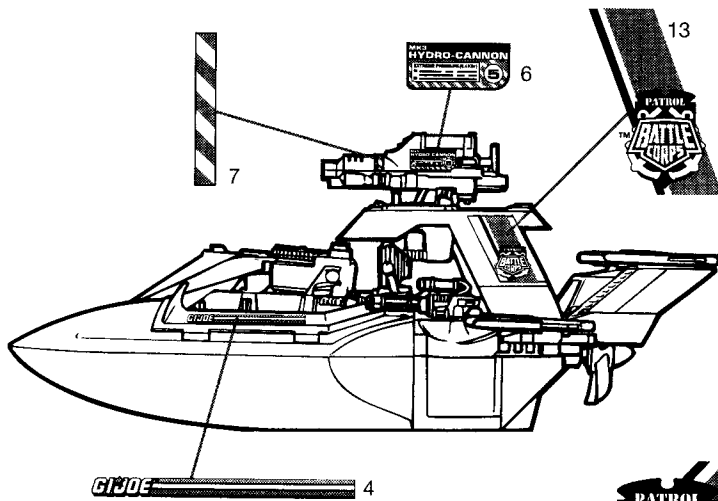
UP POSITION



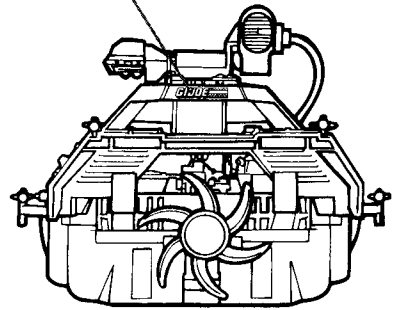
13 OPERATING PROPELLER

Lower propeller into "down" position by carefully squeezing end of propeller shaft and pulling downward as shown (ILL. 13A). Wind propeller until you feel it getting tight (approximately 55-65 times), then hold in place. Place boat in water and release propeller. To play with boat out of water, place propeller and shaft back into the "up" position (ILL. 13B).

Peel and apply labels as shown.



11 GIBOE

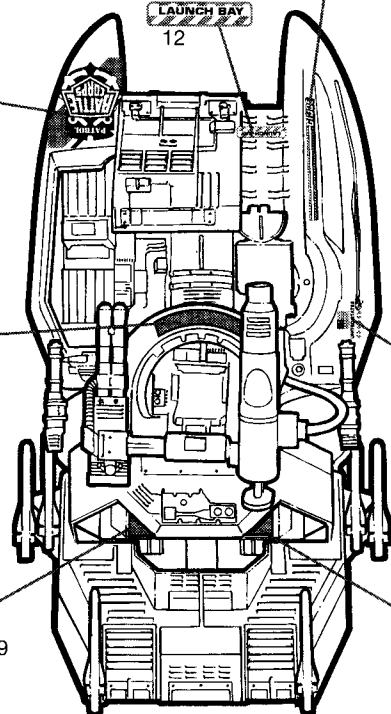


GIBOE 4

GIBOE 5



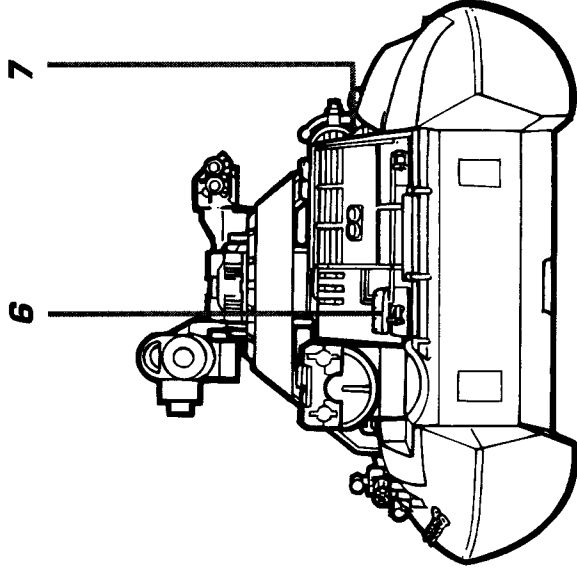
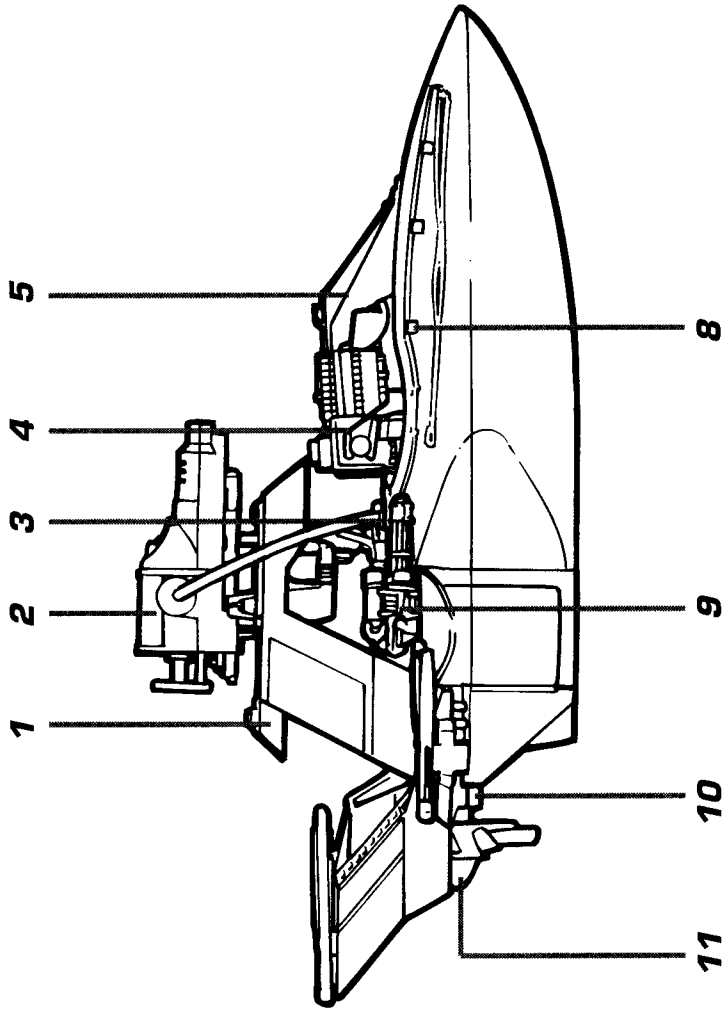
PATROL CRAFT 3



1 LAUNCH BAY 9

2 LAUNCH BAY 8

10 UNITED STATES



SHARK 9000™

OFFICIAL G.I. JOE VEHICLE SPECIFICATIONS

1. FLIP-TOP FLYING BRIDGE WITH GUNNER'S SEAT
2. WATER SHOOTING CANNON WITH DIRECT-FEED AMMO TUBES
3. BACKUP WATER RESERVOIR FOR LAND BASED ASSAULTS
4. SPRING-FIRE "AQUA-ATTACK" MISSILE LAUNCHER
5. FLIP-DOWN FRONT BOARDING RAMP
6. "SHARK-PEDO" STORAGE BAY
7. TWO PERSON CONTROL COCKPIT
8. SURE-GRIP DECK SUPPORTS HOLD 4 ADDITIONAL G.I. JOE® FIGURES
9. TWO SIDE MOUNTED H2O-X1 MACHINE GUNS
10. TWO POSITION DIRECT-DRIVE PROPELLER SHAFT
11. HIGH-TECH, "MOTORIZED" SPEED PROP

Product and colors may vary.
 Approximate size is 16½" L x 8" W x 6¾" H.
 © 1993 Hasbro, Inc., Pawtucket, RI 02862 U.S.A. All Rights Reserved.
MADE IN USA. FIGURE MADE IN CHINA
 6867 P/N 43687501