

Ages 5 and up.

Kenner

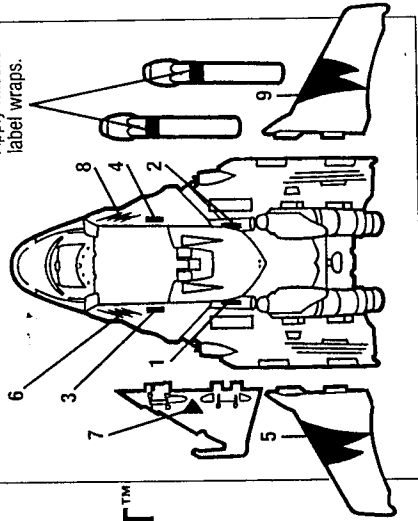
SKY STALKER JET™ VEHICLE Instruction Sheet

⚠ WARNING:

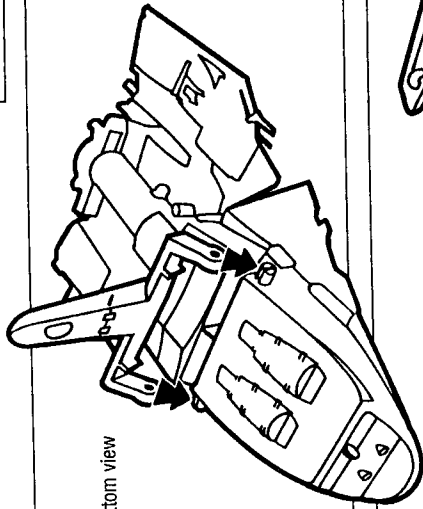
CHOKING HAZARD-Small parts.
Not for children under 3 years.

1. Using label numbers and this illustration as a guide, apply labels to unassembled parts as shown.

Apply missile label wraps.



Bottom view



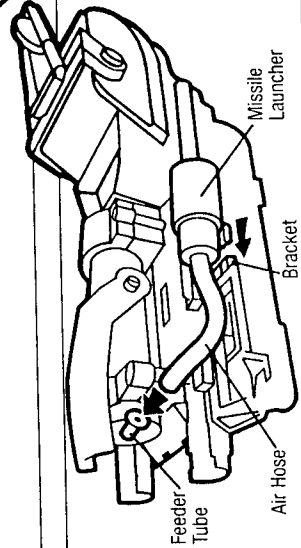
2. Attach the front handle/landing skid to the vehicle by placing one side at a time over the tabs on the bottom of the vehicle.



3. In the same way as in instruction number two, place the rear handle onto the tabs located on the bottom rear of the vehicle.

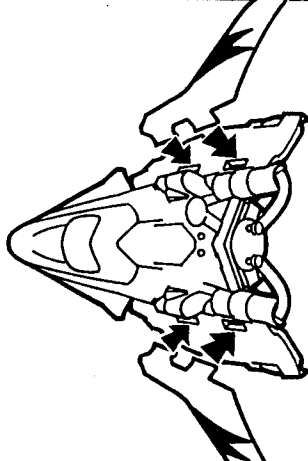


4. Slide missile launcher into its bracket and slide the air hose over the feeder tube on both sides of the plane.



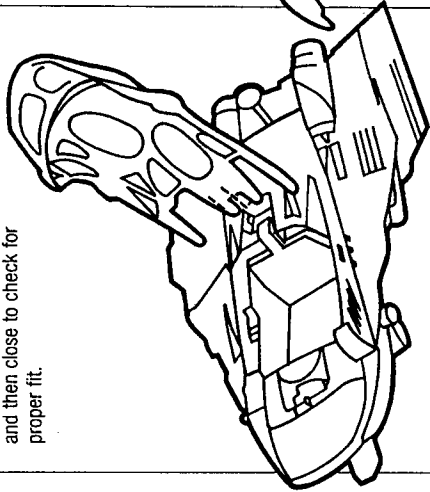
Bottom view

6. Snap wing tips down into place on both sides of the plane as shown.

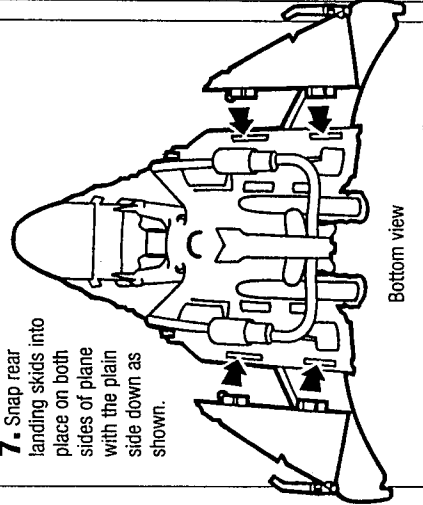


Top view

5. Snap canopy into holes and then close to check for proper fit.

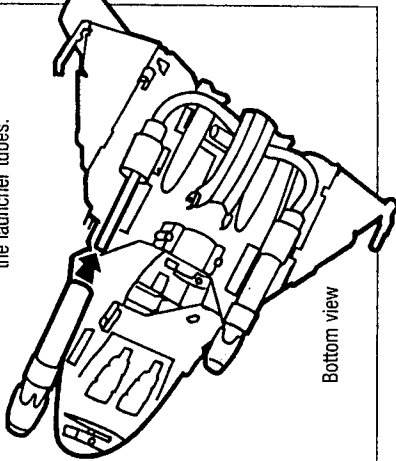


7. Snap rear landing skids into place on both sides of plane with the plain side down as shown.



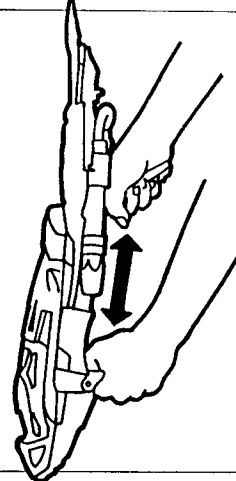
Bottom view

8. Place missiles onto the launcher tubes.

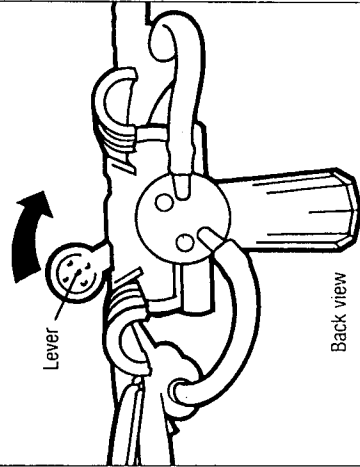


Bottom view

10. To fire missile, hold handles under plane. Slowly pull handles apart. Quickly push together to fire missile. Reload missile to shoot again or switch lever to shoot opposite missile.



9. Place lever to the left to fire right missile and to the right to fire left missile.



Back view