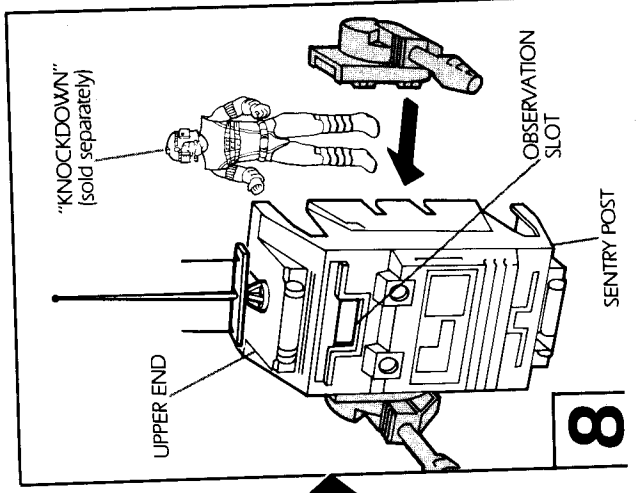
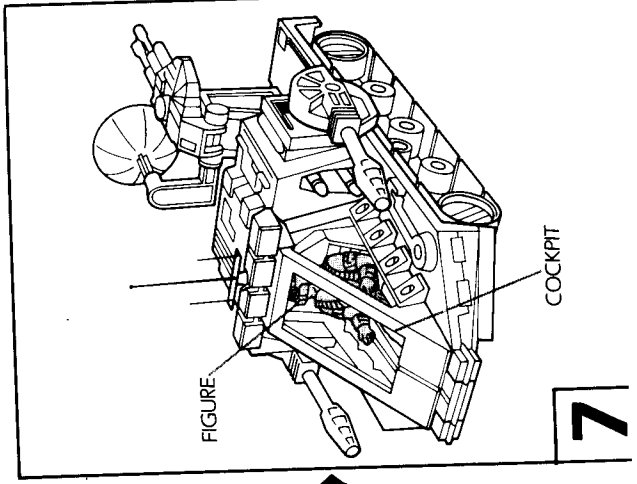
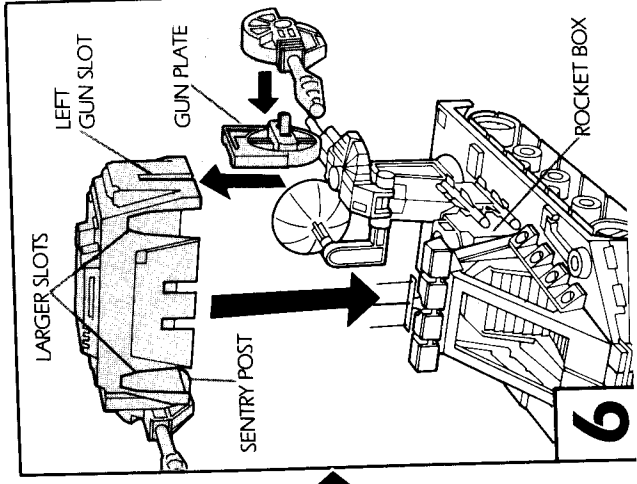
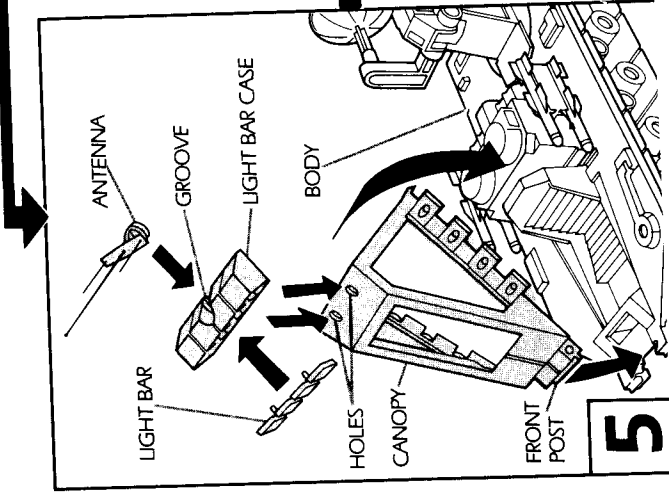
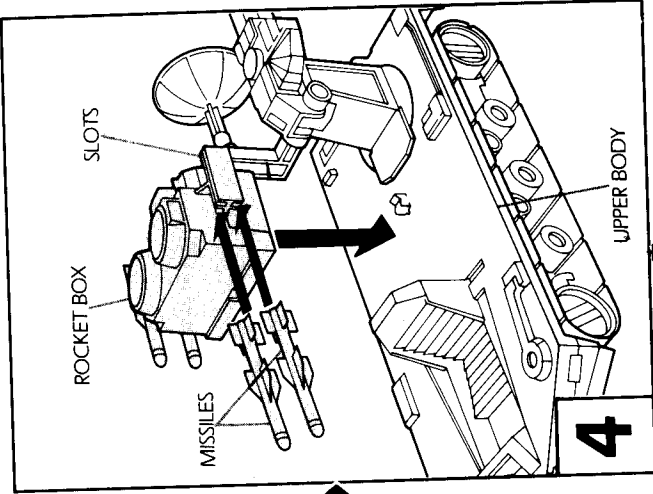
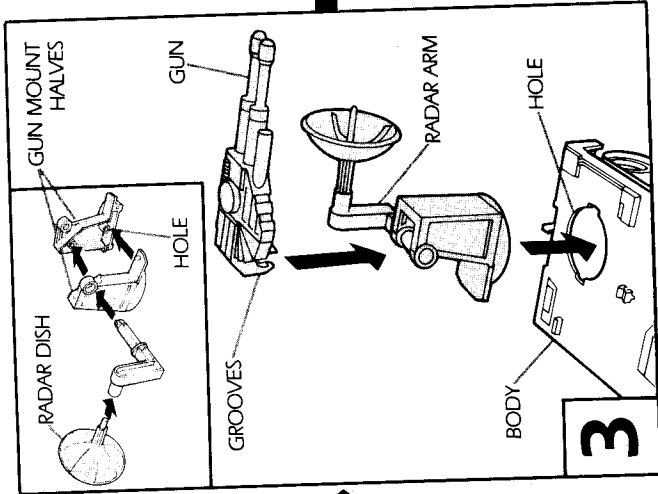
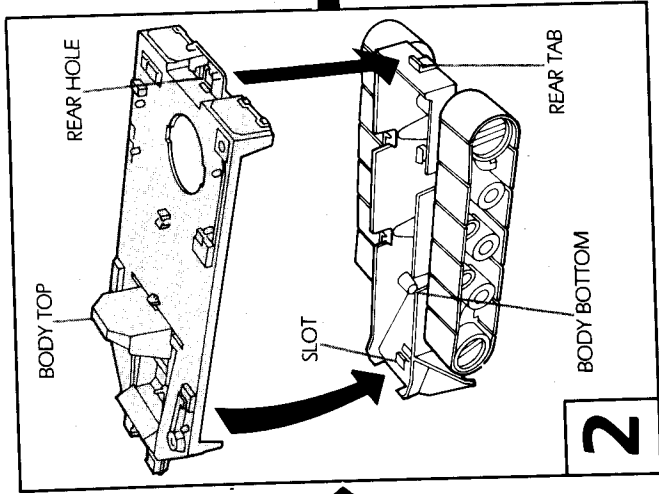
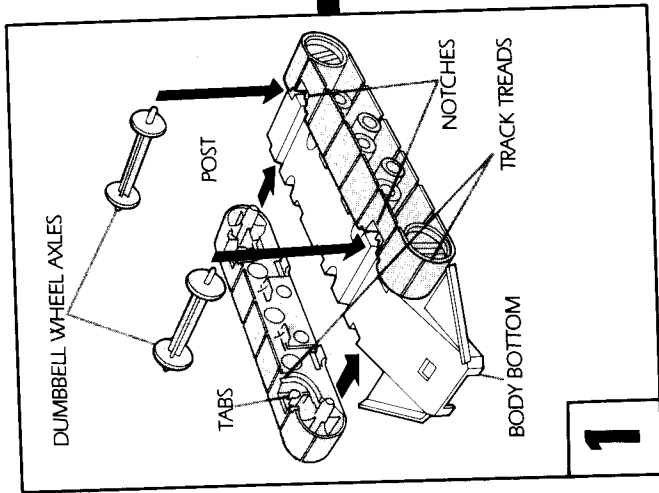


Remove all pieces from plastic frames. If you have difficulty, use safety scissors.

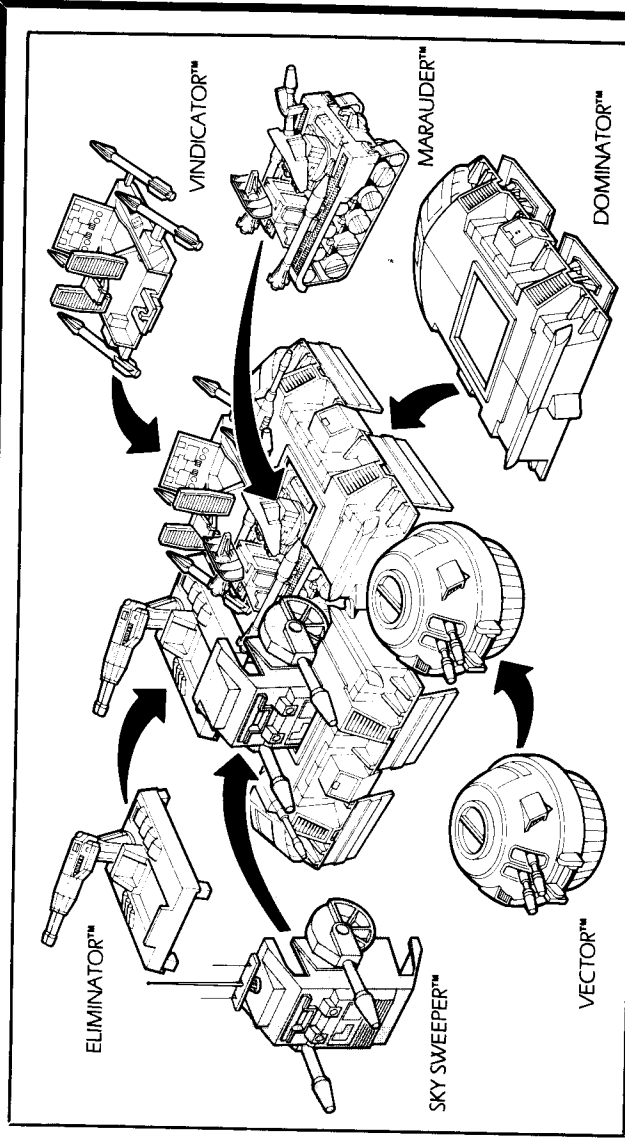


1. Turn body bottom upside down. Locate track tread with notches facing up as shown; slide posts on tread into holes in body side, then snap tabs into notches. Repeat for other side. Snap dumbbell wheel axes into notches. (ILL. 1)
2. Turn body bottom right side up. Fit rear tab on body bottom into rear hole in body top, then swing body top down and snap tab into slot. (ILL. 2)
3. Press gun mount halves together. Slide post on radar arm through hole in left side of gun mount as shown. Fit post on radar dish into hole in radar arm. (INSET) Snap grooves on gun onto radar arm post. While pointing gun to the left, fit gun mount into hole in body and snap down firmly to secure.
4. Attach rocket box onto upper body. Slide missiles into slots in rocket box. (ILL. 4)
5. Snap front posts on canopy into body, then swing rear down and snap into body. Fit light bar into light bar case. Press light bar case into holes in top of canopy. (ILL. 5)
6. Locate right and left side guns (marked R & L) and snap onto respective gun plates also marked R & L. Slide left gun into slot on left side of sentry post marked "L" on inside. Repeat with right side. With larger slots facing forward, snap sentry post over rocket box and onto body. (ILL. 6)
7. Fit Battle Force 2000 figure into front cockpit or into Sentry Post when removed from vehicle (see step #9). (Sky Sweeper driver, KNOCKDOWN™, sold separately.) (ILL. 7)
8. Remove Sentry Post. Remove side guns from Sentry Post. Stand upright with observation slot at upper end. Attach guns to sides. Remove antenna from light bar case and slide into slot on top of sentry post. Fit BF 2000 figure on foot peg within Sentry Post. Sentry Post can be utilized as a guard house, or as one of the principle battle units of the indestructible BF 2000 Future Fortress!

FUTURE FORTRESS INSTRUCTIONS:

Collect all 6 Battle Force 2000 vehicles to form the ultimate stronghold . . . Future Fortress™!

The six prototype attack vehicles combine to form the most indestructible stronghold in the world . . . the Battle Force 2000 Future Fortress™! Dominator's side walls open, creating the fortress' battle emplacements. With the emplacements secured, Vector's battle turret jettisons from the fighter and lands in between the wall to form the corner! To safeguard the left emplacement with flank firepower, Sky Sweeper's Sentry Post stands guard behind the emplacement with its powerful cannons poised for action! While providing tactical air cover during the fortress' "link-up" operations, Vindicator's rocket sled is ejected from the craft and deployed on the fortress' northeast flank! Marauder's tank churns through the mud to secure itself behind Dominator's right battle emplacement, ready to open fire on the Cobra invaders! Just as Marauder's tank assumes its battle station, Eliminator's highly lethal battle platform moves in behind the tank to complete the fortress' formation! With Battle Force 2000's futuristic combat capabilities, G.I. Joe can destroy Cobra™ once and for all!



SKY SWEEPER

- 1) ENDOATMOSPHERIC DEFENSE SCANNER RADAR
- 2) "RERUN" DUAL 20MM REPEATING AUTO-LOAD CANNONS
- 3) BIO-FIT SINGLE SEAT DRIVER OPERATIONS STATION
- 4) VINYL POLYMER COATED PROTECTIVE CANOPY
- 5) "QUAD-MOUNT" HIGH-INTENSITY XENON SPOTLAMPS
- 6) FLEXIBLE TACTICAL GROUND STATION RADAR TRANSMITTER
- 7) DIRECTED "ZAP" ENERGY LASER-GUIDED WEAPON
- 8) "OUTPOST" TACTICAL PERSONNEL PROTECTION/REMOTE-CONTROL BATTLE STATION
- 9) BLASTPROOF ELECTRONIC SENSOR/INFRA-RED MOTION DETECTOR
- 10) TERMINAL GUIDANCE SENSORS/SMOKE GENERATORS
- 11) HEAVY GRATING PERSONNEL OPERATIONS PLATFORM
- 12) SHOCK-DAMPENING REINFORCED GUN MOUNTS
- 13) NON-CLOGGING COVERED BOGEY SYSTEM/TRACK DRIVE UNIT
- 14) "JANE" (JAM AND NEUTRALIZE ENEMY) RADAR HOMING TACTICAL MISSILES

