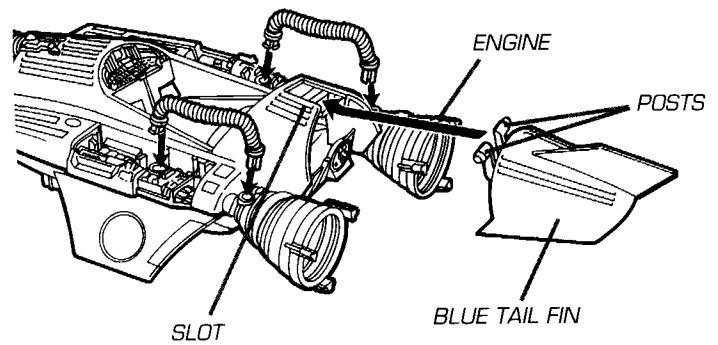
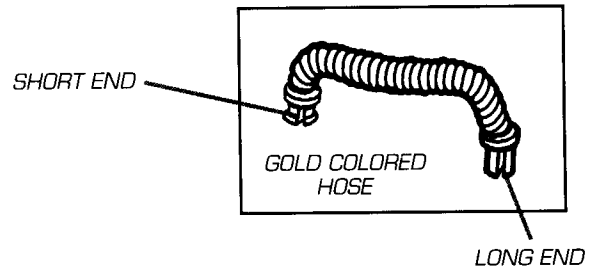
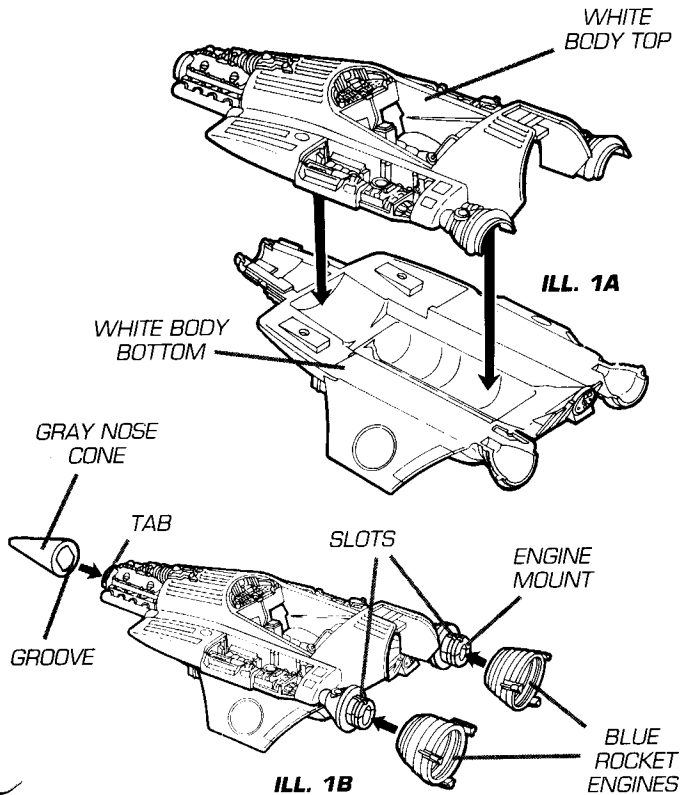


**WARNING**  
Contains small parts which  
may present a choking hazard  
to children under three.

**REQUIREMENTS:** Body top and bottom, nose cone, tail fin, canopy, 2 hoses, 2 engines, 4 rockets, launcher, figure, label sheet.

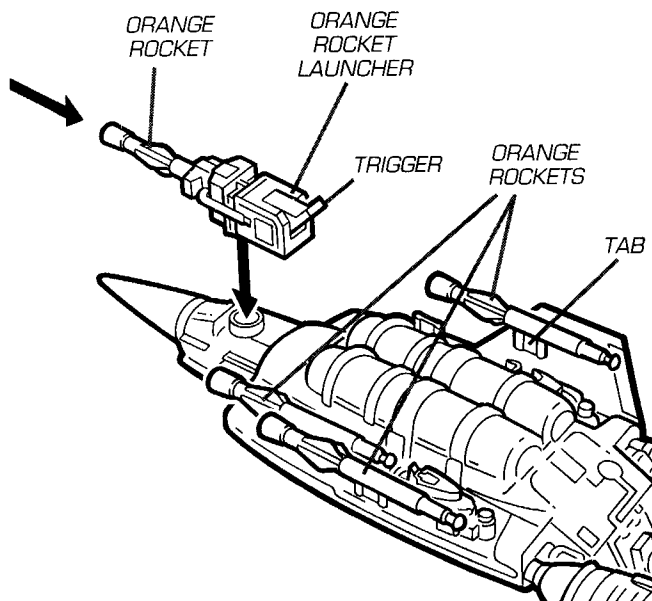


### 1. BODY ASSEMBLY

Snap white body top into white body bottom as shown (ILL. 1A). Fit gray nose cone onto front end of plane with groove on nose cone aligned with front tab. Line up notches on blue rocket engines with slots in engine mounts, then fit together. (ILL. 1B)

### 2. HOSE TAIL FIN ASSEMBLY

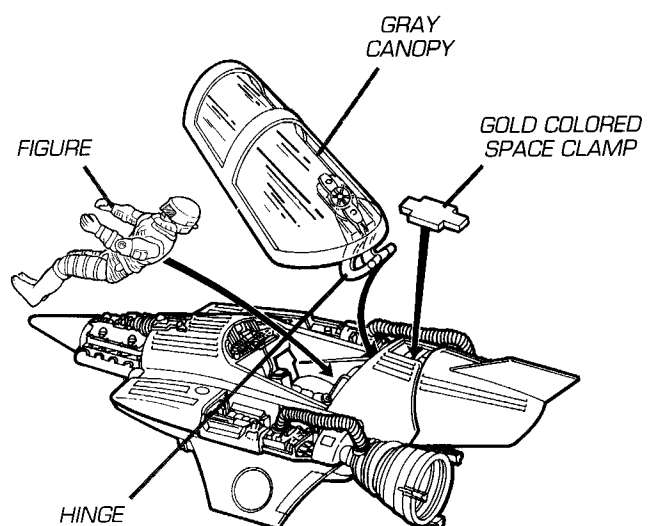
With long end of gold colored hose (see inset) positioned closer to engine, fit hose ends into body holes as shown. Repeat with other hose. Fit posts on blue tail fin onto slot at rear of plane.



### 3. ROCKETS AND LAUNCHER ASSEMBLY

Turn plane upside down. Fit orange rockets onto tabs on wings and body. Fit orange rocket launcher onto plane as shown. Insert orange rocket into barrel and lock in place. To fire, press trigger.

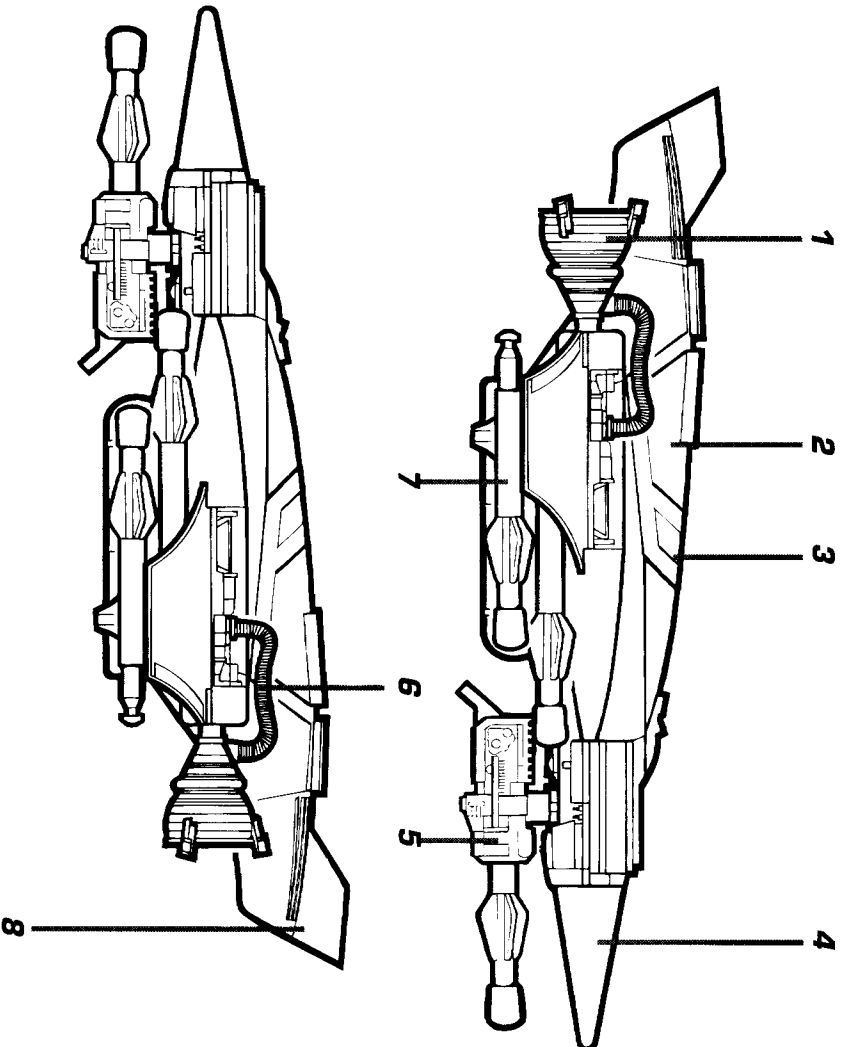
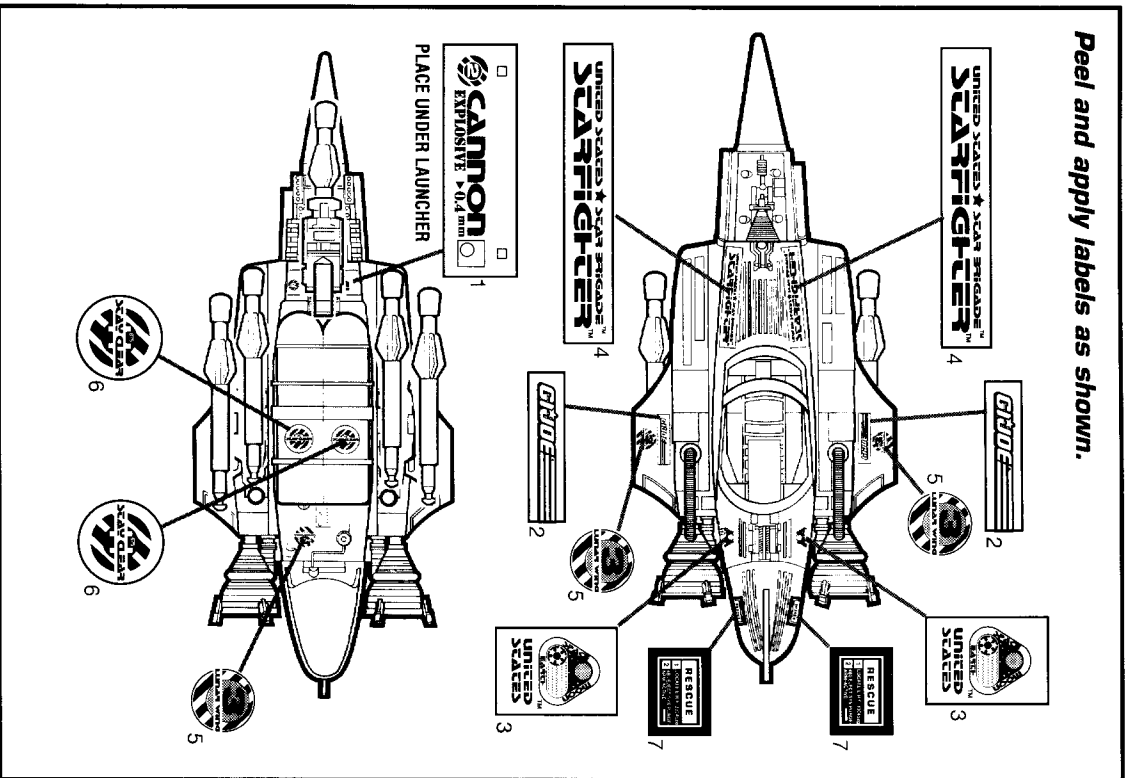
**CAUTION: DO NOT AIM WEAPON AT EYES OR FACE.**



### 4. CANOPY ASSEMBLY

Turn plane right side up. Hook canopy hinge into space in rear of cockpit, then swing gray canopy down into place. Fit gold colored space clamp over hinge as shown. Open canopy to insert SCI-FI® pilot.

Peel and apply labels as shown.



1. TWO LIQUID-COOLED ROCKET ENGINES
2. OPENING FIGHTER PILOT CANOPY
3. NAVIGATIONAL CONTROL SYSTEMS COMPUTER
4. HEAT-RESISTANT NOSE CONE WITH INTERNAL RADAR
5. ROCKET LAUNCHING LASER CANNON
6. TWO FUEL SUPPORT/COOLANT HOSES
7. FOUR STARBLASTER LASER ROCKETS
8. PIVOTING TAIL FIN/LANDING GEAR

## STARFIGHTER™ OFFICIAL G.I. JOE™ VEHICLE SPECIFICATIONS

Product and colors may vary.  
 Approximate size of vehicle is 1 3/8" L x 5" W x 2 3/4" H.  
 ©1993 Hasbro, Inc., Pawtucket, RI 02862 U.S.A. All Rights Reserved.  
 MADE IN USA. FIGURE MADE IN CHINA.  
 6948 P/N 44336600