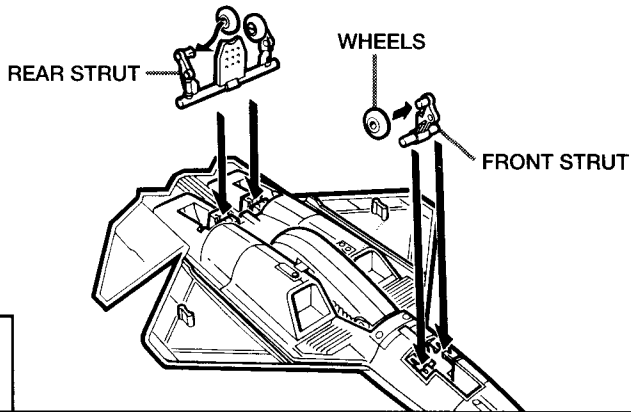


Includes: Jet, canopy, three wheels, two strut assemblies, four missiles, plug.

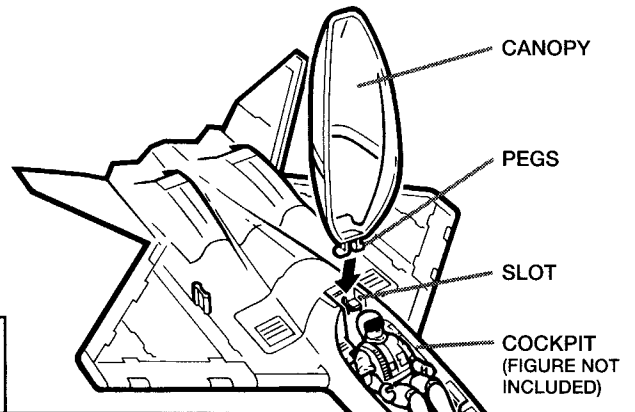
6755

### STRUT ASSEMBLY/INSTALLATION



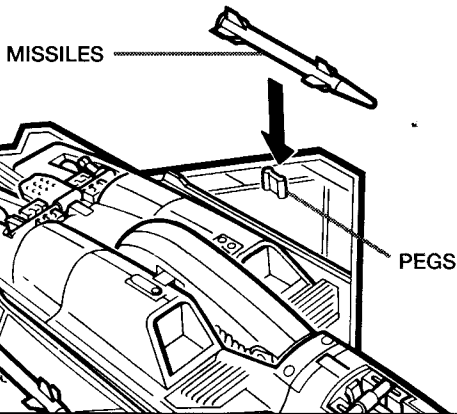
1

### CANOPY ASSEMBLY



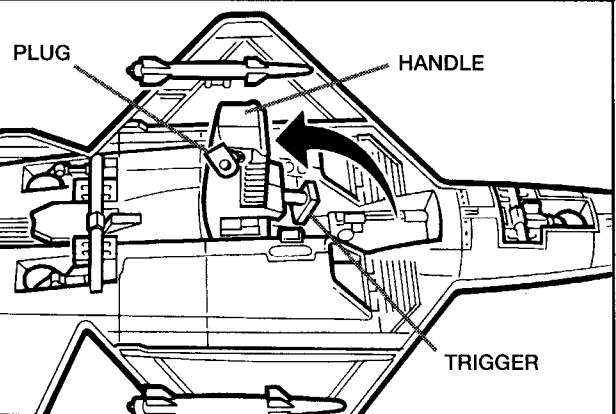
2

### MISSILE INSTALLATION



3

### HOW TO LOAD WATER

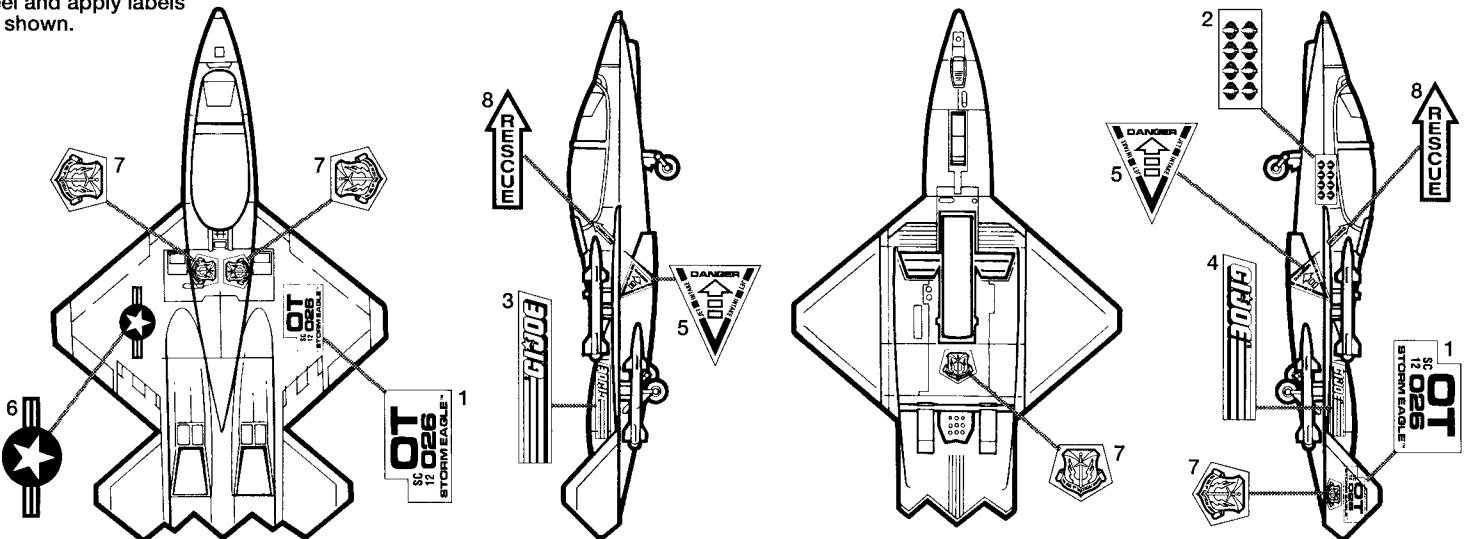


4

- 1 Turn jet upside down. Snap wheels onto struts. Then snap strut assemblies into place as shown. (ILL. 1)
- 2 Turn jet right side up. Snap Pegs on canopy into slot behind cockpit. To send a member of the G.I. Joe® team (not included) on a mission, lift canopy and place figure in seat as shown. (ILL. 2)
- 3 Fit slots in missiles over pegs on bottom of jet as shown. (ILL. 3)
- 4 Swing handle down and remove plug. Fill hole with tap water. Insert plug. To fire, squeeze trigger repeatedly until water shoots from nose of jet. (ILL. 4)

©1991 Hasbro, Inc., Pawtucket, RI 02862 U.S.A. All Rights Reserved. Made in U.S.A. 6755/6237 P/N 42484900

Peel and apply labels as shown.



# **G.I. JOE<sup>®</sup> STORM EAGLE A.T.F.F. (ADVANCED TACTICAL FIGHTER)**

## **OFFICIAL G.I. JOE VEHICLE SPECIFICATIONS**

- 1) NOSE CONE WITH INFRARED VIDEO SURVEILLANCE SYSTEM
- 2) HIGH IMPACT NOSE CANNON WITH "LIQUID FIRE" LASER BEAM
- 3) PROGRAMMABLE RADAR DATA SCAN CONVERTER WITH MULTI-MODE DISPLAY OF TERRAIN CONDITIONS
- 4) RETRACTABLE PNEUMATIC LANDING GEAR WITH OLEO-NITROGEN SHOCK ABSORBERS
- 5) ELEVATING CANOPY WITH SPECIALLY REINFORCED ANTI-GLARE COMPOSITE
- 6) FOUR AIR-TO-SURFACE ELECTRO-OPTICAL LASER GUIDED TACTICAL MISSILES
- 7) HYDRAULICALLY POWERED, FLIP DOWN IN-FLIGHT HANDLE
- 8) DOUBLE-SLOTTED AEROFLO WINGS WITH SUPERCritical ALLOY-REINFORCED MULTI-DIRECTIONAL FLAPS
- 9) REAR AFTERBURNING TURBOFAN RATED AT 122kN (27,500 lb. st.)

