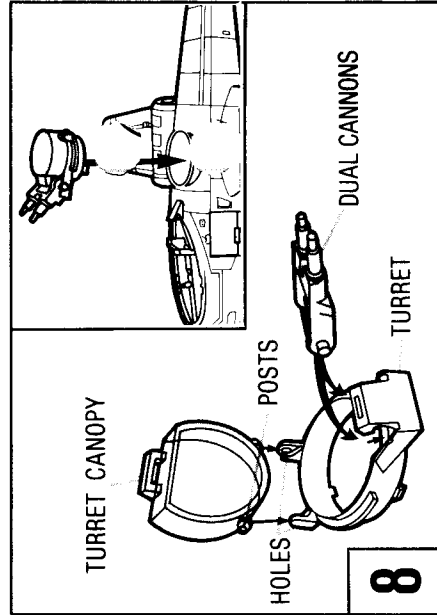
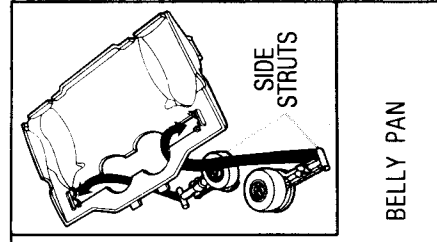
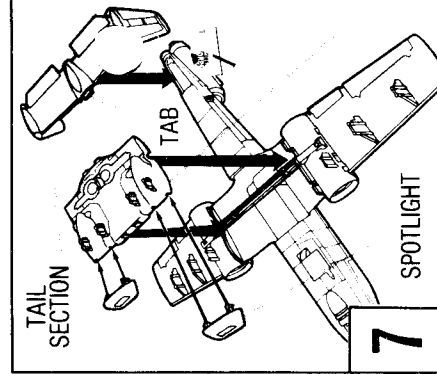
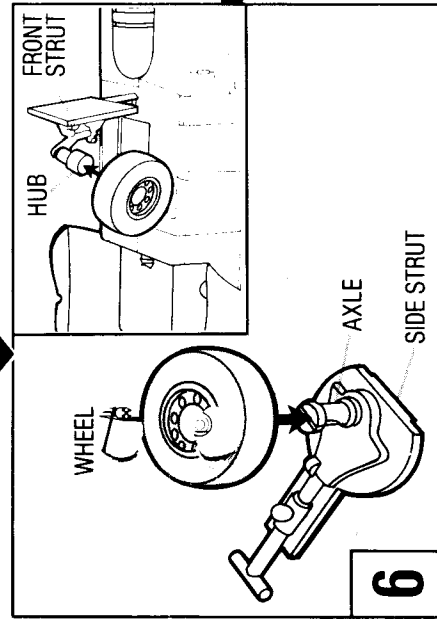
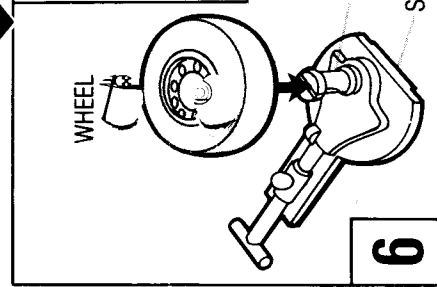
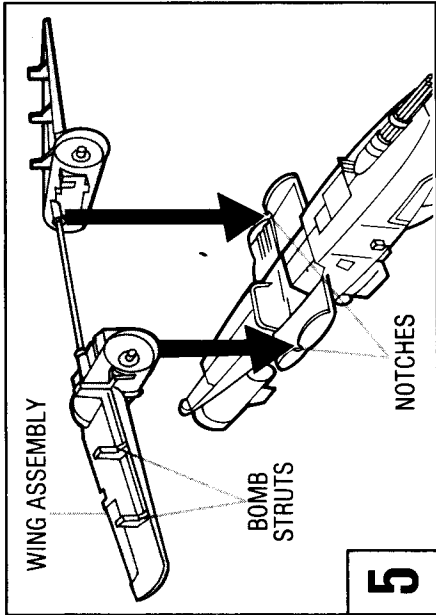
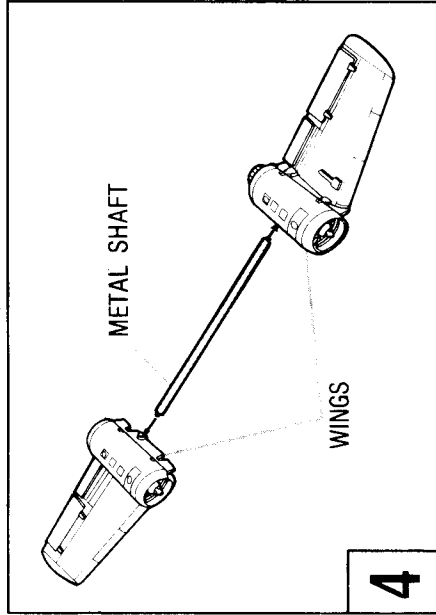
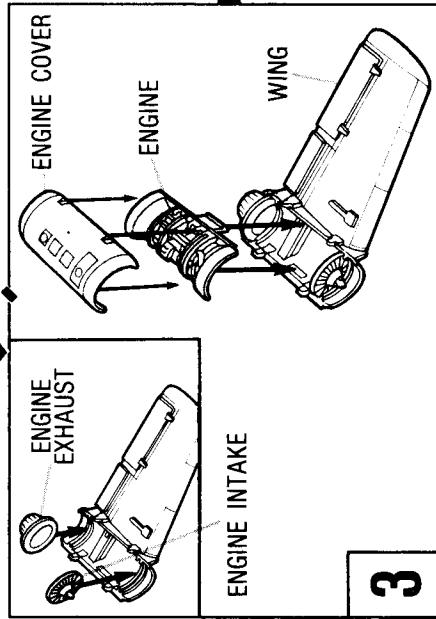
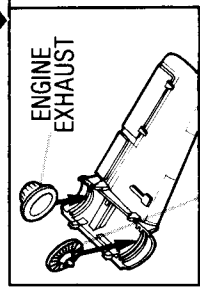
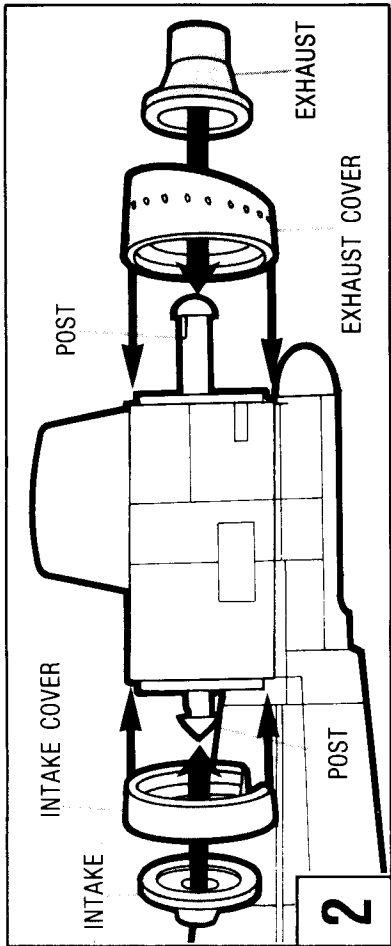
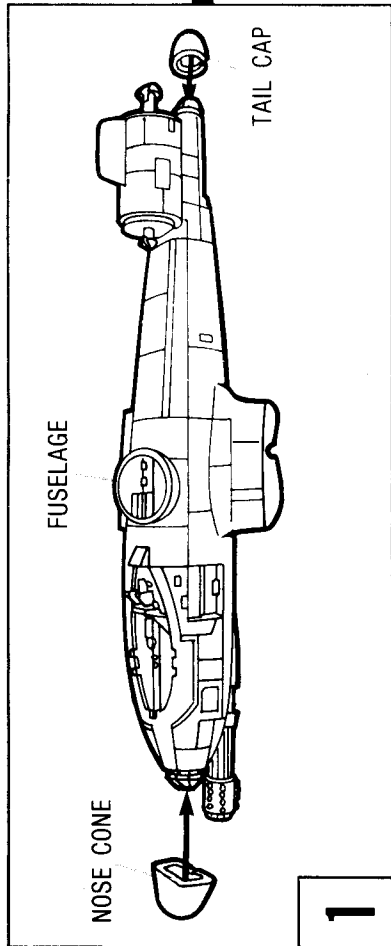
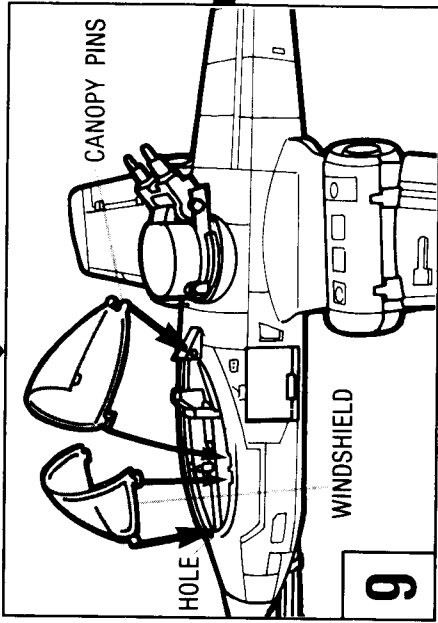
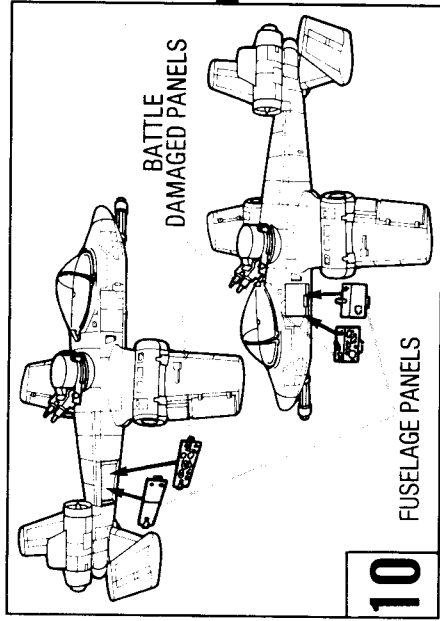


Remove all pieces from plastic frames. If you have difficulty, use safety scissors.

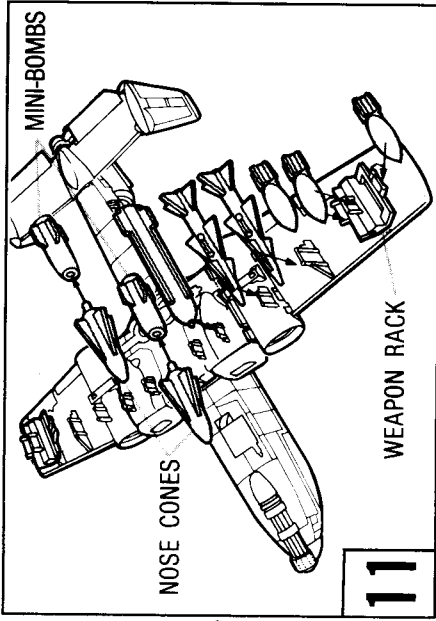




9



10



11

1. Snap nose cone onto front of fuselage. Snap tail cap onto rear of fuselage. (NOTE: Be sure to align slot on nose cone and tail cap with tabs on fuselage.) (ILL. 1)
2. Fit intake cover over ridge on front of tail. Angle intake into position and snap over posts as shown. Fit exhaust cover over back of tail and rotate until it clicks into place. Snap exhaust over post. (ILL. 2)
3. Place engine intake and engine exhaust into slots as shown. Repeat with other wing. (INSET) Snap each engine and engine cover into place. (ILL. 3)
4. Push ends of metal shaft into holes in wings as shown. (ILL. 4)
5. Place wings into notches on bottom of fuselage. Make sure bomb struts are facing the bottom and toward the front. (ILL. 5)
6. Snap wheels onto axles of side struts. Fit front wheel over hub on front strut. (ILL. 6)
7. Insert side struts into belly pan as shown. (INSET) Snap rear corners down, then with thumbs snap front of belly pan into place. Snap tab of tail section into hole in bottom of fuselage. Attach spotlights as shown. (ILL. 7)
8. Snap posts on turret canopy into holes in turret as shown. Insert bar of dual cannons in turret as shown. Insert turret into rear cockpit as shown. (ILL. 8)
9. Insert tab of windshield into hole in front cockpit and snap side tabs into place. Snap canopy pins into holes on mount and snap side tabs into place. (ILL. 9)
10. Attach side panels to fuselage as shown. During battle, replace panels with battle damaged panels for a realistic effect. (ILL. 10)
11. Attach nose cones onto front of mini-bombs. Attach weapon racks onto wings as shown. (INSET) Fit bombs and rockets onto weapon racks and bombs struts. (ILL. 11)

