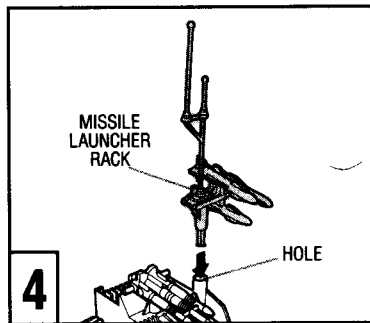
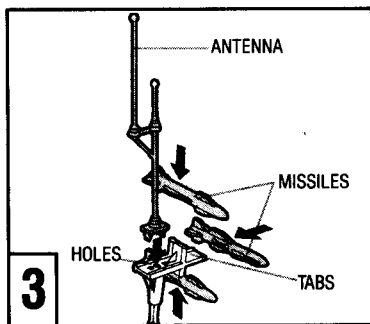
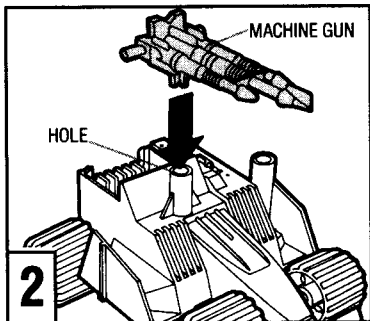
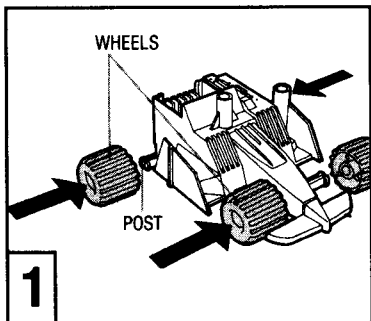


60639/6090

© 1988 Hasbro, Inc. All Rights Reserved. MADE IN U.S.A. 6638/6291 P/N20587300



- 1** Snap wheels (4) over posts on body sides. (ILL. 1)
- 2** Snap machine gun into hole in body as shown. (ILL. 2)
- 3** Snap antenna into holes in launcher. Fit missiles over tabs as shown. (ILL. 3)
- 4** Snap missile launcher rack into hole in left body side. (ILL. 4)

## TRI-BLASTER™

- 1) HIGH SPEED DYNAMIC LIFT CONTROL FRONT AIR FOIL
- 2) TRIPLE-BARRELLED "TRI BLASTER" PULSE FIRE UNIDIRECTIONAL LASER CANNON
- 3) "DROPOUT" SINGLE SEAT FLO-PACK DRIVER COCKPIT
- 4) AIR COOLED FLAT-SIX 360 HP FUEL INJECTED ENGINE
- 5) MAGNETIC ARRAY/DIGITAL COMMUNICATIONS ARIAL
- 6) PRESELECTABLE DATA TRANSFER TRANSMITTER/RECEIVER
- 7) STEEL CORE "DURAPOLE" SUPER DUTY ANTENNA
- 8) AEA-56 "QUICK THRUST" SURFACE-TO-SURFACE TERMINAL HOMING MISSILES
- 9) "TRACK AND SCAN" AUTO-ADJUST MISSILE/ANTENNA ROTATION UNIT
- 10) ALUMINUM/EPOXY SEMI-MONOCOQUE BODY/DEFLECTION SHAPED NOSE
- 11) "MUD RUNNER" HIGH SPEED OFF-ROAD FOUR WHEEL DRIVE TIRES

