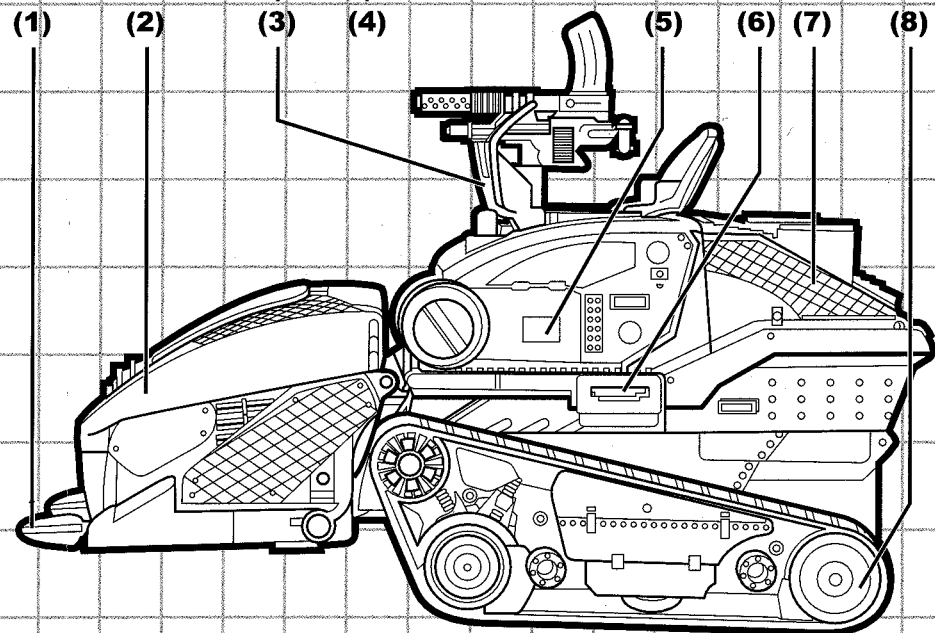
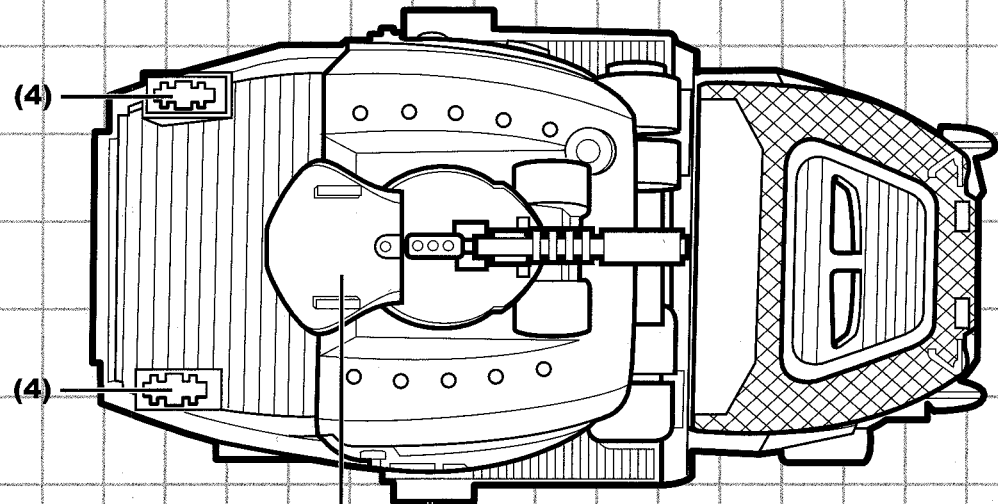
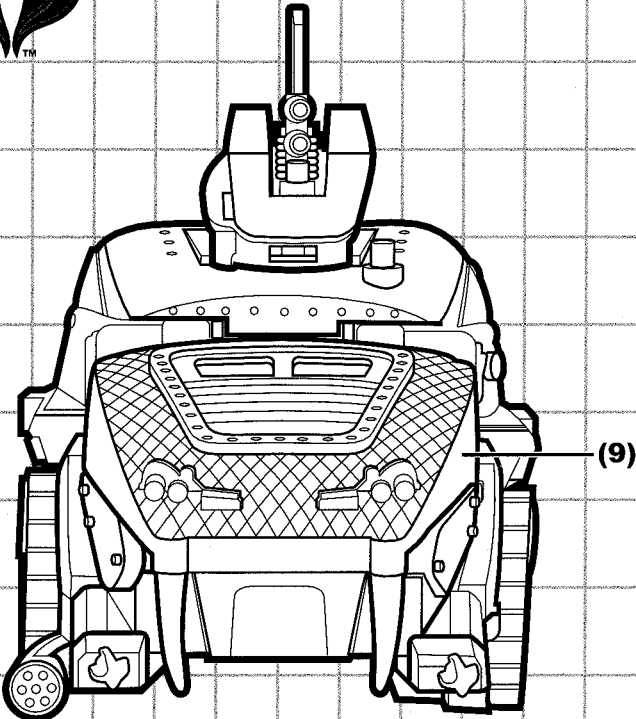
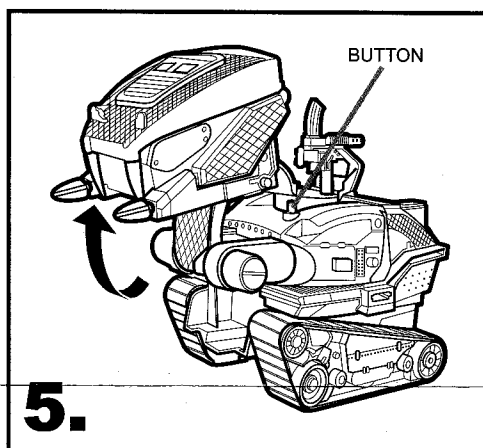
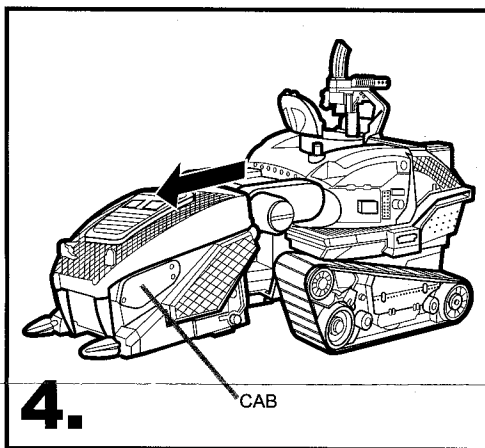
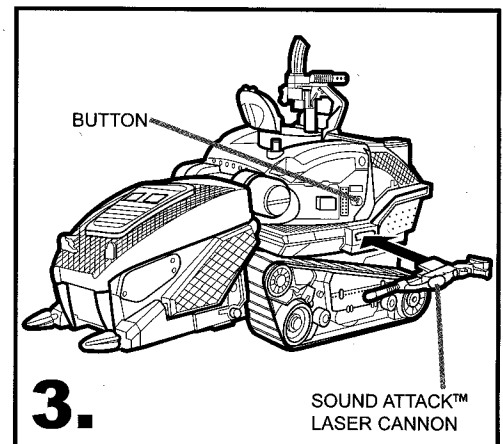
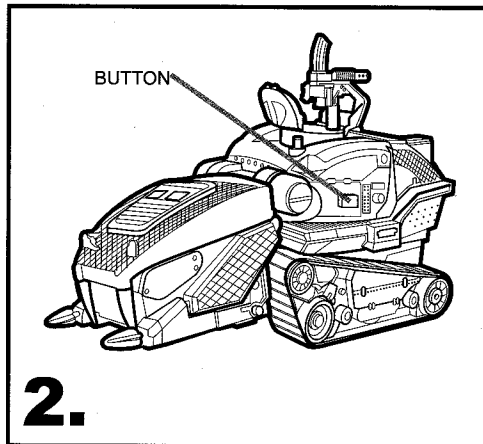
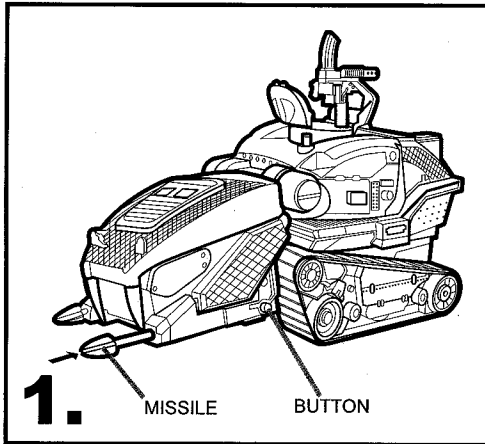


COBRA HISS IV™ WITH NEO-VIPER™

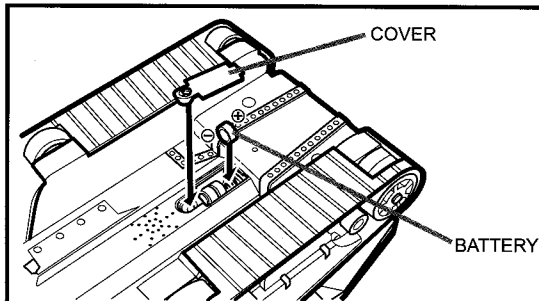
Includes 3 A-76 button cell batteries.
Phillips screwdriver (not included)
needed to replace batteries.

1. 2 MISSILE LAUNCHERS
2. CAB TOP OPENS TO REVEAL DRIVER'S STATION
3. ROTATING GUNNER STATION
4. 3 STORAGE AREAS FOR SOUND ATTACK WEAPONS
5. BUTTON FOR ENGINE SOUNDS
6. SOUND ATTACK™ PORT
7. REAR HATCH OPENS FOR FIGURE TRANSPORT
8. ROLLING WHEELS
9. CAB ELEVATES TO ATTACK POSITION





1. Insert missiles into launchers. Press buttons to launch missiles. (ILL. 1)
2. Push button for engine sounds. (ILL. 2)
3. Attach Sound Attack™ laser cannon then press button to hear firing sounds! (ILL. 3)
4. Pull cab forward. (ILL. 4)
5. Press button to make cab elevate. Cab only opens in raised position. (ILL. 5)



To replace batteries: Loosen screw in cover on bottom of vehicle. Remove cover. Insert 3 fresh A-76 button cell batteries. Replace door, and tighten screw.

! CAUTION:

- 1) As with all small batteries, the batteries used with this toy should be kept away from small children who still put things in their mouths. If they are swallowed, promptly see a doctor and have the doctor phone (202) 625-3333 collect.
- 2) Make sure the batteries are inserted correctly and follow the toy and battery manufacturer's instructions.
- 3) Do not mix old and new batteries, alkaline, standard (carbon-zinc) or rechargeable (nickel-cadmium) batteries.

FCC Statement:

This device complies with part 15 of the FCC Rules. Operation is subject to the following two conditions: (1) This device may not cause harmful interference, and (2) this device must accept any interference received, including any interference that may cause undesired operation. Changes or modifications to this unit not expressly approved by the party responsible for compliance could void the user's authority to operate the equipment. This equipment has been tested and found to comply with the limits for a Class B digital device, pursuant to part 15 of the FCC Rules. These limits are designed to provide reasonable protection against harmful interference in a residential installation. This equipment generates, uses and can radiate radio frequency energy, and, if not installed and used in accordance with the instructions, may cause harmful interference to radio communications. However, there is no guarantee that interference will not occur in a particular installation. If this equipment does cause harmful interference to radio or television reception, which can be determined by turning the equipment off and on, the user is encouraged to try to correct the interference by one or more of the following measures:

- Reorient or relocate the receiving antenna.
- Increase the separation between the equipment and receiver.
- Consult the dealer or an experienced radio/TV technician for help.