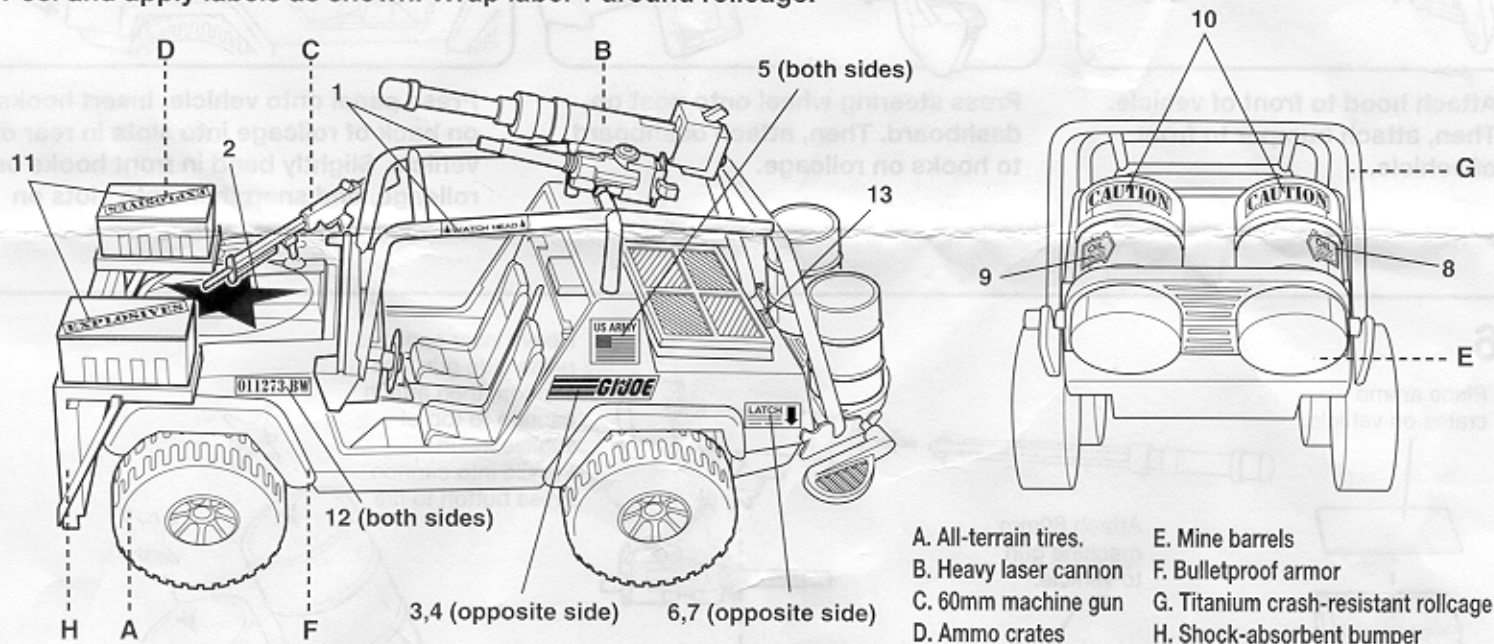


# DESERT STRIKER™

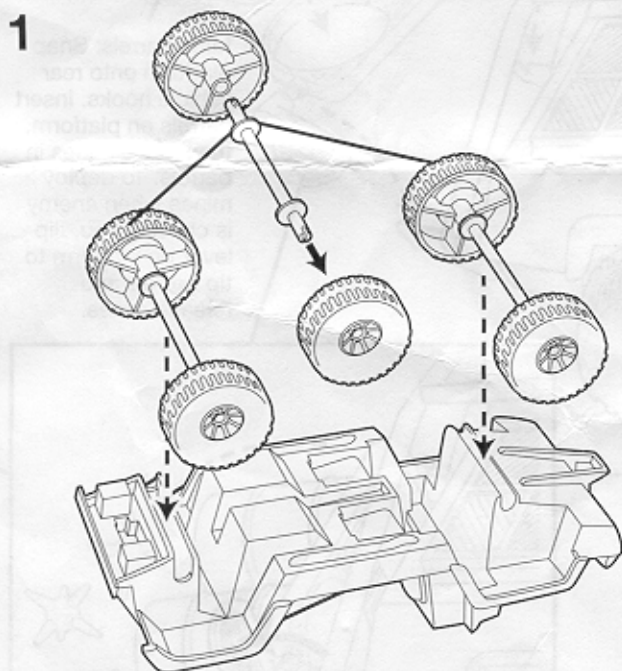
Contains: chassis, body, 4 wheels, 2 axles, bumper, hood, steering wheel, dashboard, panel, rollcage, heavy laser cannon, machine gun, 2 ammo crates, platform, 2 barrels, label sheet, 2 missiles and 6 land mines.

**⚠ WARNING:**  
CHOKING HAZARD—Small parts.  
Not for Children under 3 years.

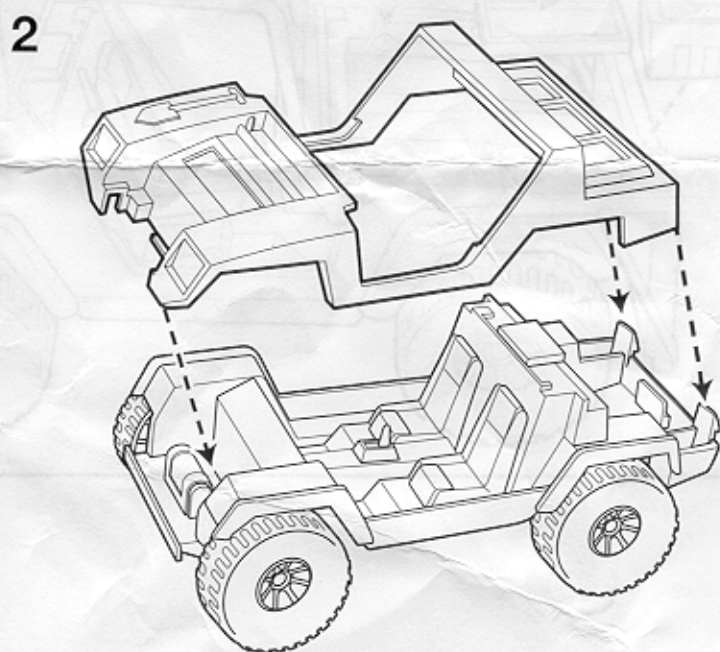
Peel and apply labels as shown. Wrap label 1 around rollcage.



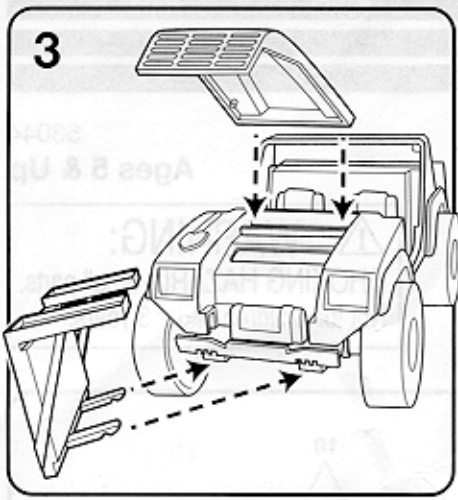
## TO ASSEMBLE



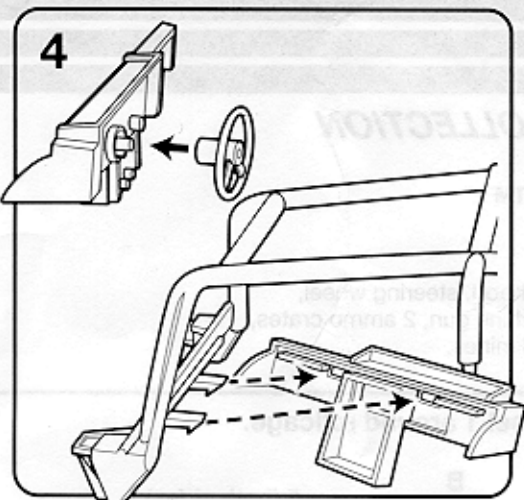
Snap wheels onto axles. Then, snap axles onto chassis.



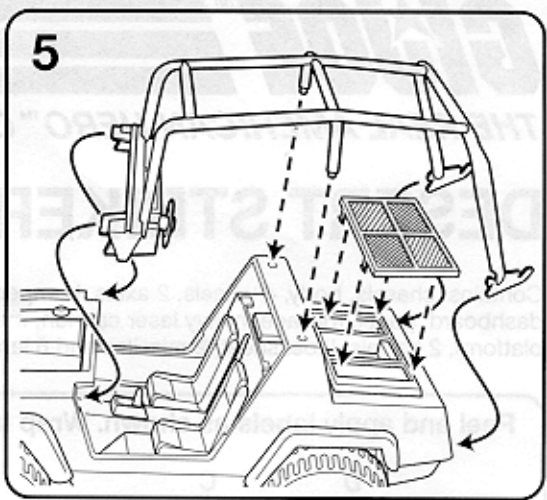
Insert hook on front of body into slot in front of chassis, then lower rear of body and snap it into chassis.



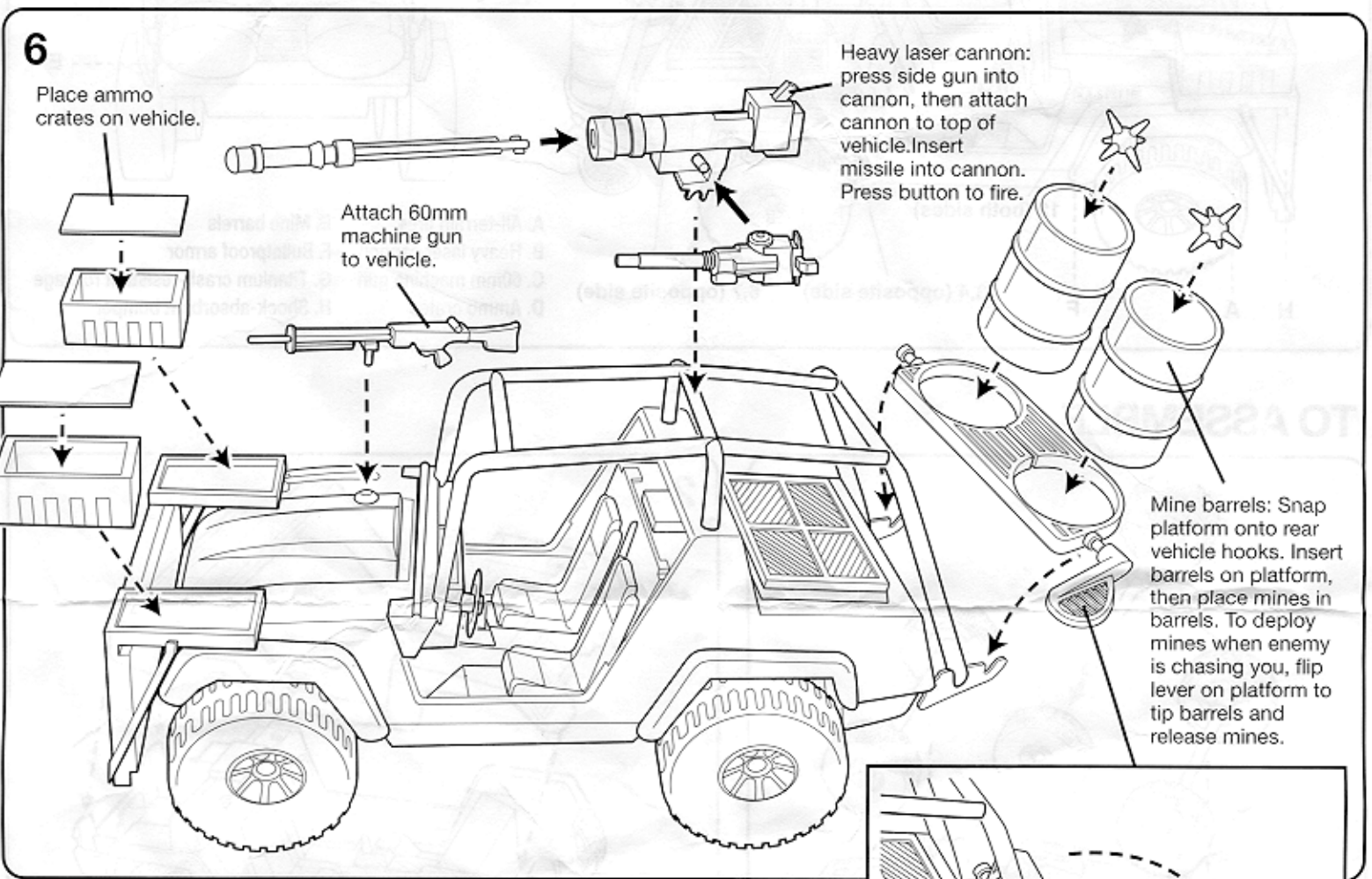
**3**  
 Attach hood to front of vehicle. Then, attach bumper to front of vehicle.



**4**  
 Press steering wheel onto post on dashboard. Then, attach dashboard to hooks on rollcage.



**5**  
 Press panel onto vehicle. Insert hooks on back of rollcage into slots in rear of vehicle. Slightly bend in front hooks on rollcage, and snap them into slots on vehicle.



**6**  
 Place ammo crates on vehicle.

Attach 60mm machine gun to vehicle.

Heavy laser cannon: press side gun into cannon, then attach cannon to top of vehicle. Insert missile into cannon. Press button to fire.

Mine barrels: Snap platform onto rear vehicle hooks. Insert barrels on platform, then place mines in barrels. To deploy mines when enemy is chasing you, flip lever on platform to tip barrels and release mines.

