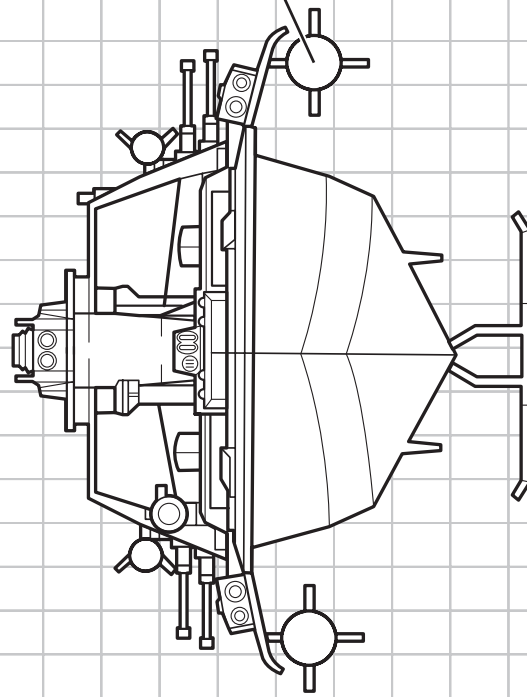
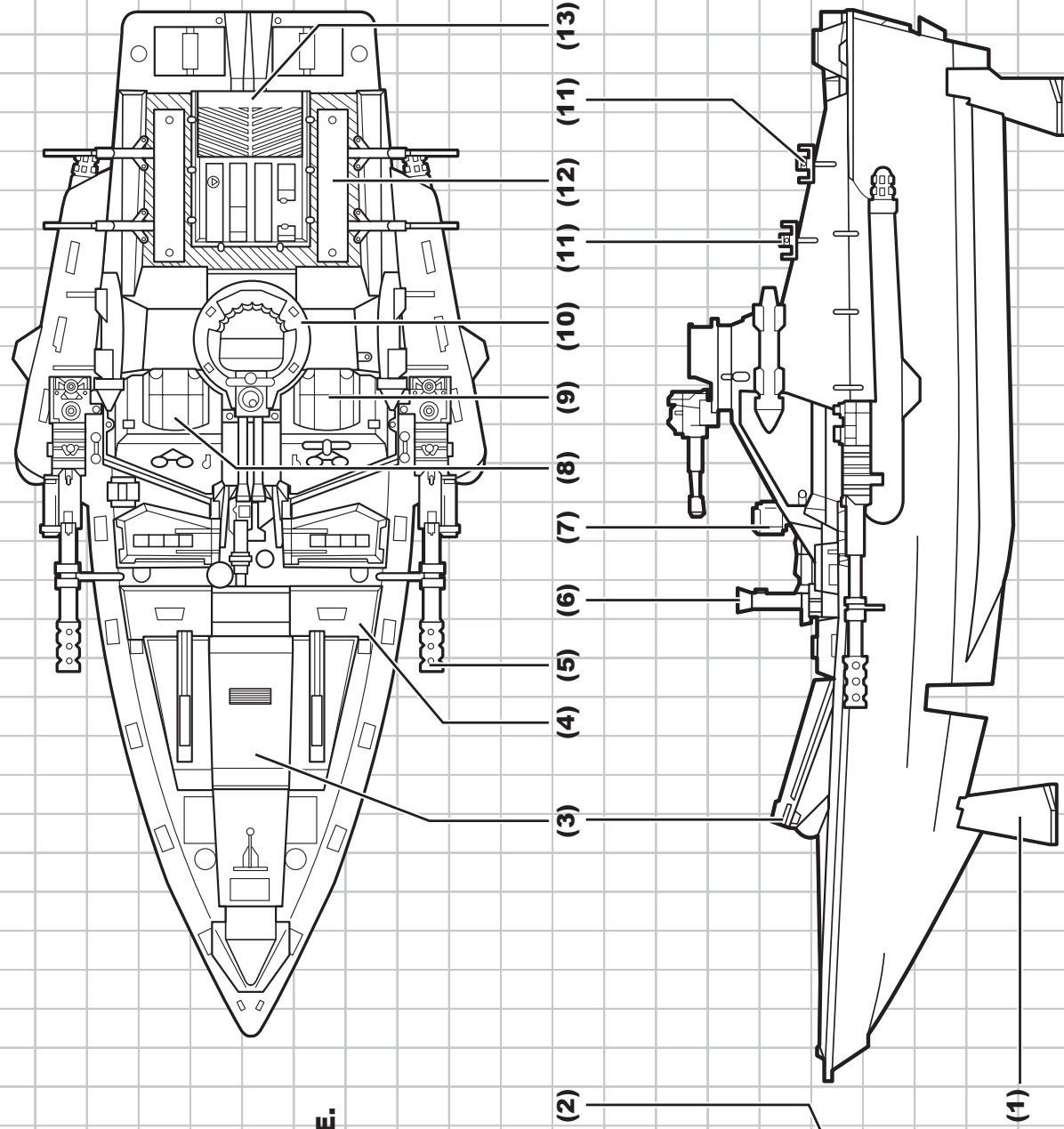


Some assembly required.  
No tools needed.  
Includes: unassembled  
vehicle and figures.

## GI JOE MORAY™ HYDROFOIL

1. HYDROFOILS.
2. TORPEDO.
3. RETRACTABLE MISSILE BOX.
4. DEFLECTOR SHIELD.
5. CANNONS.
6. PRESS ACTUATOR BUTTON TO REVEAL MISSILE BOX.
7. SEARCHLIGHT.
8. PASSENGER'S SEAT HOLDS ONE FIGURE.
9. DRIVER'S SEAT HOLDS ONE FIGURE.
10. TURRET HOLDS ONE FIGURE.
11. M-30 WEAPONS.
12. STORAGE AREA.
13. REMOVABLE ENGINE COVER.



Product and colors may vary.  
© 2005 Hasbro. All Rights Reserved.  
® & TM denote U.S. Trademarks.



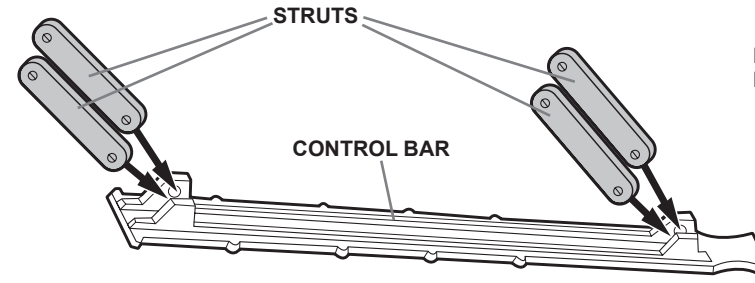
P/N 6474770000

gijoe.com  
FOR NEW PRODUCTS AND OFFERS

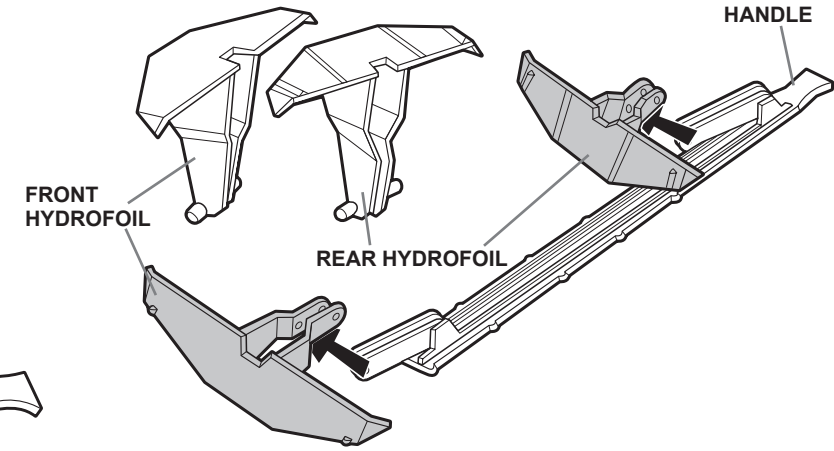
Remove all pieces from plastic frames.  
If you have difficulty, use safety scissors.

## GI JOE MORAY™ HYDROFOIL INSTRUCTIONS

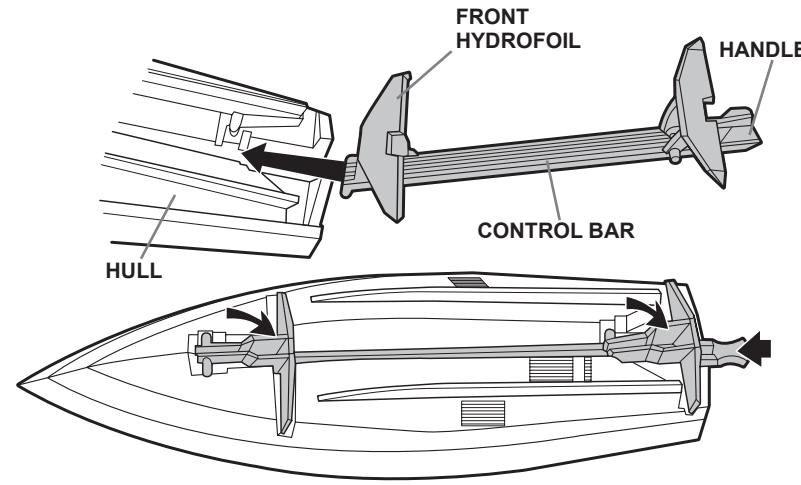
NOTE: Adult supervision may be required.



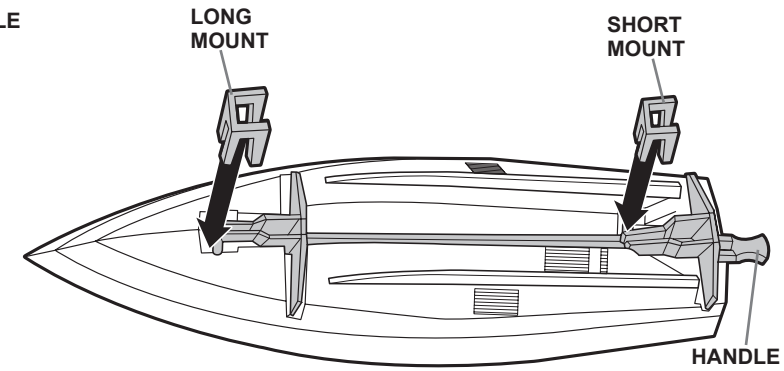
1. Position control bar with handle as shown. Snap struts onto control bar.



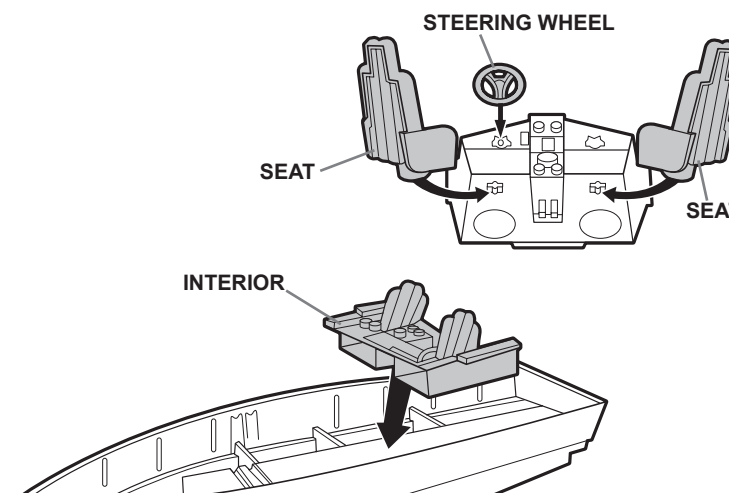
2. Snap rear hydrofoil onto struts that are closest to handle, as shown. Snap front hydrofoil onto remaining struts.



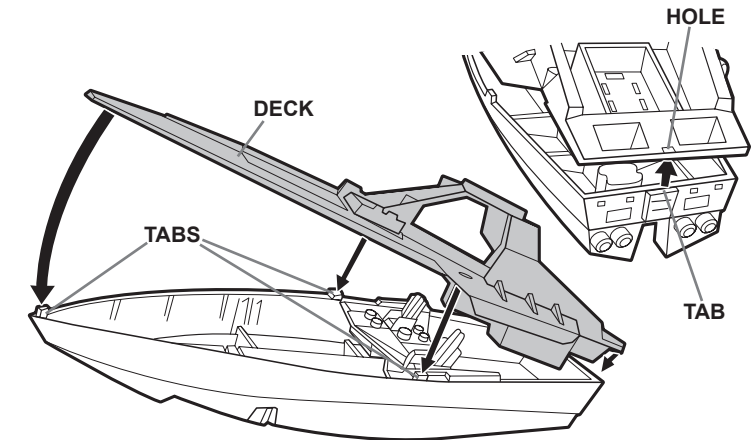
3. Hold control bar handle. Lift front hydrofoil. Slide control bar into hull, making sure control bar slides under tabs. Fold hydrofoils into slots in hull.



4. With long mount in position shown, snap mount over posts on front hydrofoil. Repeat with short mount and rear hydrofoil. Slide handle back and forth to test hydrofoils. NOTE: Put hydrofoils up before continuing.

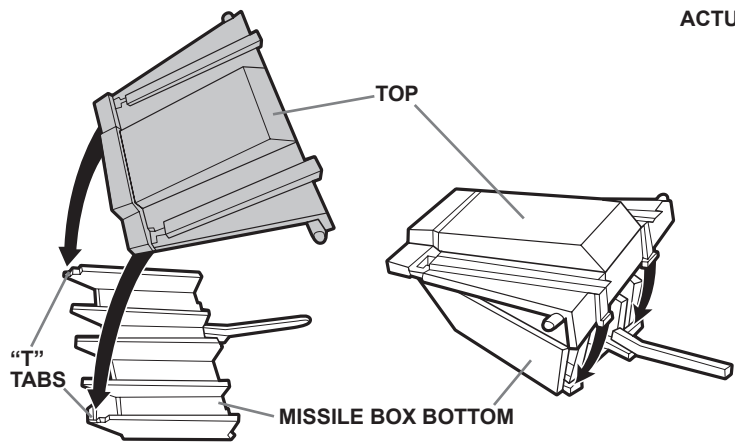


5. Attach steering wheel and seats to interior. Place assembled interior into vehicle as shown.

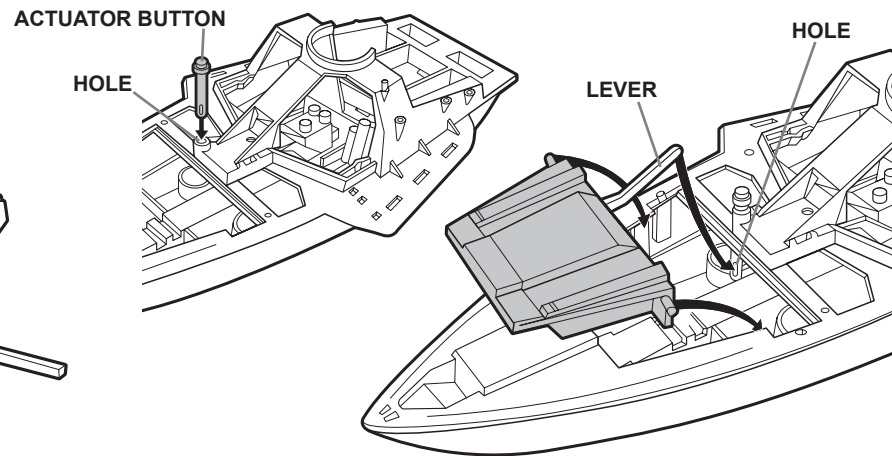


6. Insert tab on hull rear into hole in deck rear. Swing deck down and snap tabs on hull into slots in deck.

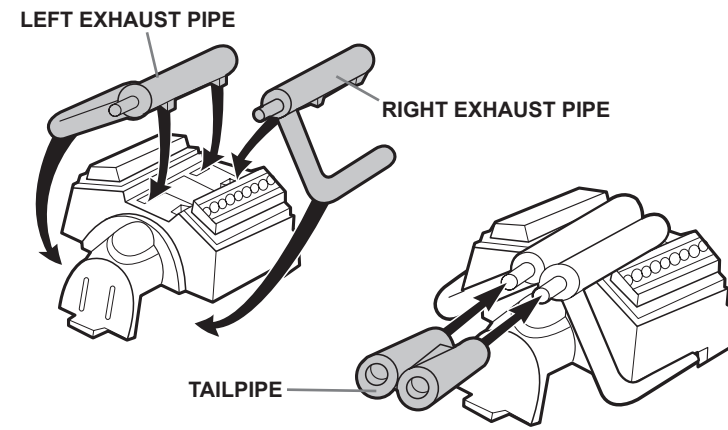




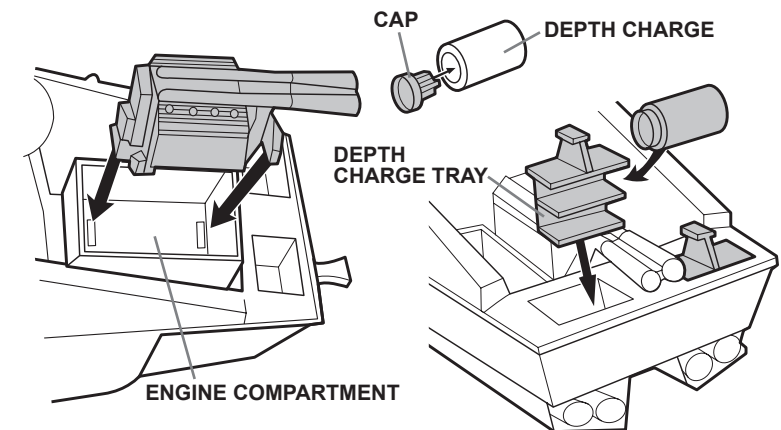
7. Insert "T" tabs on missile box bottom into holes in missile box top. Slide "T" tabs toward rear of box. Snap rear of missile box together.



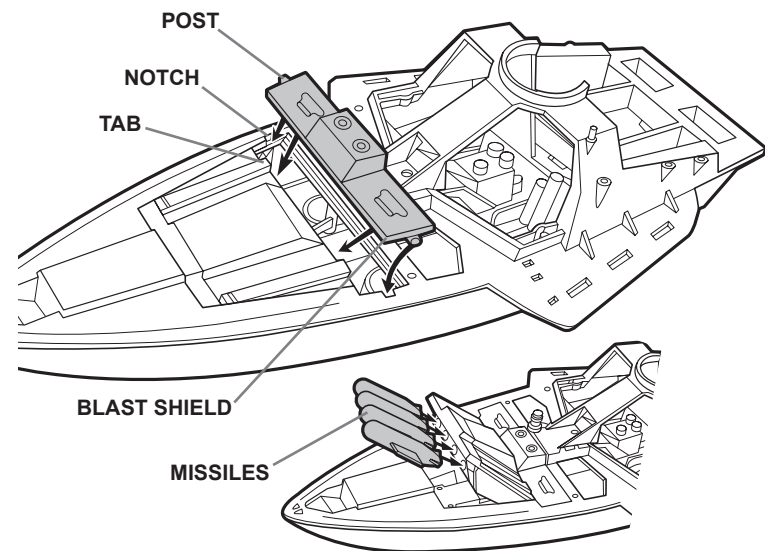
8. Insert actuator button into hole in deck. Insert missile box lever into hole in actuator button. Swing missile box into place.



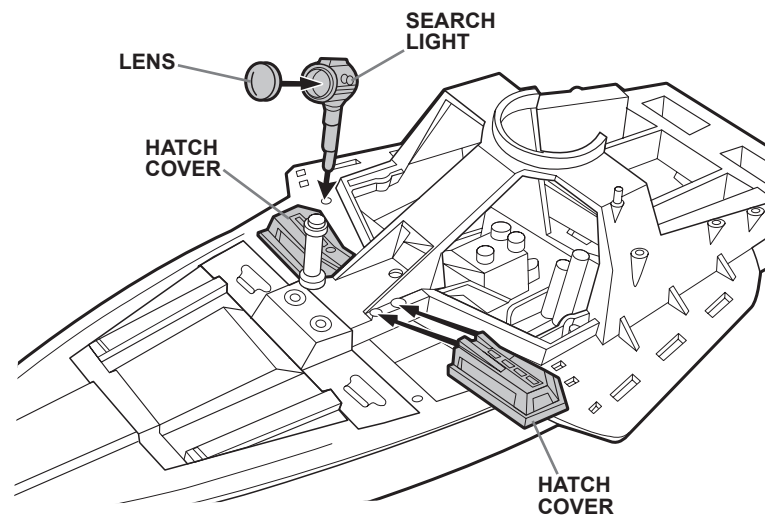
13. Attach left exhaust pipe to left side of engine as shown. Snap bottom of exhaust pipe under engine half. Repeat with right exhaust pipe. Attach tailpipe to exhaust pipes.



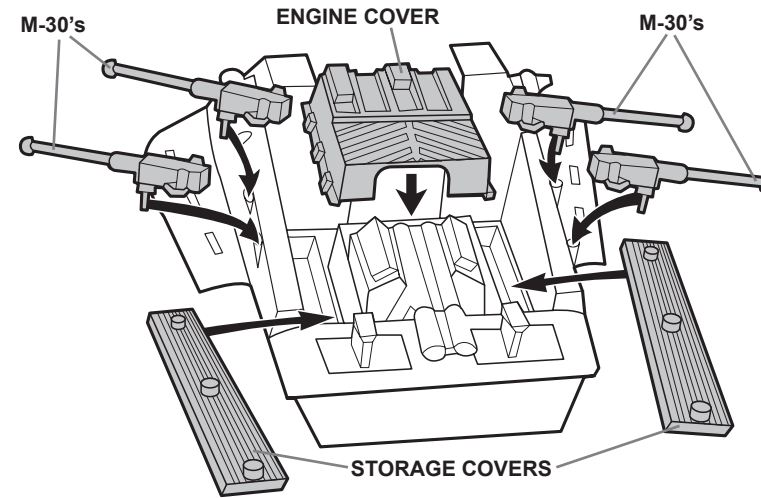
14. Place front engine tab into slot in engine compartment, and push rear tab into place. Attach depth charge caps to depth charges. Slide depth charge tray into tray compartments. Lift trays to insert depth charges.



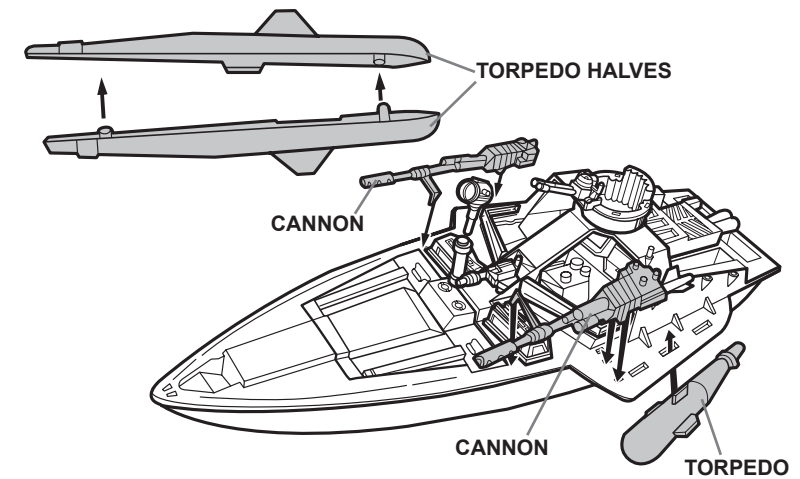
9. Position front of blast shield under top tabs on back of missile box, and place one post on notch under deck. Place other post of blast shield over deck opening and snap into place. Press actuator button to lift missile box. Insert missiles into missile box.



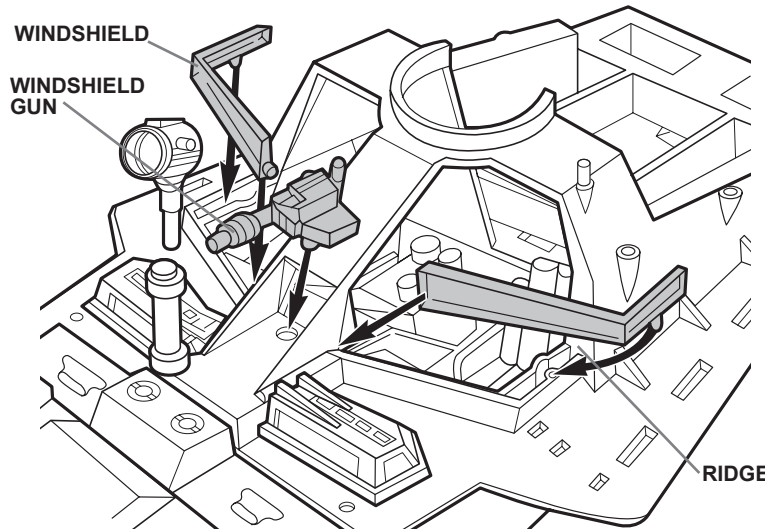
10. Snap hatch covers over hatch openings. Snap lens into searchlight. Attach searchlight to vehicle.



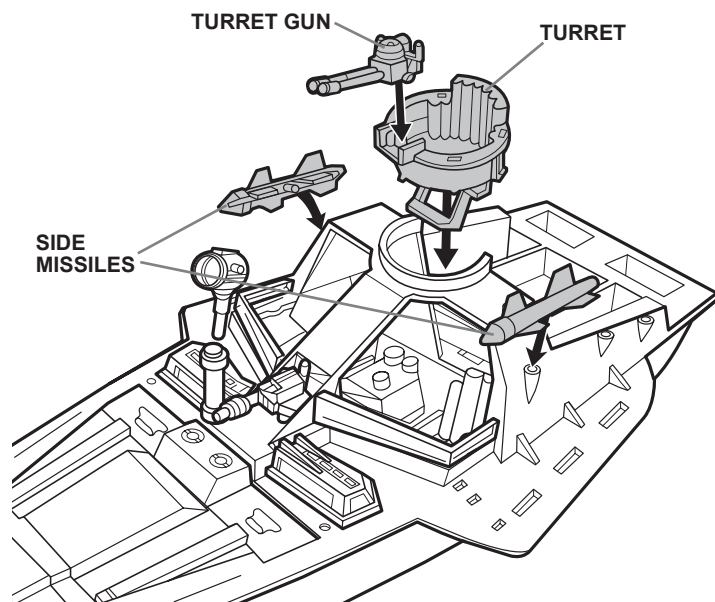
15. Place storage covers over storage areas. Fit engine cover over engine. Insert posts on M-30s into holes in rear deck.



16. Attach torpedo halves. Attach assembled torpedo to vehicle, and slide forward to lock in place. Repeat with other torpedo. Snap cannons onto sides of deck as shown.



11. Attach left windshield to left side of cabin as shown. Slide windshield between ridge, and press into place. Repeat with right windshield. Attach windshield gun to vehicle as shown.



12. Attach turret gun to turret. Snap turret into turret hole. Attach side missiles to vehicle.

