

GI JOE

RATTLER™

Includes unassembled vehicle, SOUND ATTACK unit, SOUND ATTACK™ weapon, 11 missiles, figure and instructions.

Includes 3 A-76 (LR44) button cell batteries. Phillips screwdriver (not included) needed to replace batteries. Adult assembly required.

AGES 5+

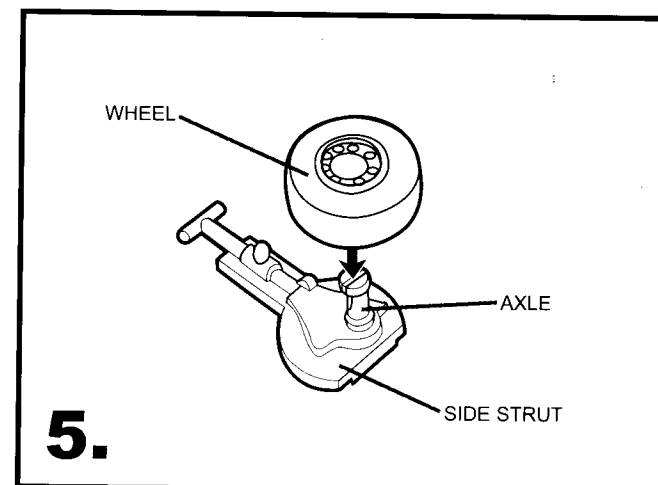
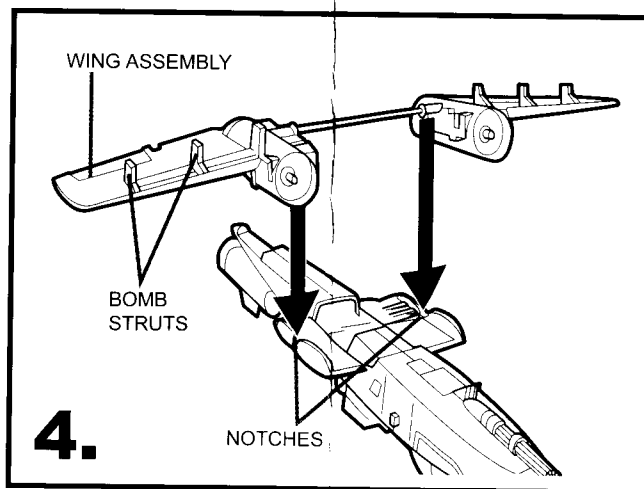
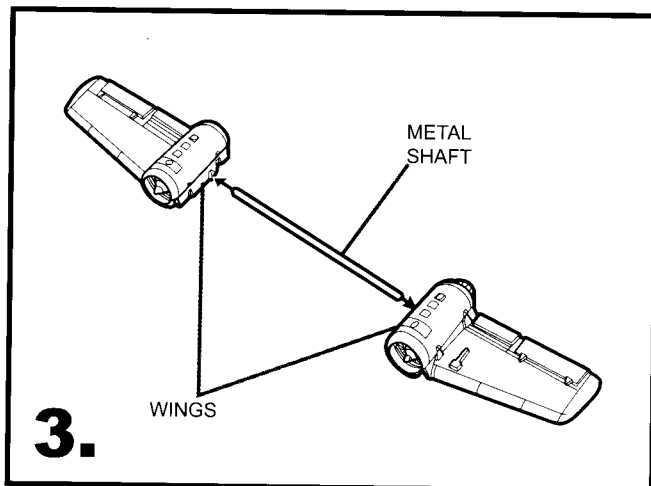
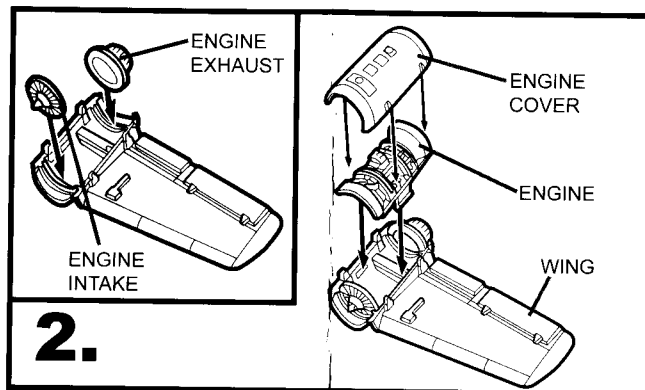
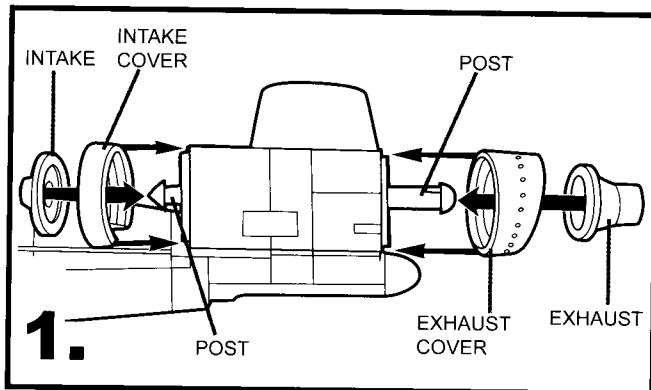
53182

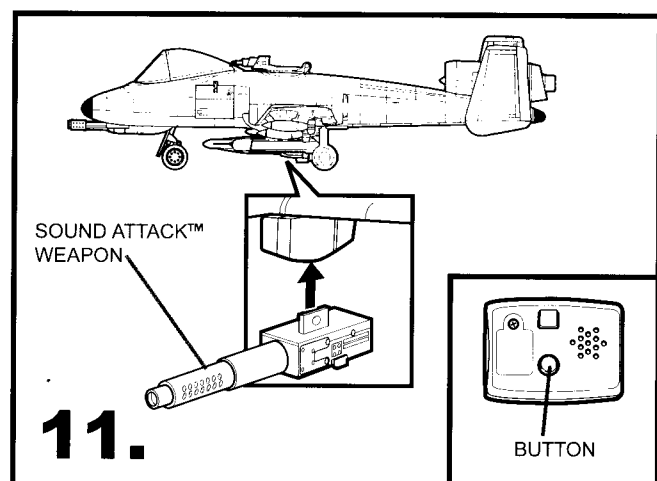
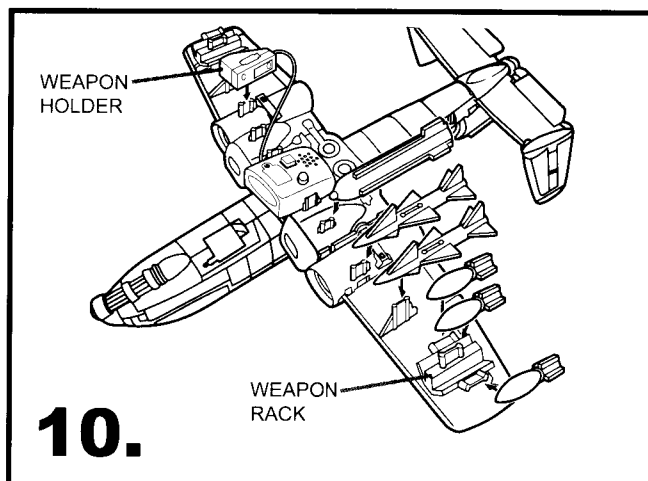
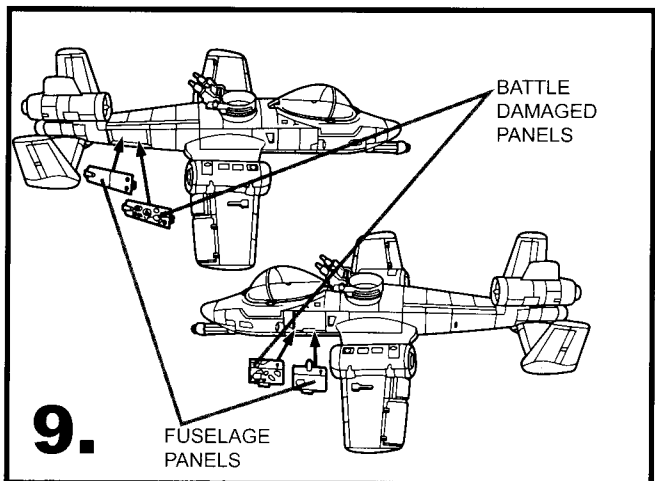
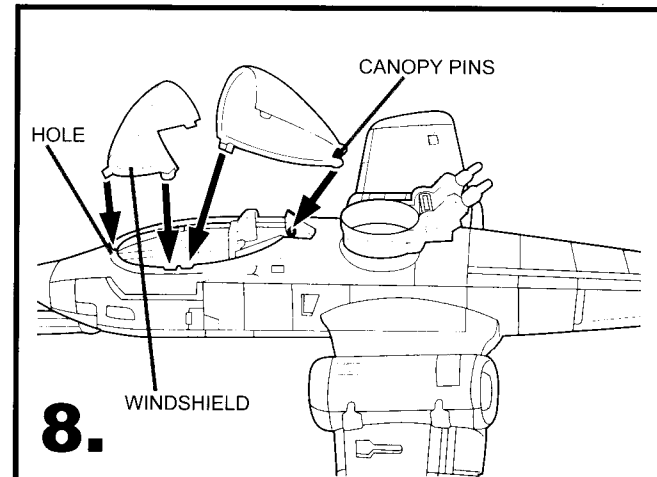
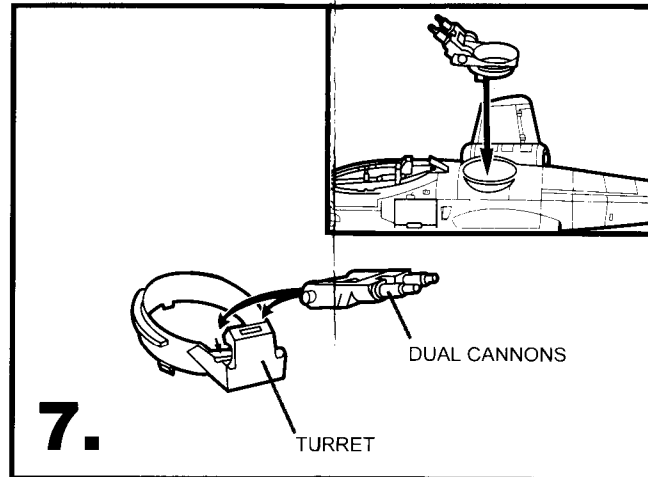
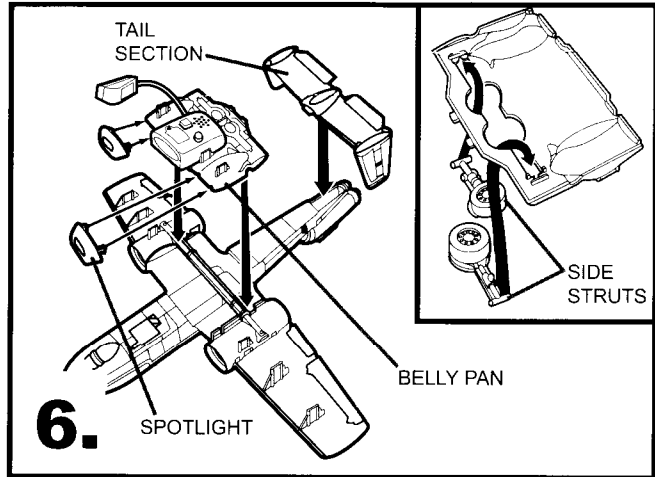


WARNING:

CHOKING HAZARD—Small parts.
Not for children under 3 years.

ASSEMBLY

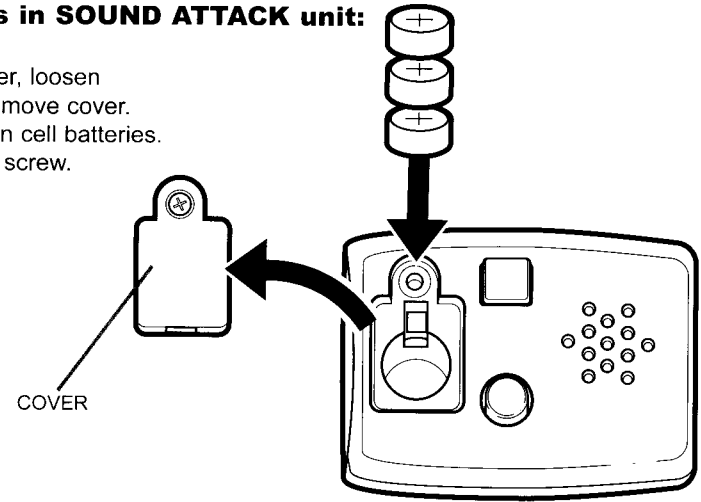




1. Fit intake cover over ridge on front of tail. Angle intake into position and snap over posts as shown. Fit exhaust cover over back of tail and rotate until it clicks into place. Snap exhaust over post. (ILL. 1)
2. Place engine intake and engine exhaust into slots as shown. Repeat with other wing. (INSET) Snap each engine and engine cover into place. (ILL. 2)
3. Push ends of metal shaft into holes in wings as shown. (ILL. 3)
4. Place wings into notches on bottom of fuselage. Make sure bomb struts are facing the bottom and toward the front. (ILL. 4)
5. Snap wheels onto axles of side struts. (ILL. 5)
6. Insert side struts into belly pan as shown. Snap rear corners down, then with thumbs snap front of belly pan into place. Snap tab of tail section into hole in bottom of fuselage. Attach spotlights as shown. (ILL. 6)
7. Insert bar of dual cannons into turret. Insert turret into rear cockpit. (ILL. 7)
8. Insert tab of windshield into hole in front cockpit and snap side tabs into place. Snap canopy pins into holes on mount as shown, and snap side tabs into place. (ILL. 8)
9. Attach side panels to each side of fuselage as shown. During battle, replace panels with battle damaged panels for a realistic effect. (ILL. 9)
10. Slide SOUND ATTACK weapon holder onto weapon rack. Attach weapon racks onto bottom of wings. Fit bombs and rockets onto weapon racks and other bomb struts. (ILL. 10)
11. To activate sounds, insert SOUND ATTACK weapon, and press button on sound unit. (ILL. 11)

To replace batteries in SOUND ATTACK unit:

Using a Phillips screwdriver, loosen screw in cover on unit. Remove cover. Insert 3 A-76 (LR44) button cell batteries. Replace door, and tighten screw.



CAUTION:

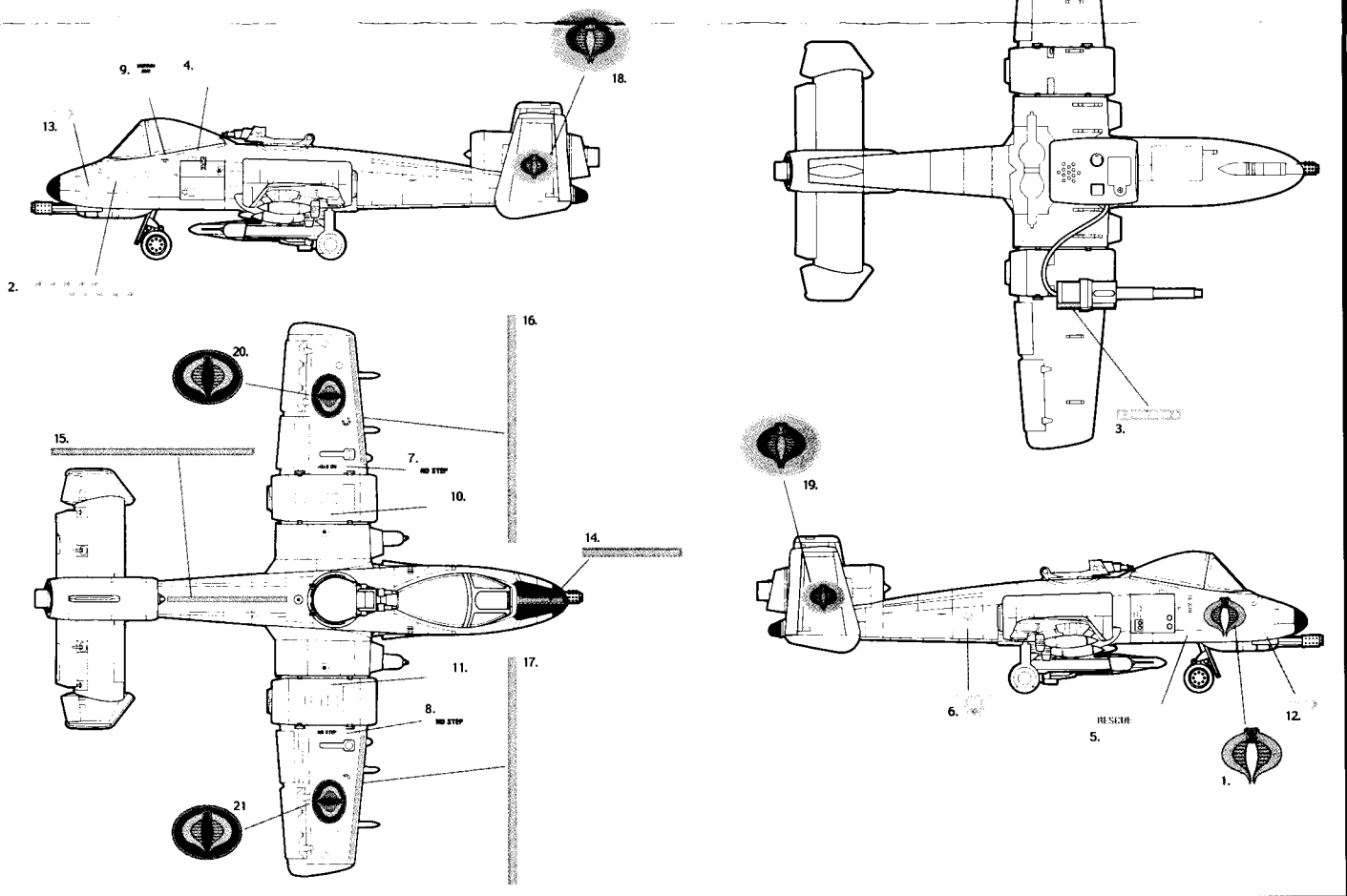
- 1) As with all small batteries, the batteries used with this toy should be kept away from small children who still put things in their mouths. If they are swallowed, promptly see a doctor and have the doctor phone (202) 625-3333 collect.
- 2) Make sure the batteries are inserted correctly and follow the toy and battery manufacturers' instructions.
- 3) Do not mix old and new batteries, alkaline, standard (carbon-zinc) or rechargeable (nickel-cadmium) batteries.

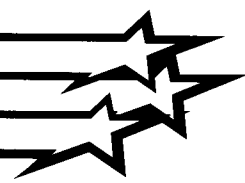
G.I. JOE

RATTLER™

1. TITANIUM-BLADE LOW-STALL TURBO FAN ENGINE
2. CARBON/TITANIUM PLATE ARMORED COCKPIT AND FUSELAGE SKIN
3. RETRO-FIT "BRIGHT NIGHT" XENON SEARCHLIGHTS
4. ANTI-JAMMING INFRARED TARGET ACQUISITION SYSTEM
5. TWIN 40MM MULTIPLE FIRE CANNONS
6. ALUMINUM AIRFRAME/CARBON COMPOSITE SKIN
7. LOW THRUST "RELIEVER" TURBOFAN ENGINE
8. THREE-PART VERTICAL STABILIZERS
9. PL-MK 48 RADAR SENSITIVE CLUSTER BOMBS
10. EO-118 ELECTRO-OPTICAL "RENEGADE BOMB"
11. LORADS CONSTANT SCAN TWO STAGE MISSILE
12. RUN FLAT TIRES/ALUMINUM ALLOY WHEELS
13. DIAGNOSTIC COMPUTER DATA LINK ACCESS PANEL
14. "JAWBREAKER" CDY-9B NOSE CANNON

Peel and apply labels as shown.





gijoe.com
FOR NEW PRODUCTS AND OFFERS

