

# G.I. JOE

## SNOW CAT®

Includes unassembled vehicle,  
SOUND ATTACK™ unit,  
SOUND ATTACK™ weapon,  
4 missiles, launcher, figure, label  
sheet and instructions.

Includes 3 X 1.5V A-76 (LR44) button cell batteries.  
Philips screwdriver (not included) needed to replace  
batteries. Adult assembly required.

AGES 5+

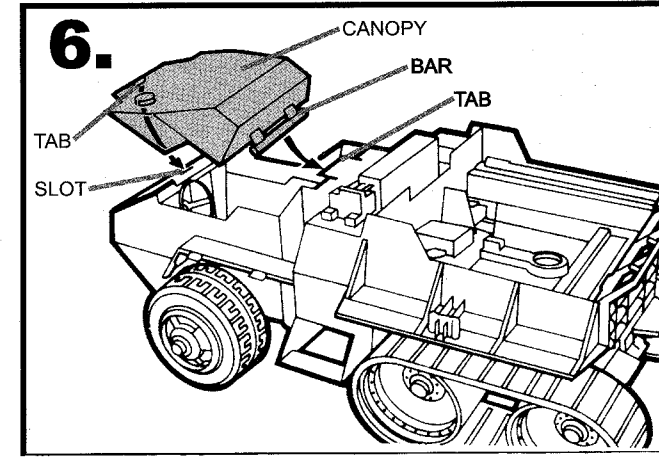
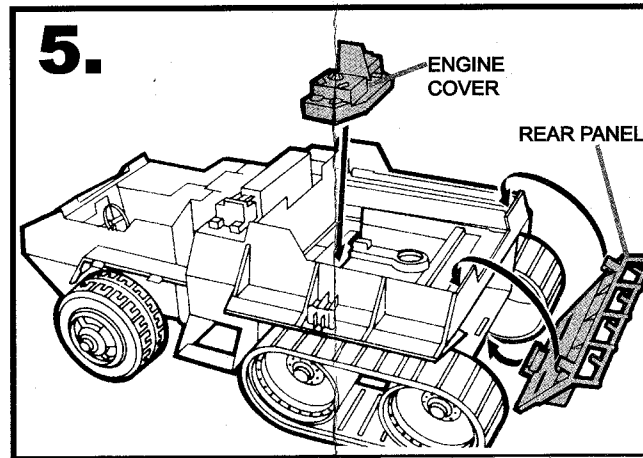
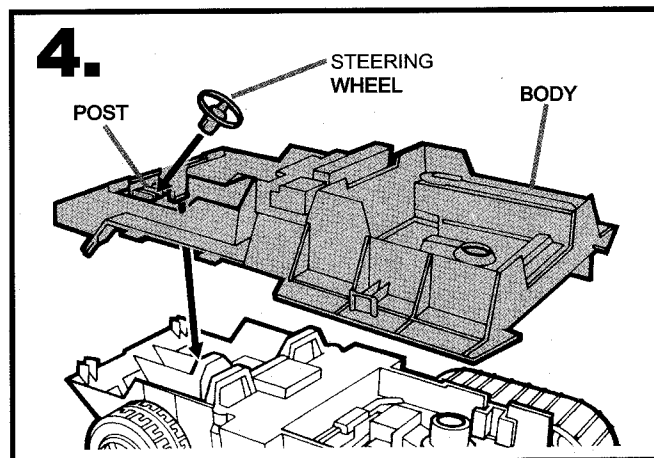
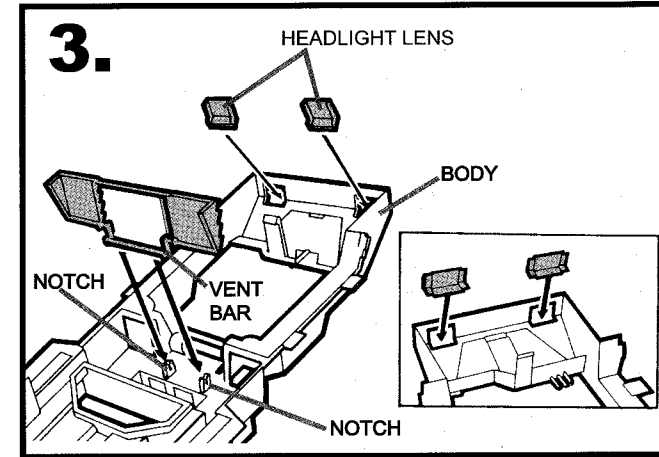
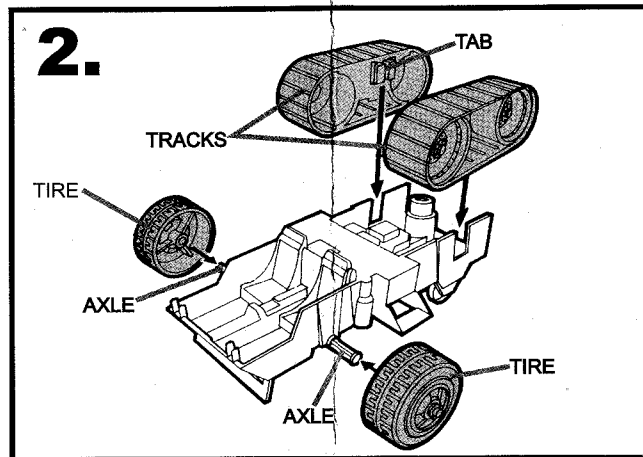
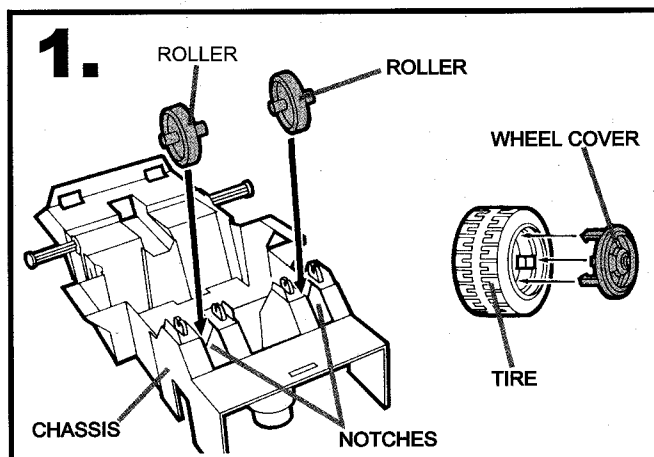
53241



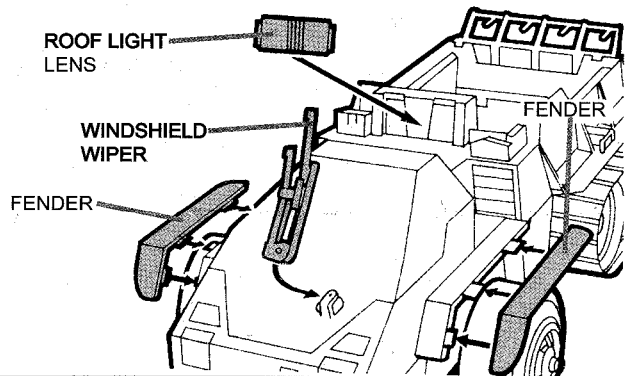
### WARNING:

CHOKING HAZARD—Small parts.  
Not for children under 3 years.

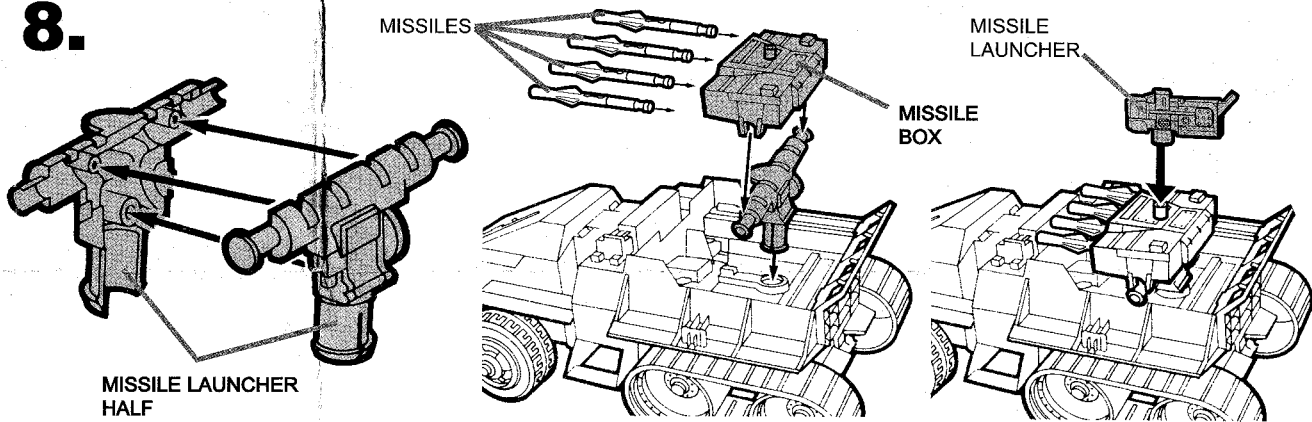
### ASSEMBLY



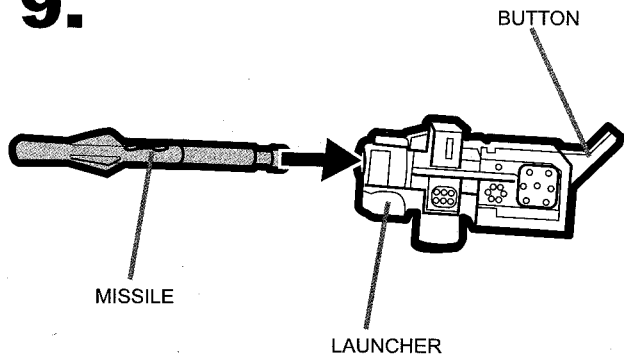
7.



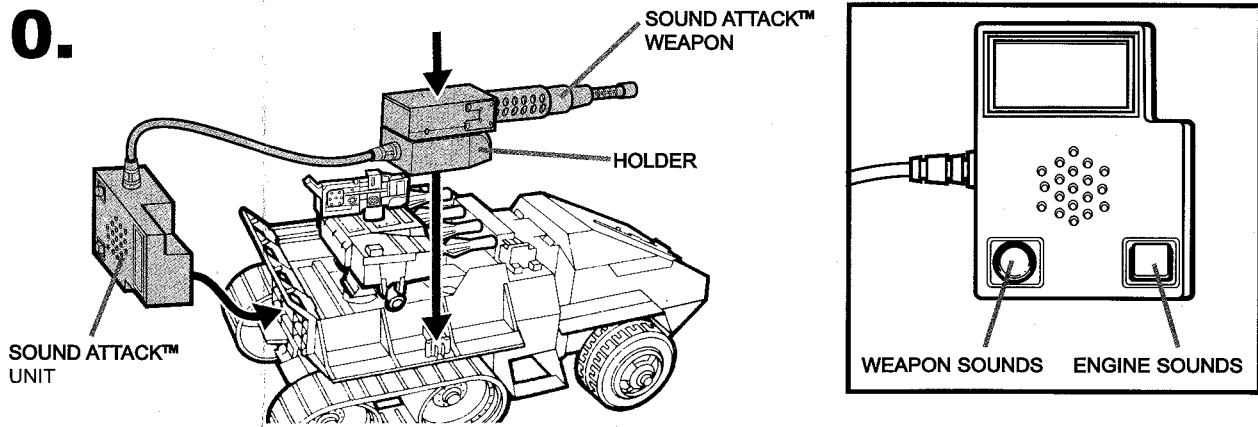
8.



9.



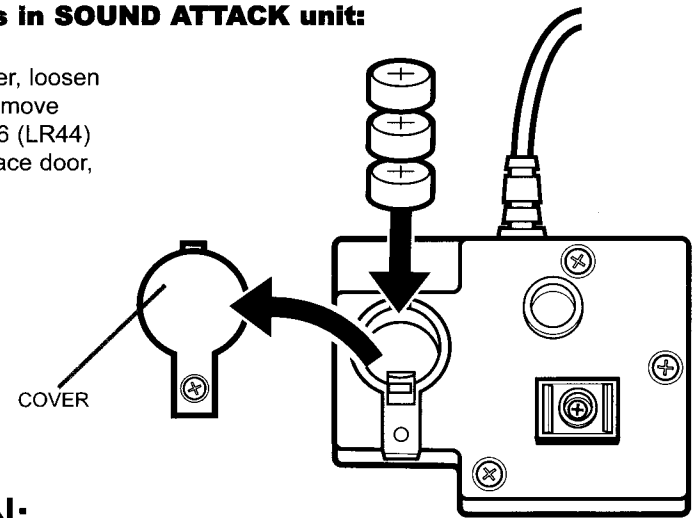
10.



1. Snap rollers into notches under chassis. Snap wheel covers into front tires. (ILL.1)
2. Turn chassis right side up. Snap tires over axles on chassis. Slide tabs on each track onto sides of chassis. (ILL.2)
3. Snap vent bar into notches under body. Make sure detail on vents faces through openings. Slide bottom part of headlight through opening, then snap top of headlight forward. Repeat with other headlight. (ILL.3)
4. Place body on chassis. Press down to lock front tab into place. Press steering wheel over middle post on dashboard. (Steering wheel moves up and down.) (ILL.4)
5. Hook tab on bottom of rear panel into slot at rear of chassis. Snap tabs over rear of body. Place engine cover over engine. (ILL.5)
6. Insert bar on canopy under tab above seats. Close canopy. Insert tab on front of canopy into slot. (ILL.6)
7. Insert hole in windshield wiper under tab on canopy. Slide slots on fender over tabs on side of body. Repeat with other fender. Snap roof light lens into mount on top of body. (ILL.7)
8. Snap launcher base halves together. Attach missile box onto base. Insert missiles into box. Attach missile launcher to missile box. (ILL.8)
9. To fire missiles, insert one missile into launcher until it locks in place. Press button on launcher – missile fires! (ILL.9)
10. To attach SOUND ATTACK unit: Slide SOUND ATTACK unit onto rear of vehicle. Attach weapon holder to right side of vehicle. Attach weapon to holder. To activate sounds, press button on sound unit. (ILL.10)

### To replace batteries in SOUND ATTACK unit:

Using a Phillips screwdriver, loosen screw in cover on unit. Remove cover. Insert 3 X 1.5V A-76 (LR44) button cell batteries. Replace door, and tighten screw.



### CAUTION:

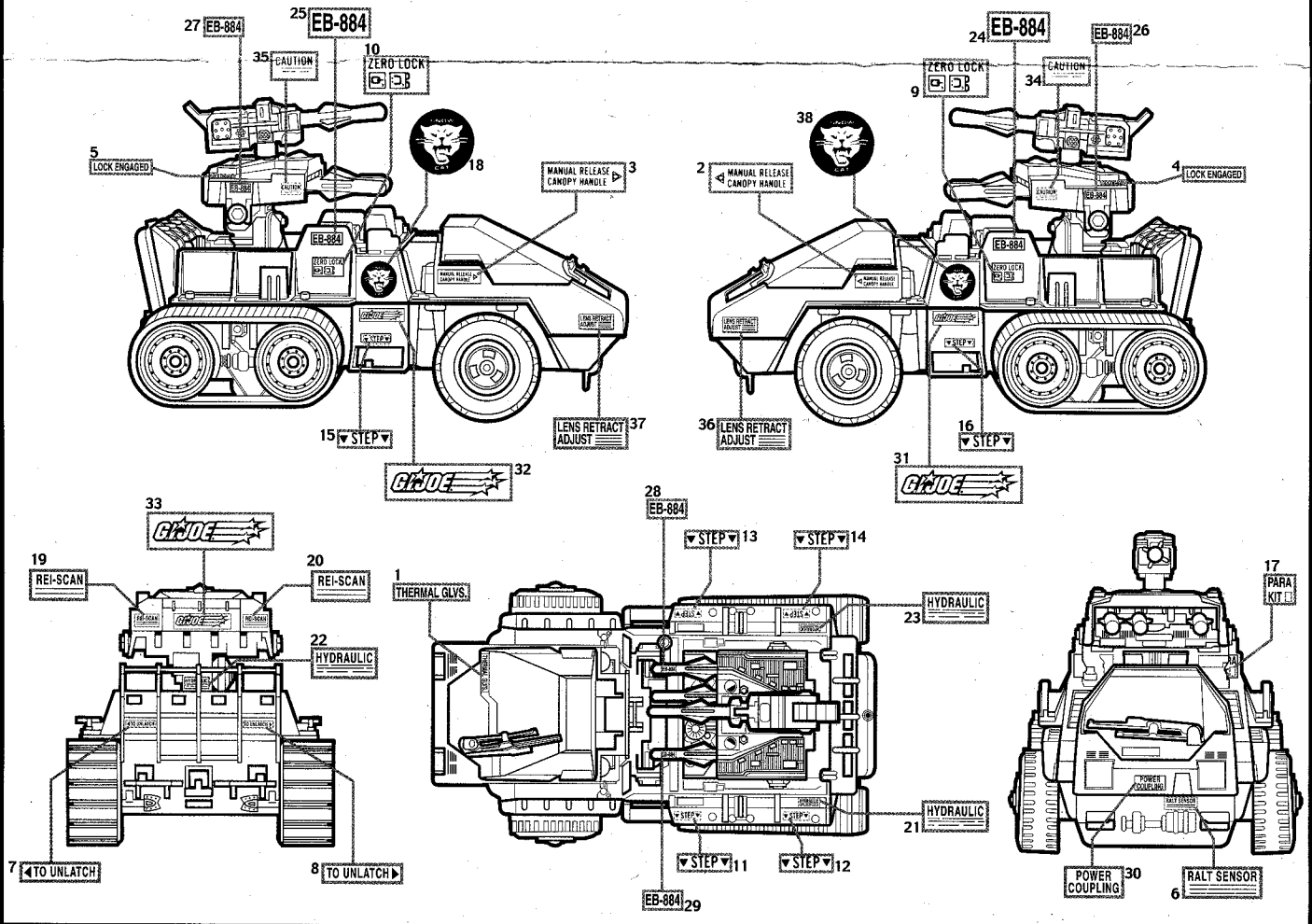
- 1) As with all small batteries, the batteries used with this toy should be kept away from small children who still put things in their mouths. If they are swallowed, promptly see a doctor and have the doctor phone (202) 625-3333 collect.
- 2) Make sure the batteries are inserted correctly and follow the toy and battery manufacturers' instructions.
- 3) Do not mix old and new batteries, alkaline, standard (carbon-zinc) or rechargeable (nickel-cadmium) batteries.

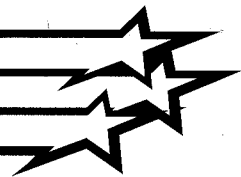
# GI JOE

## SNOW CAT®

1. EF-# HIGH-BACK INDIVIDUAL COMPETITION SEATS
2. WHEEL ARCH MUD/SNOW DEFLECTORS
3. SOUND ATTACK™ WEAPON
4. SOUND ATTACK™ UNIT
5. "SNOWPLOW" FRONT APRON PANEL
6. SMOOTH-SURFACE NON-CLOGGING 3-PIECE MODULAR WHEEL RIMS
7. HIGH-TRACTION OFF-ROAD MUD/SNOW TIRES
8. MAIN ENGINE COMPARTMENT AIR INTAKES
9. TRACK SILL BATTLE PLATFORMS
10. TURRET ROTATIONAL/ELEVATIONAL MAIN-DRIVE UNIT
11. FOUR-WHEEL HALF-TRACK DRIVE
12. AUXILIARY ROOF-MOUNTED XENON SPOTLAMPS
13. HEAVY-DUTY "ARTIC" DUAL-BLADE CANOPY WIPER ARM
14. SUPER HEAVY-DUTY CANOPY DEFROSTERS

Peel and apply labels as shown.





[gijoe.com](http://gijoe.com)  
FOR NEW PRODUCTS AND OFFERS

