



WARNING:
CHOKING HAZARD—Small parts.
Not for children under 3 years.

AGES 5+
53199/53196 Asst.

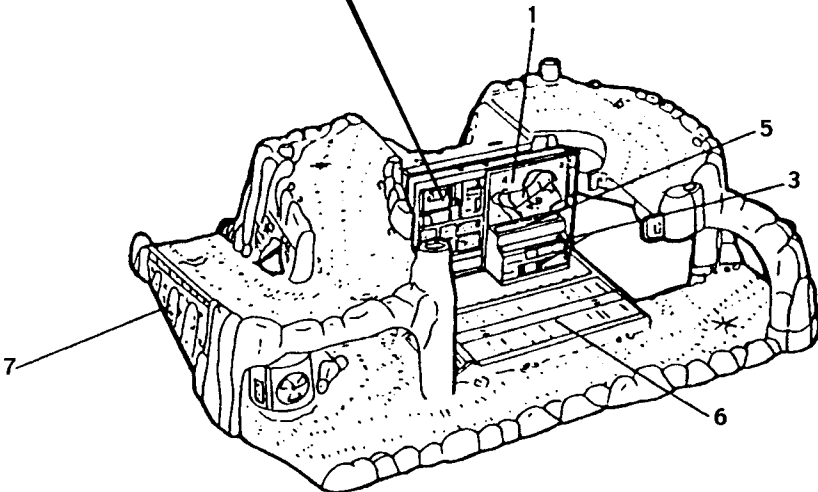
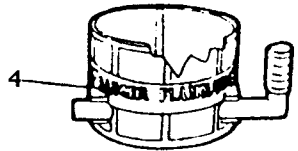
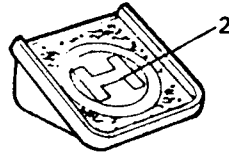
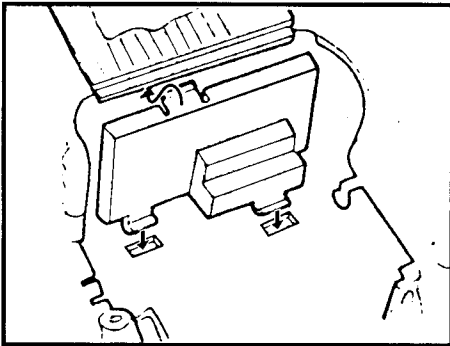


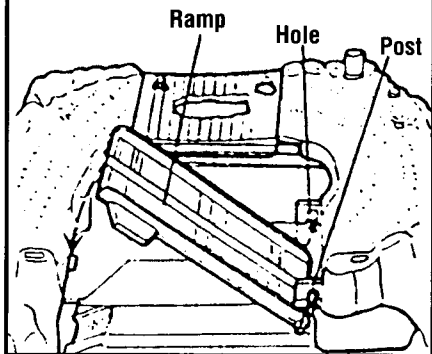
Assembly required.
No tools needed.

GI JOE® Headquarters

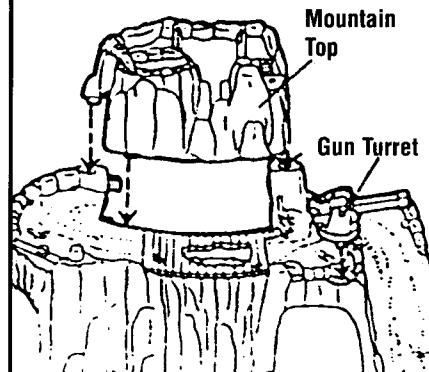
Includes playset, 2 vehicles, 2 figuras, label sheet and instructions.

1. Peel and apply labels as shown.

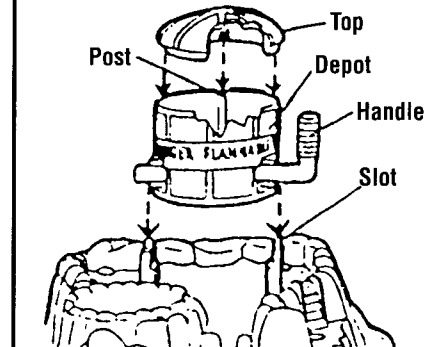


2.

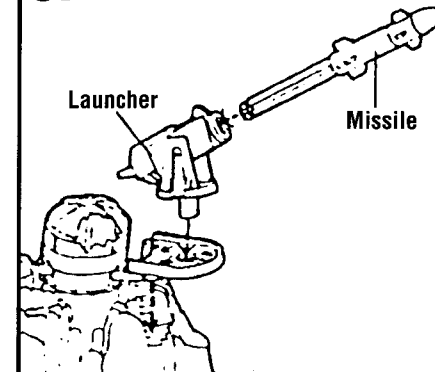
Insert posts on ramp into holes in playset.

3.

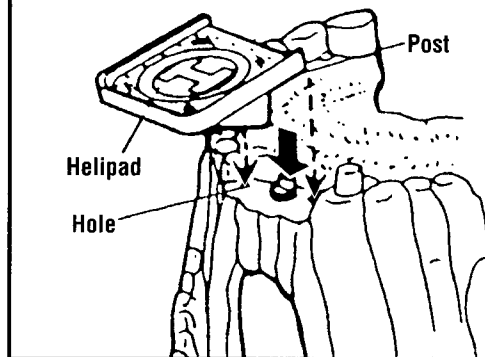
Slide tabs on front of mountain top into slots in playset, then insert tabs on back of mountain top into slots in playset. Attach gun turret to playset.

4.

Attach top of fuel depot to bottom of depot. Place post and handle into slots on mountain top.

5.

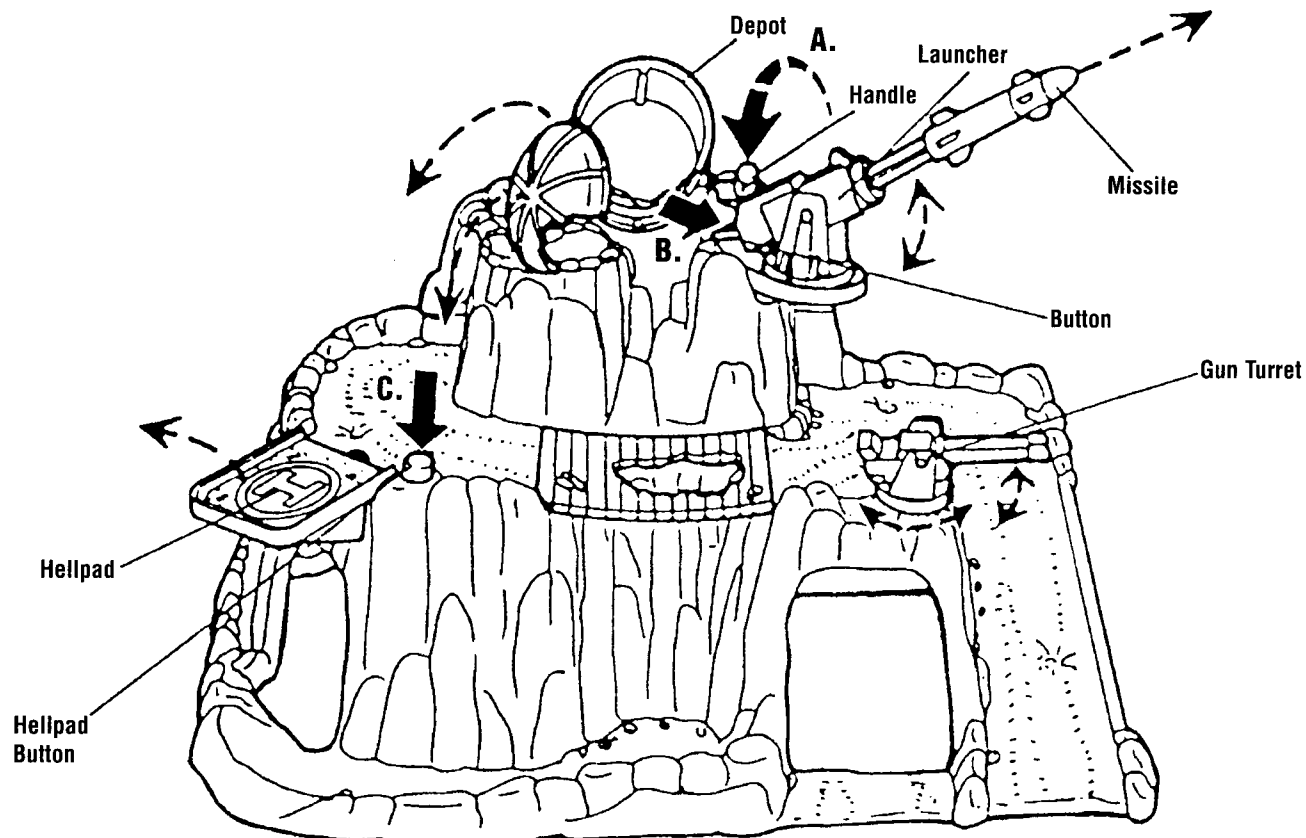
Attach launcher to launcher base. Attach assembled launcher to playset. Insert missile into launcher.

6.

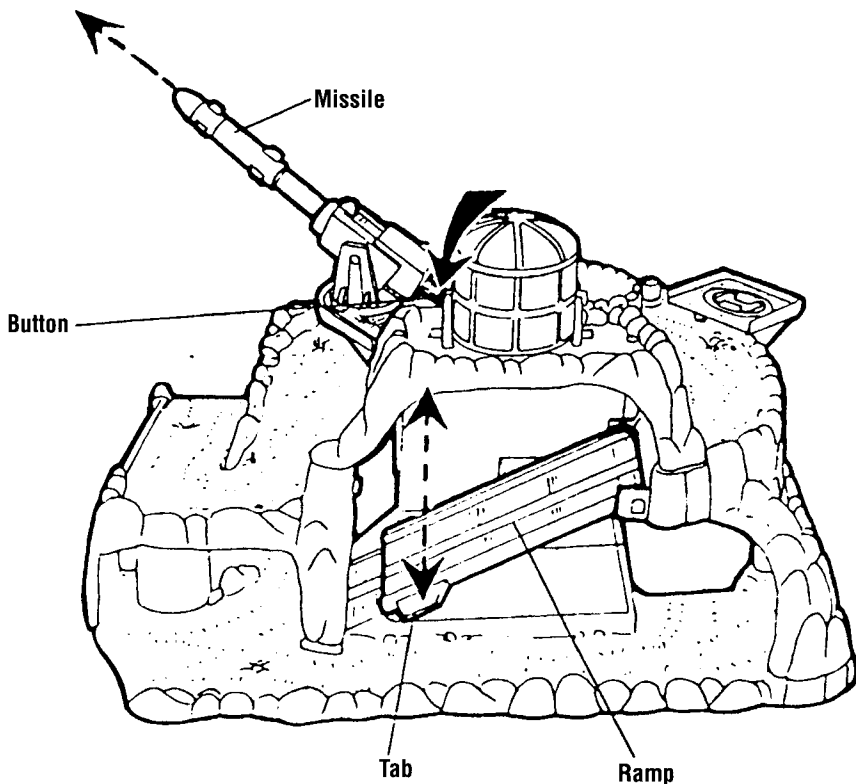
Snap posts on helipad into holes in playset.

7.

- A. Fill fuel depot with water. Tilt handle to dump water on the enemy!
- B. Press button on launcher to fire missile!
- C. Press button to "blow up" the helipad! To reset, replace helipad and press button down.



- 8.** Use tab to raise and lower the ramp.
Press button on launcher to fire missile!



Product and colors may vary.
© 2002 Hasbro. All Rights Reserved.
® denotes Reg. U.S. Pat. & TM Office.

P/N 6199520000