

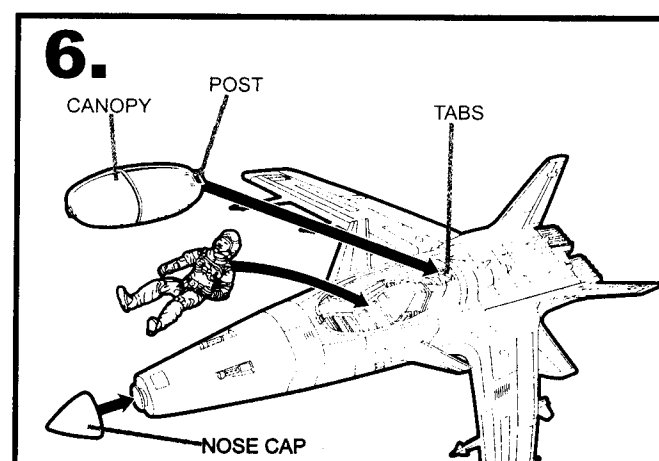
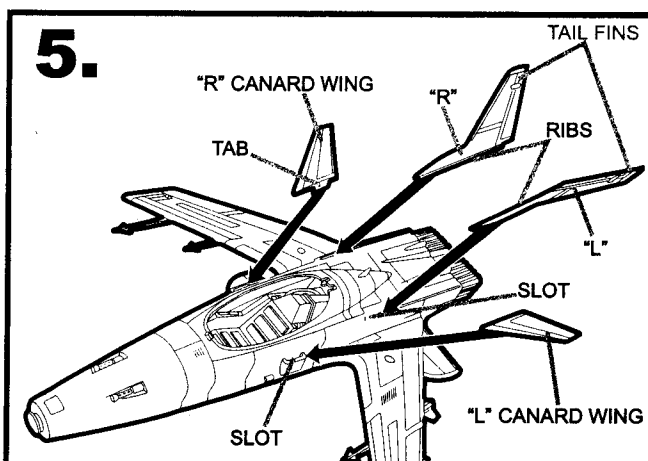
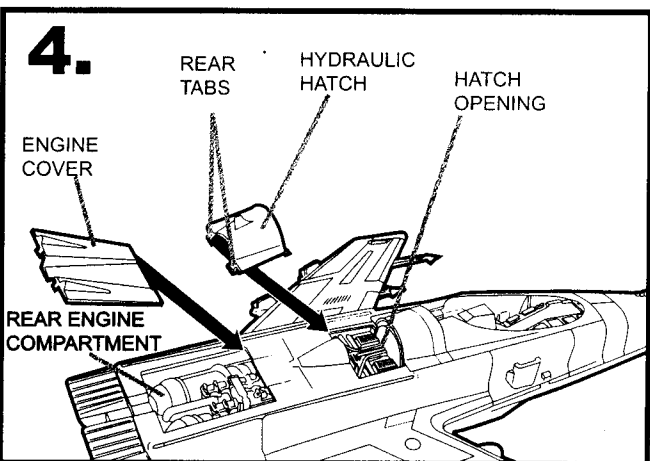
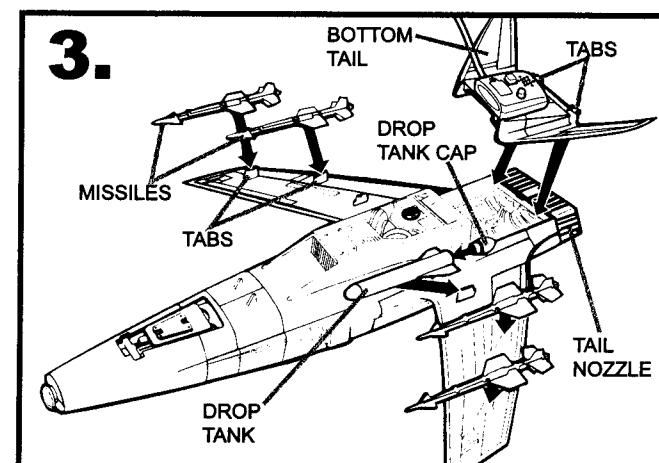
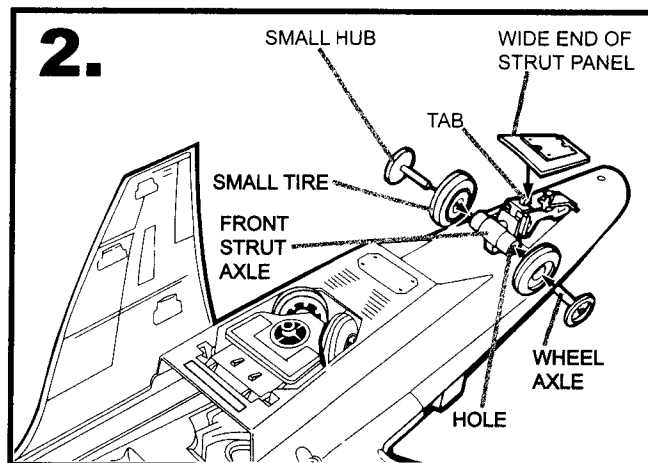
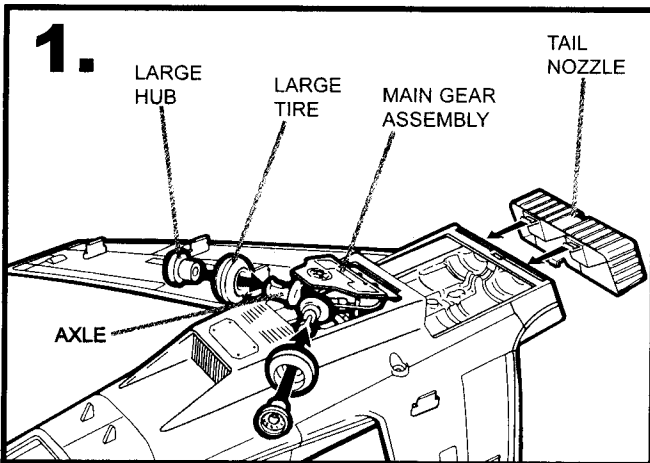
CONQUEST X-30™

ASSEMBLY

Includes unassembled vehicle, SOUND ATTACK™ unit, SOUND ATTACK™ weapon, 4 missiles, drop tank, drop tank cap, figure, label sheet and instructions.

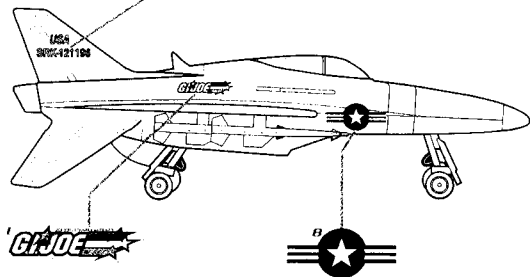
Includes 3 X 1.5V A-76 (LR44) button cell batteries. Philips screwdriver (not included) needed to replace batteries. Adult assembly required.

WARNING:
CHOKING HAZARD-Small parts.
 Not for children under 3 years.

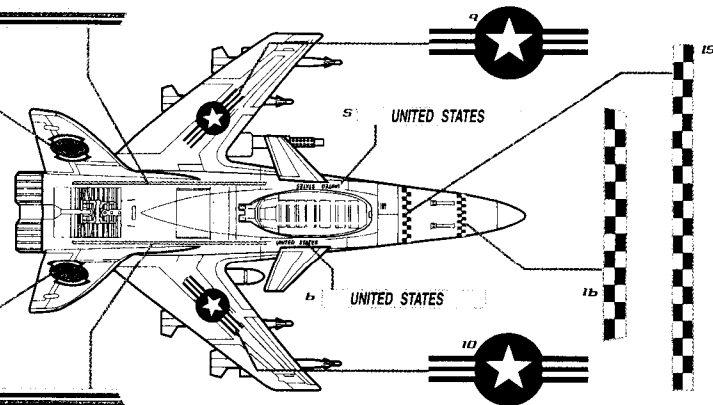
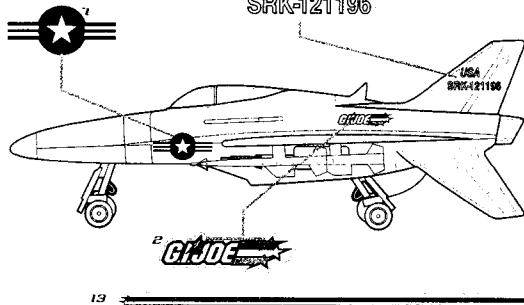


7.

USA
SRK-121196

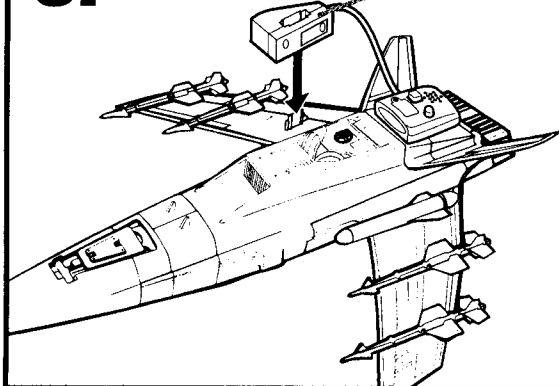


USA
SRK-121196

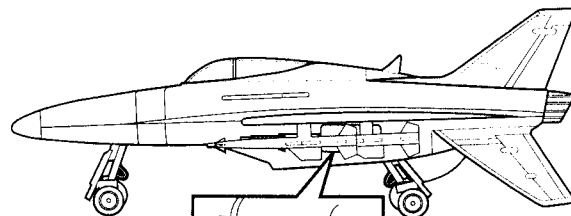


8.

SOUND ATTACK™
WEAPON HOLDER

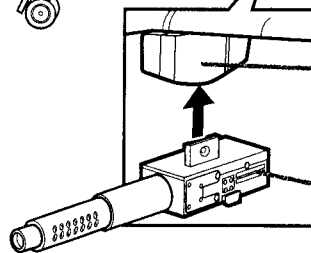


9.

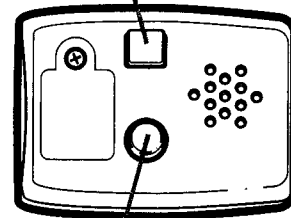


HOLDER

SOUND ATTACK™
WEAPON



ENGINE SOUNDS

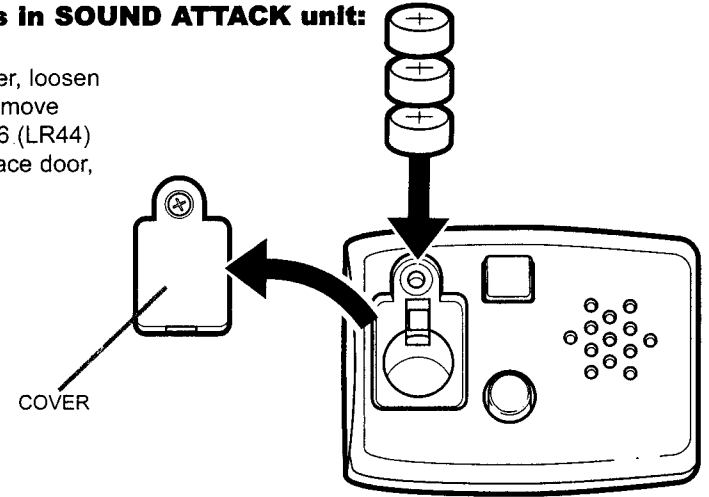


WEAPON SOUNDS

1. Insert large hubs into large tires. Turn jet upside down and lift main gear assembly. Snap hubs over axles on main gear assembly. Attach tail nozzle to jet. (ILL. 1)
2. Insert small hubs into small tires. Lift front strut. Push hubs into holes in strut axle. With wide end nearest wheels, snap holes in strut panel over tabs on strut. Push front and rear landing gear down. (ILL. 2)
3. Insert 2 rear tabs on bottom tail under tail nozzles. Snap 2 front tabs into place. Fit drop tank cap onto drop tank. Fit slot in drop tank over tab closest to fuselage. Fit slots in 4 missiles over tabs on outer wings. (ILL. 3)
4. Turn jet over. Insert 2 front tabs on engine cover into engine compartment. Push 2 rear tabs into place. Insert 2 rear tabs on hydraulic hatch into hatch opening. Push front tab into place. (ILL. 4)
5. Insert tabs on left and right canard wings (marked "L" and "R") into slots on sides of fuselage. Press ribs on left and right tail fins (marked "L" and "R") into slots in rear of jet. (ILL. 5)
6. Snap post on canopy between tabs in back of cockpit. Snap nose cap over nose of jet. Place GI JOE figure in cockpit and close canopy. (ILL. 6)
7. Peel and apply labels as shown. (ILL. 7)
8. Attach SOUND ATTACK™ weapon holder as shown. (ILL. 8)
9. To activate sounds, insert SOUND ATTACK weapon, and press button on sound unit. (ILL. 9)

To replace batteries in SOUND ATTACK unit:

Using a Phillips screwdriver, loosen screw in cover on unit. Remove cover. Insert 3 X 1.5V A-76 (LR44) button cell batteries. Replace door, and tighten screw.



CAUTION:

- 1) As with all small batteries, the batteries used with this toy should be kept away from small children who still put things in their mouths. If they are swallowed, promptly see a doctor and have the doctor phone (202) 625-3333 collect.
- 2) Make sure the batteries are inserted correctly and follow the toy and battery manufacturers' instructions.
- 3) Do not mix old and new batteries, alkaline, standard (carbon-zinc) or rechargeable (nickel-cadmium) batteries.

A REAL AMERICAN HERO

G.I. JOE

VS.

Cobra

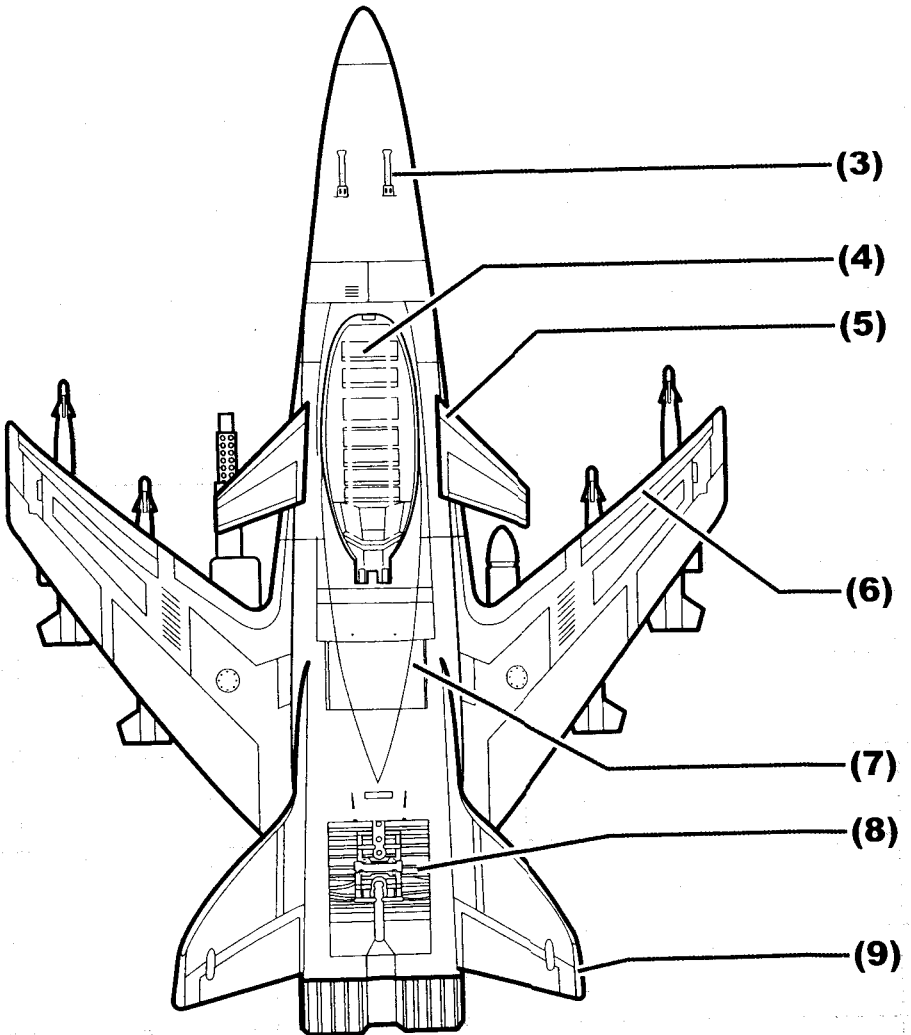
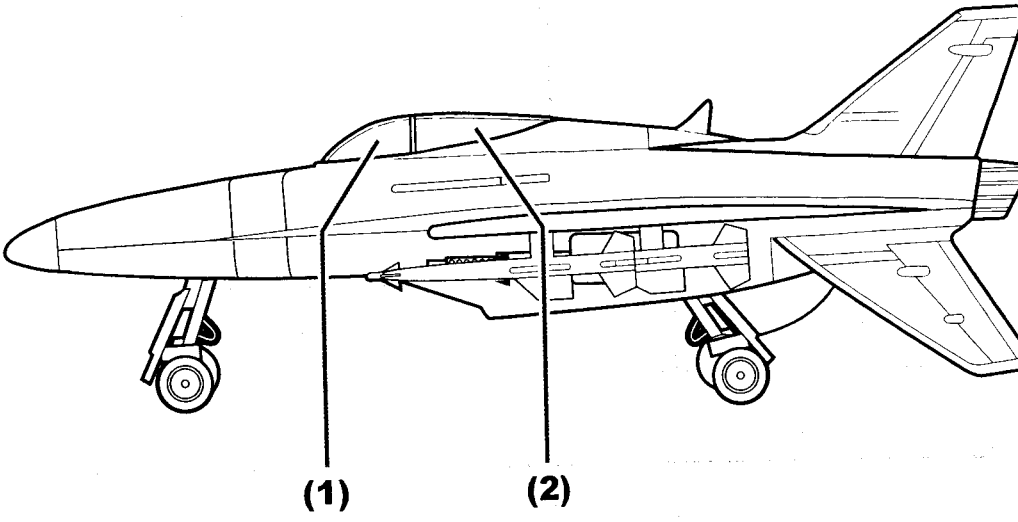
CONQUEST X-30™

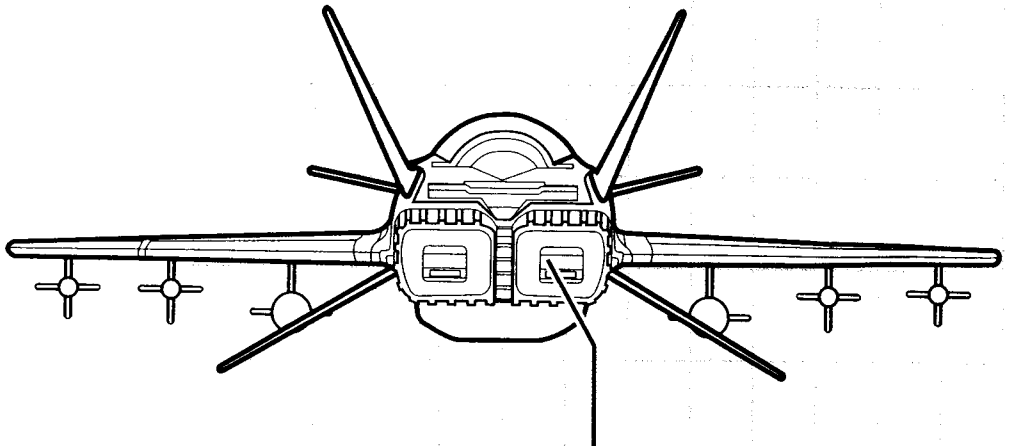
1. TILT BACK CANOPY
2. LASER GUIDANCE SYSTEM
3. 25MM. TWIN CANNONS
4. PILOT SEAT
5. HORIZONTAL STABILIZING FRONT CANARDS
6. LAYERED EPOXY/HONEYCOMB FORWARD-SWEPT WINGS
7. INTERNAL NAVIGATION COMPUTER
8. TWIN 26K LB. THRUST TURBOFAN ENGINES
9. VERTICAL STABILIZERS/RUDDERS
10. TITANIUM ALLOY FORWARD LANDING GEAR
11. "BOGEY" THREAT WARNING SENSORS
12. AIR TO AIR MISSILES
13. DROP TANK
14. SOUND ATTACK™ UNIT
15. SOUND ATTACK™ WEAPON
16. JET EXHAUST DISCHARGE VENTILATORS

gijoe.com

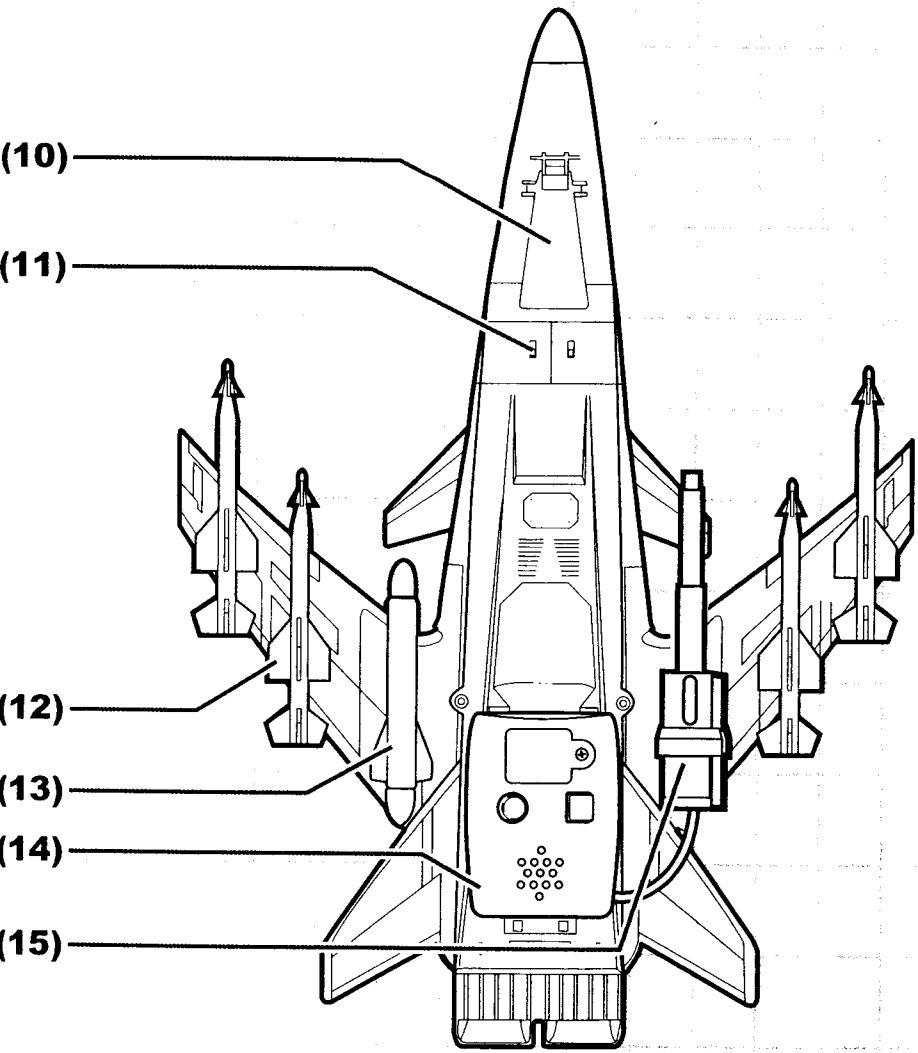
FOR NEW PRODUCTS AND OFFERS







(16)



(10)

(11)

(12)

(13)

(14)

(15)