



THE REAL AMERICAN HERO® COLLECTION

MOBAT® Motorized Offensive Battle Tank

Ages 5 & Up

57063

Some assembly required -

Phillips head screwdriver required for battery replacement. Requires 2 "D" cell alkaline batteries (not included).

CAUTION: TO AVOID BATTERY LEAKAGE

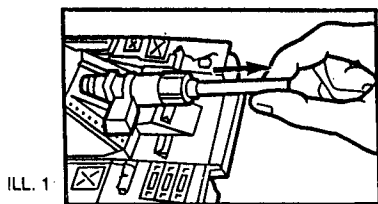
1. Be sure to insert the batteries correctly and always follow the toy and battery manufacturer's instructions;
2. Do not mix old and new batteries or alkaline, standard (carbon-zinc) or rechargeable (nickel-cadmium) batteries;
3. Always remove weak or dead batteries from the product.

WARNING:

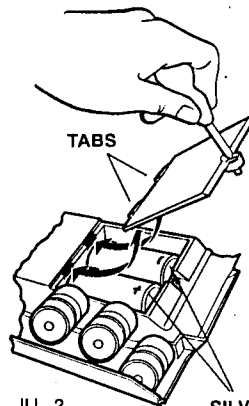
CHOKING HAZARD-Small parts. Not for children under 3 years.

CAUTION:

Hair entanglement may result if child's hair comes in contact with moving wheels of toy. Adult supervision is required.



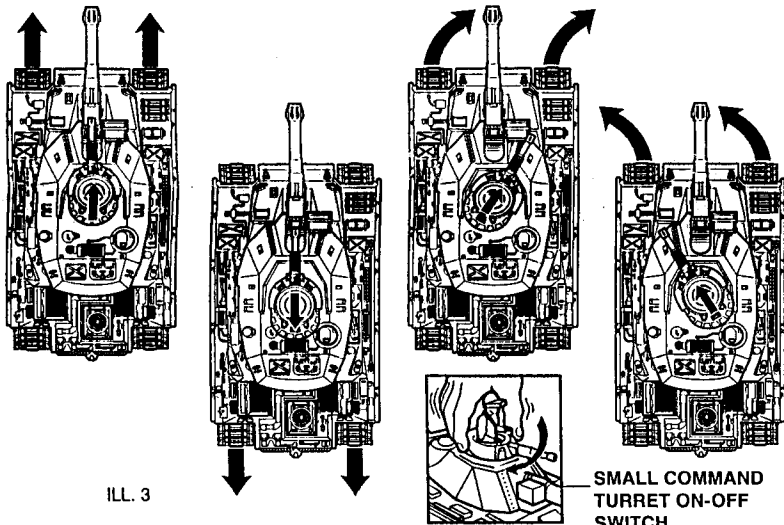
1. Pull battle cannon from cannon housing. (ILL. 1)



ILL. 2

SILVER BATTERY CONTACTS

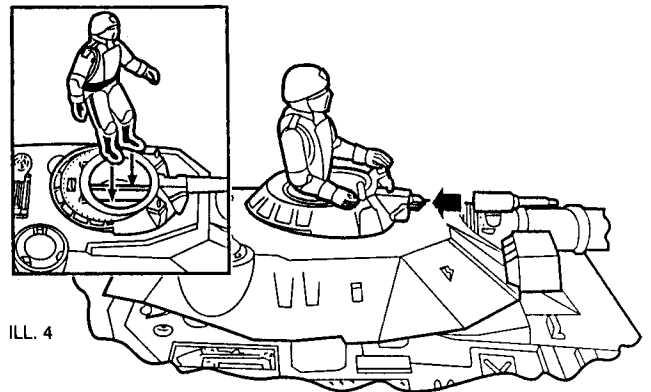
2. Rest tank on its side. Loosen screw and lift up battery door to remove. Insert 2 "D" size alkaline batteries (not included) as shown. (ILL. 2) To assure proper power supply to the motor, gently bend silver battery contacts of battery box cover so they make firmer contact with batteries. Slide cover over batteries until front tabs slide into place and tighten screw.



ILL. 3

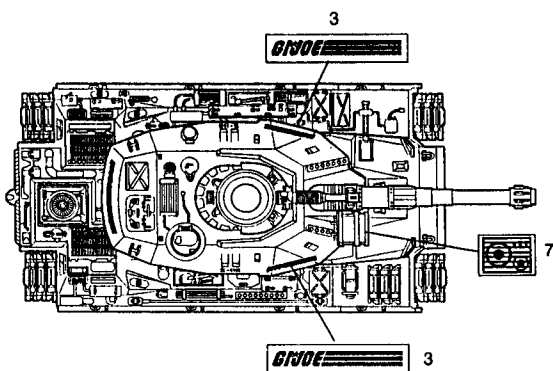
SMALL COMMAND TURRET ON-OFF SWITCH

3. The small command turret is the ON-OFF switch. Move command turret FORWARD to turn tank ON and go forward. Move command turret BACKWARD to go in REVERSE. Turn turret left or right to turn tank left or right. To turn tank OFF, be sure command turret is in CENTER POSITION between forward and reverse. (ILL. 3)

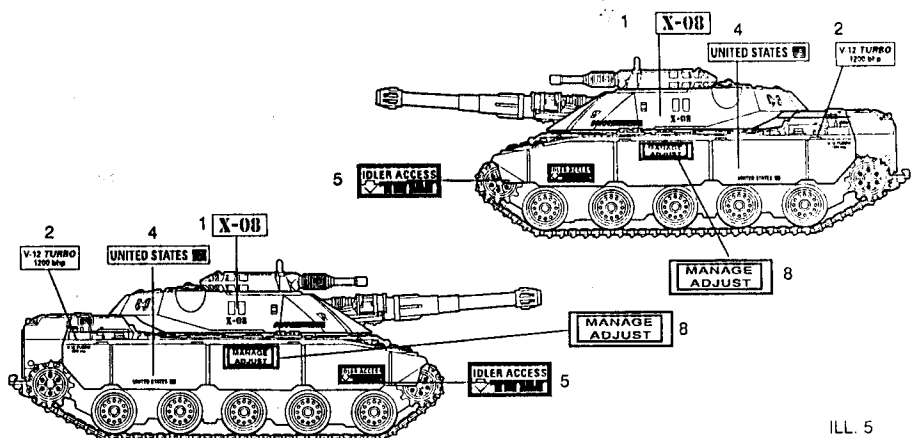


ILL. 4

4. Place figure in command turret. Slide gun into place. (ILL. 4)



5. Peel and apply labels as shown. (ILL. 5)



ILL. 5

IMPORTANT: To assure proper power supply to the motor, gently bend silver battery contacts of battery box cover so they make firmer contact with batteries. Two "D" size alkaline batteries are recommended.

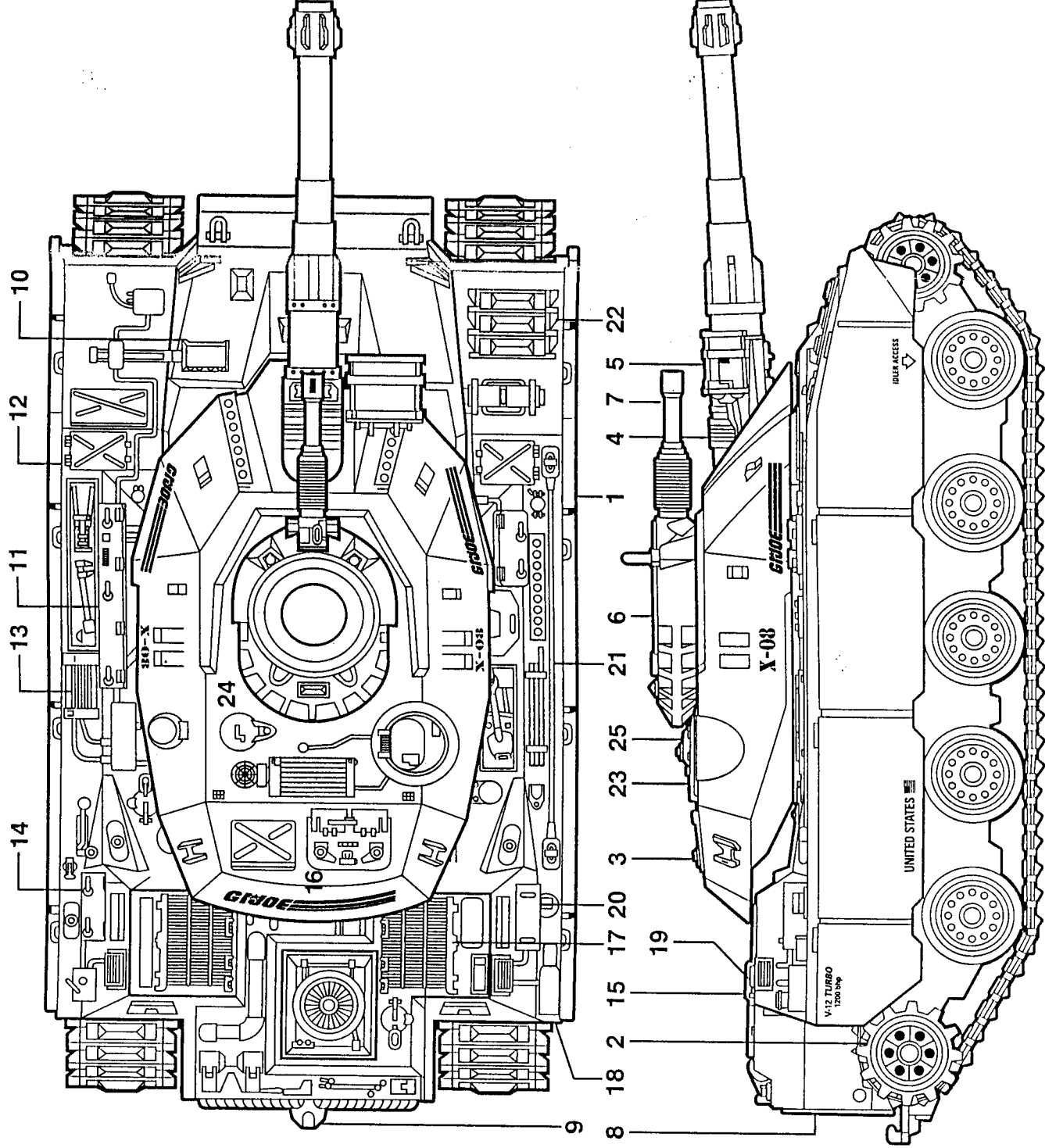
Water is the natural enemy of all battery-operated toys. Do not play with your MOBAT in water, puddles or wet mud.

NOTE: If your MOBAT hits a wall or obstacle too big to maneuver over, remove it from obstacle as quickly as possible to extend battery life. As the batteries wear down, the clutch mechanism is the first to be affected and the tank will appear to stall. Your MOBAT is not broken. Replace the batteries with fresh alkaline "D" size batteries and the problem will be corrected.

MOBAT®

Motorized Offensive Battle Tank

1. BONDED NYLON/TITANIUM ALLOY HULL ARMOR
2. MAIN DRIVE BOGEYS
3. 360° MAIN BATTLE TURRET
4. Z-68A THIN-WALL, 55-ROUND 140MM CANNON
5. ELECTRO-OPTICAL THERMOSIGHTING SYSTEM
6. DRIVE CONTROL/OBSERVATION BRIDGE
7. .50 CALIBER RAPID-FIRE MACHINE GUN
8. ENGINE MAIN RADIATOR ASSEMBLY
9. UNIVERSAL TOW HOOK
10. DIGITAL BALLISTICS COMPUTER SCANPORT
11. AIDKIT/FIELD COMMUNICATIONS EQUIPMENT
12. GROUND/REPAIR EQUIPMENT
13. CABIN CLIMATE CONTROL HEAT EXCHANGER
14. TOOLBOXES
15. SDE-2 1800 H.P. TURBINE ENGINE
16. EMERGENCY OXYGEN STORAGE CHAMBER
17. LIQUID-TO-AIR ENGINE INTERCOOLERS
18. SMOKE DISPENSING SYSTEMS
19. AUTOMATIC FCS-9A FIRE CONTROL SYSTEM
20. FIELD COMMUNICATIONS BASE STATION
21. TOW CABLE
22. EMERGENCY TRACK LINKS
23. TURRET ROTATOR MECHANISM HEAT EXCHANGER
24. RETRACTABLE PERISCOPE HATCH
25. MAIN PERSONNEL HATCH



Kenner®

© 1998 Hasbro, Inc., Pawtucket, RI 02862 USA
All Rights Reserved. ® denotes Reg. U.S. Pat. & TM Office.
MADE IN CHINA