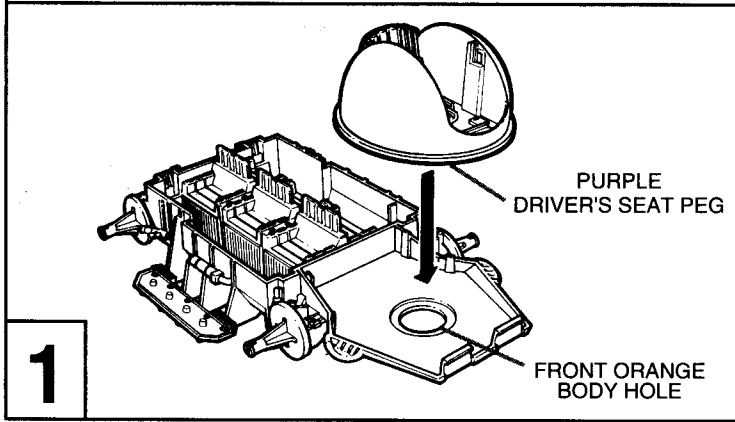
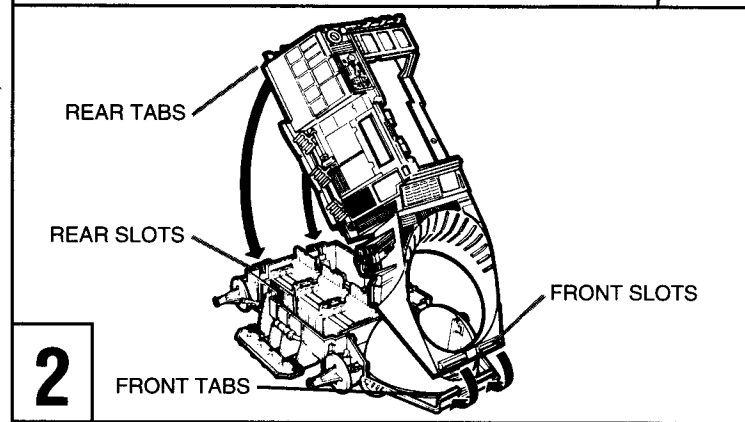


Contains: Body top and body bottom, laser chin gun, tail gun, 3 bombs, catapult, launch base, driver's seat, driver's gun, four wheels, body hatch, trigger, 2 rubber bands, label sheet and instructions.

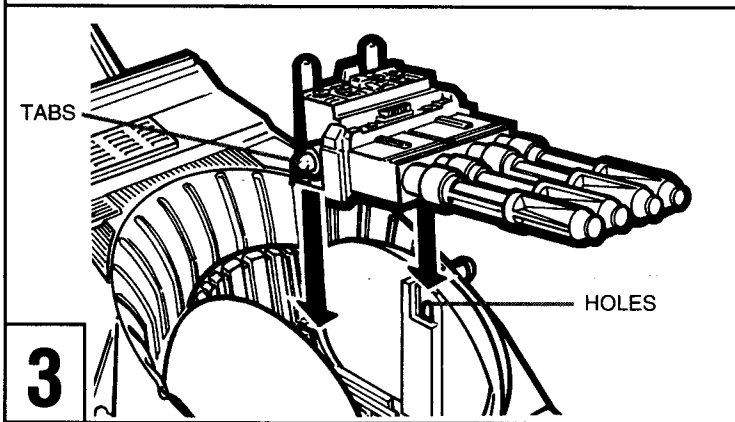
### DRIVER'S SEAT INSERTION



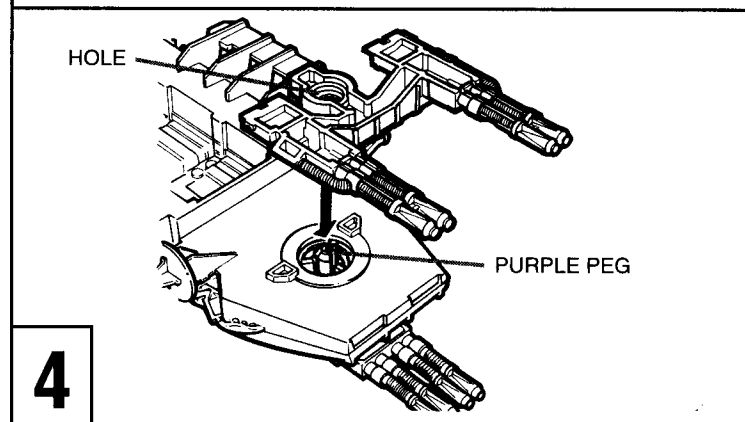
### BODY ASSEMBLY



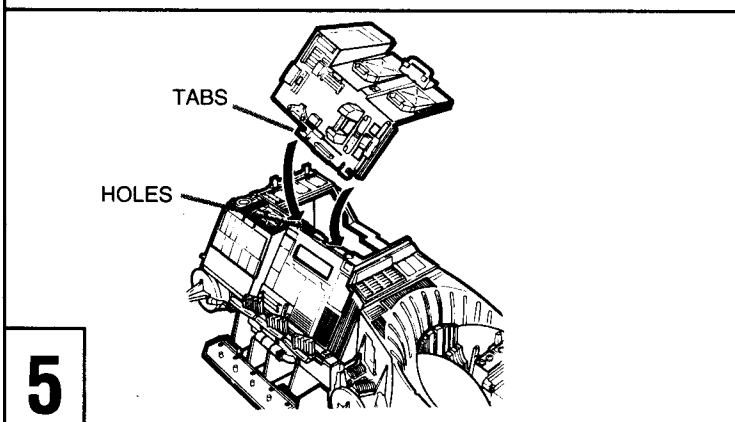
### DRIVER'S GUN INSTALLATION



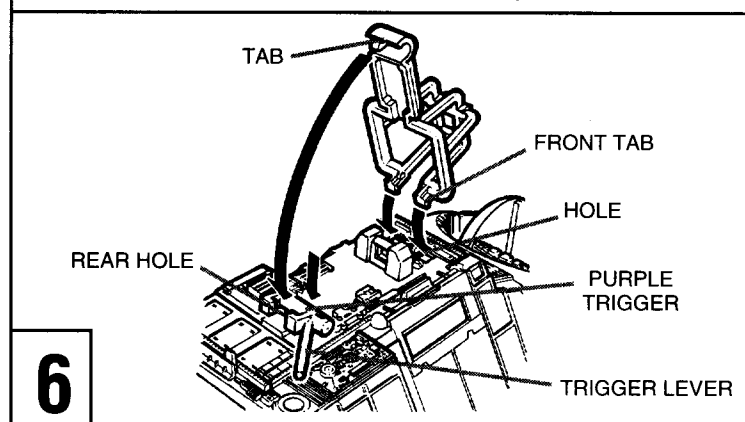
### CHIN GUN INSTALLATION



### BODY HATCH INSTALLATION

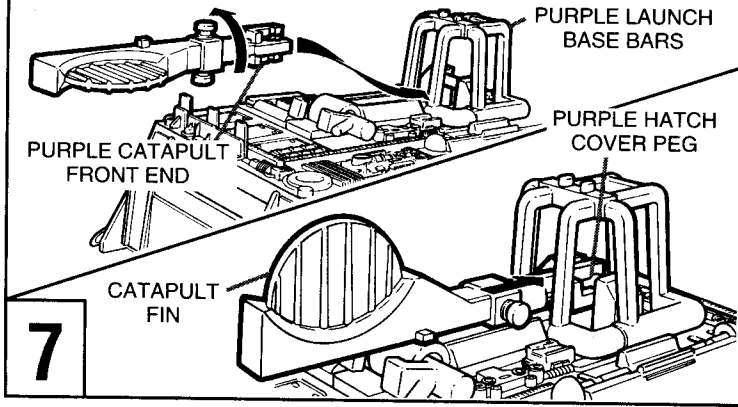


### LAUNCH BASE AND TRIGGER ASSEMBLY

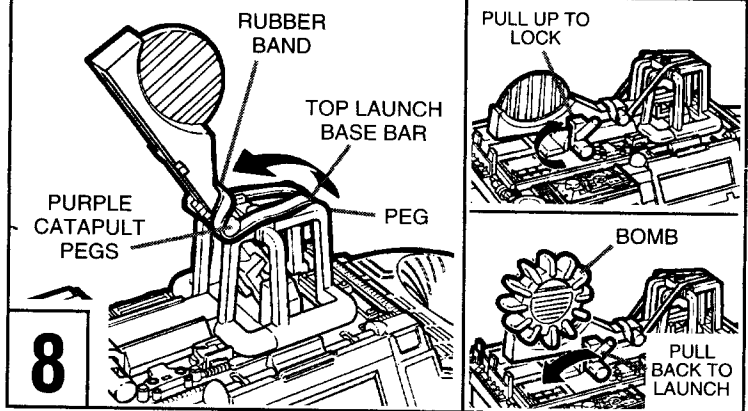


- 1 Place purple driver's seat onto front of orange body bottom with driver's seat peg inserted into front body hole. (ILL. 1)
- 2 Slide the two slots at front of orange body top onto the two tabs at front of orange body bottom and press together. Then press the back of body top to the back of body bottom so the rear tabs on body top snap into the rear slots inside body bottom. (ILL. 2)
- 3 Slide tab on one side of purple driver's gun into hole at inside top of purple driver's seat. Then press down and snap tab on other side of driver's gun into hole in other side of driver's seat. (ILL. 3)
- 4 Position the purple driver's seat and gun directly facing forward. Turn vehicle body over and position the purple chin gun parallel with the driver's seat gun. Snap purple peg extending through hole in orange body bottom into hole in chin gun. (ILL. 4) NOTE: Turn vehicle body over and make sure guns are pointing in the same direction.
- 5 Slide tab on one side of purple body hatch into hole on top of orange body as shown. Then snap tab on other side of body hatch into other hole on top of vehicle body. (ILL. 5)
- 6 Place purple trigger on top of purple body hatch into groove just in front of hole in rear of body hatch as shown. With back end of vehicle facing you, make sure trigger lever is pointing to the right side and to the rear of vehicle. Slide the two tabs at front of purple launch base into the two holes in front of body hatch. Then lower back end of launch base over trigger and snap tab at end of launch base into hole in rear of body hatch. (ILL. 6)

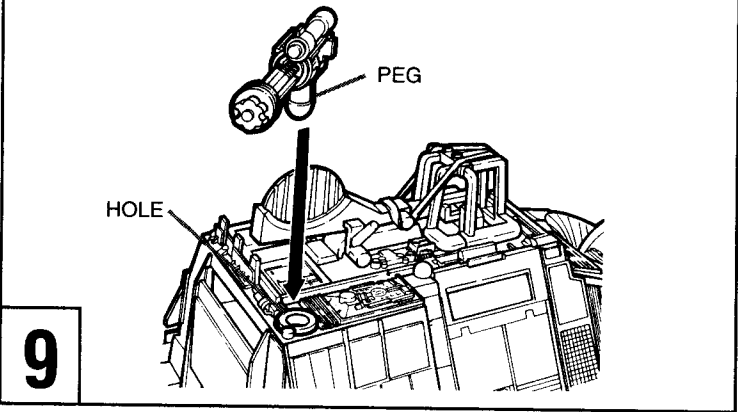
### CATAPULT INSTALLATION



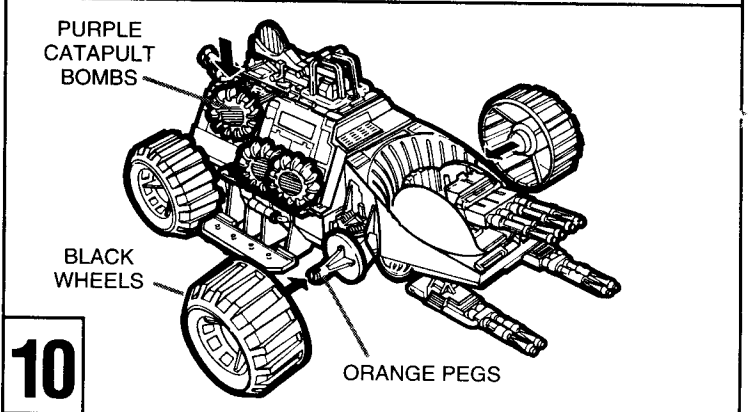
### RUBBER BAND ASSEMBLY



### TAIL GUN INSTALLATION

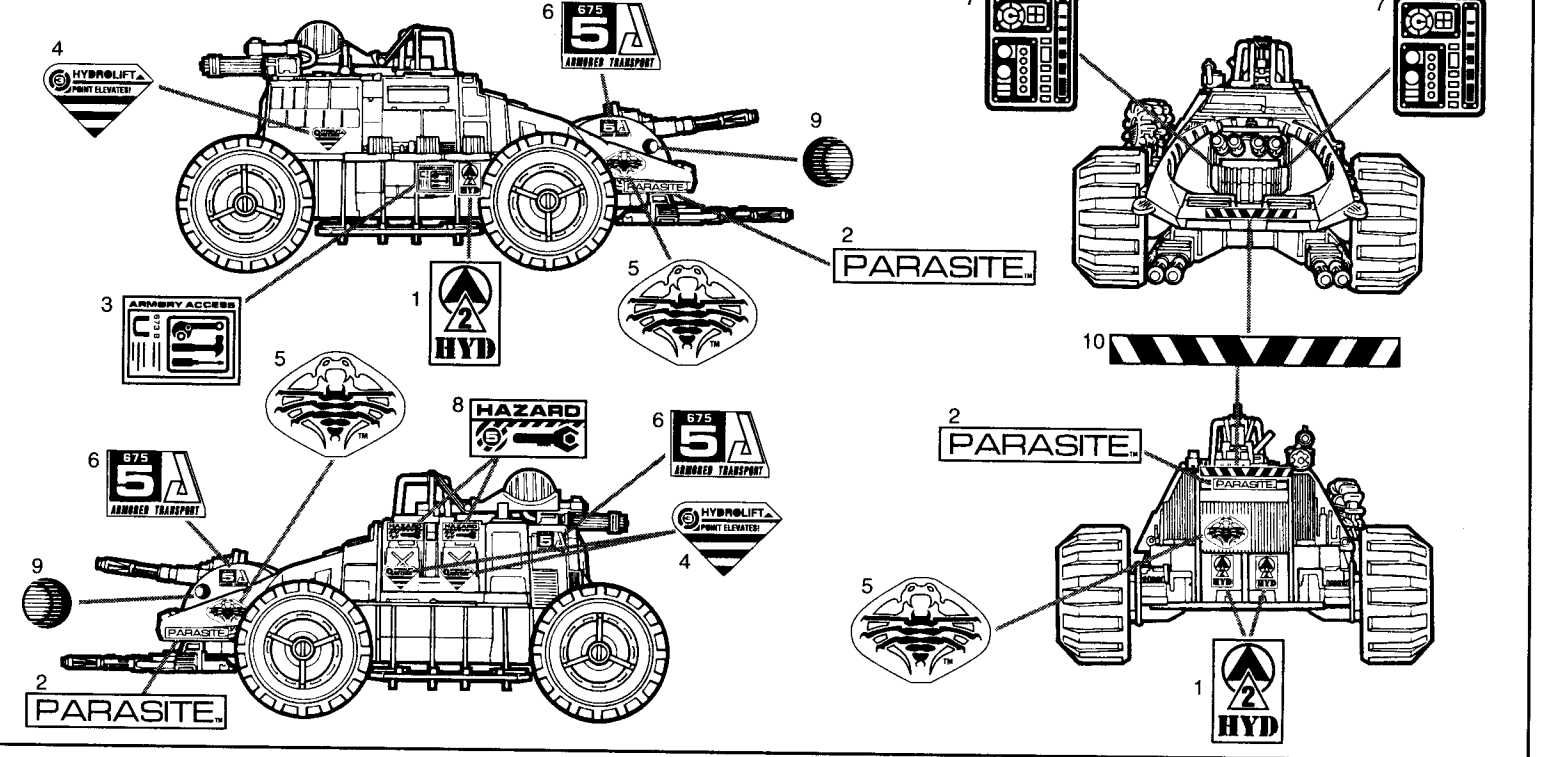


### WHEEL ASSEMBLY



- 7** Guide front end of purple catapult sideways between the bars at rear of launch base. Once inserted through bars, turn front end of catapult back to its proper position with catapult fin facing up. Snap front end of catapult onto peg at center of purple hatch cover within the launch base bars. (ILL. 7)
- 8** Hook rubber band under peg extending from top bar at front of purple launch base. With rubber band looped securely around peg, pull rubber band backward over purple launch base and hook it around the two pegs extending from both sides of purple catapult. (ILL. 8) **CAUTION:** Do not aim weapon at eyes or face.  
**TO FIRE:** Pull catapult arm down and lock into position by pushing trigger lever up and over launch tab. Place bomb on catapult fin as shown with slot pointing downwards. Pull trigger lever back to launch bomb.
- 9** Snap peg on bottom of purple tail gun into hole in rear of orange body top. (ILL. 9)
- 10** Snap the four black wheels onto four orange pegs extending from sides of vehicle body. Store purple catapult bombs on pegs as shown. (ILL. 10)

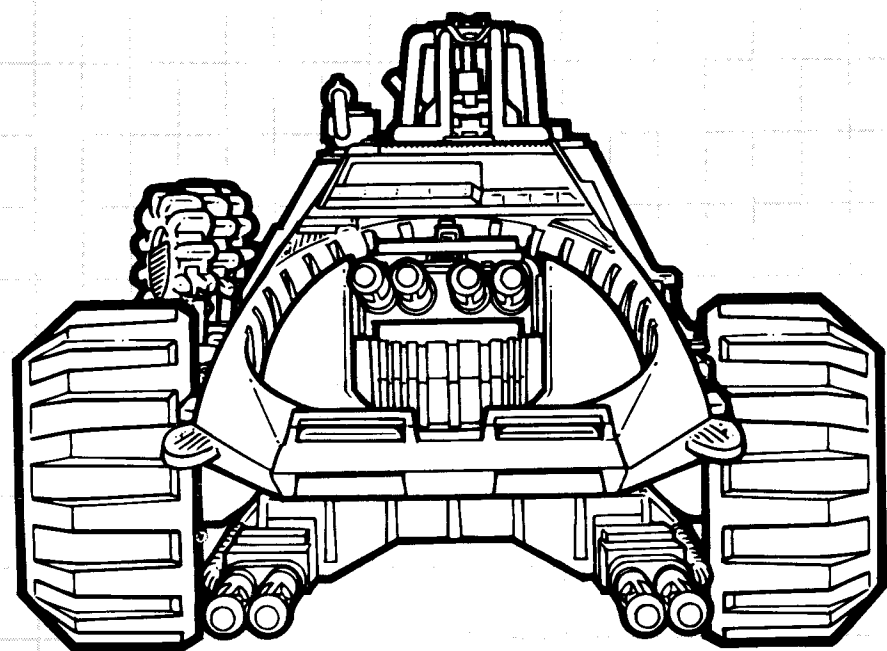
Peel and apply labels as shown.

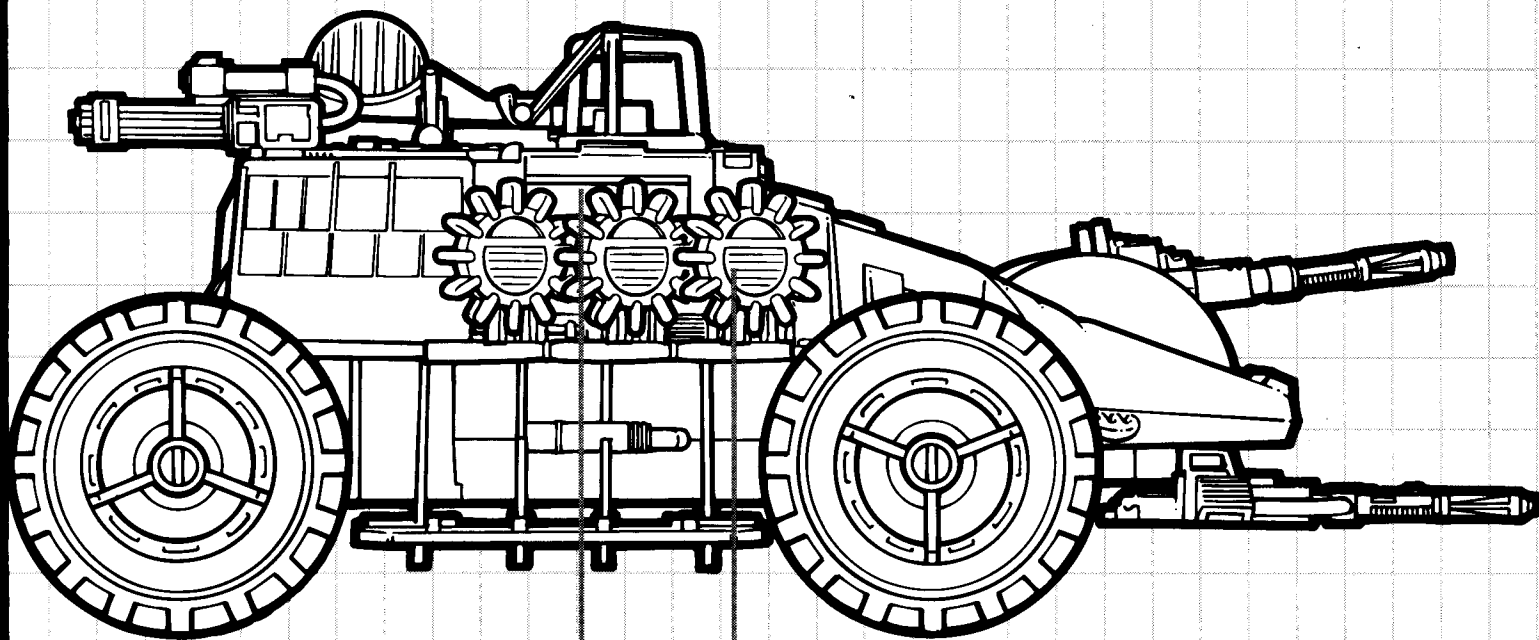


## **COBRA™ PARASITE™**

### **OFFICIAL COBRA™ VEHICLE SPECIFICATIONS**

- 1) ROTATING LASER CHIN GUN WITH HEAT SENSOR AIMING**
- 2) REVOLVING FRONT AND REAR MACHINE GUNS WITH INJECTION COOLING**
- 3) DRIVER'S COCKPIT WITH H.A.L. STEERING**
- 4) SEMI-AUTO TARGETING**
- 5) TRANSPORT COMPARTMENT THAT HOLDS 6 FIGURES**
- 6) THREE MULTI-EXPLOSIVE GYRO CATAPULT BOMBS**
- 7) PIVOTING ARMOR-PLATED TROOP HATCH**
- 8) RUNNING BOARDS ON SIDES AND BACK HOLD MORE FIGURES**
- 9) TOP-MOUNTED, MEGA-BLAST BOMB-FIRING CATAPULT**





1            2            3            4            5            6            7            8            9

