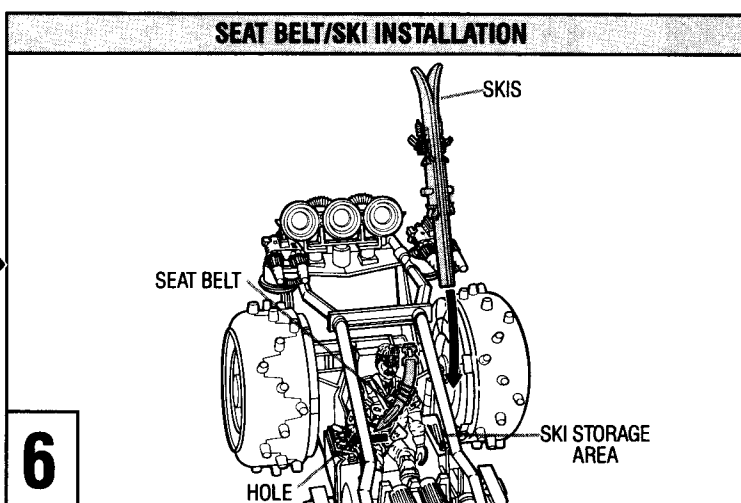
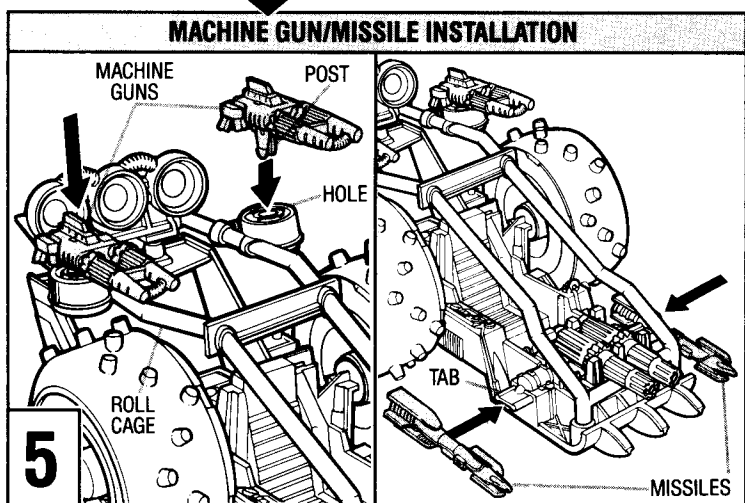
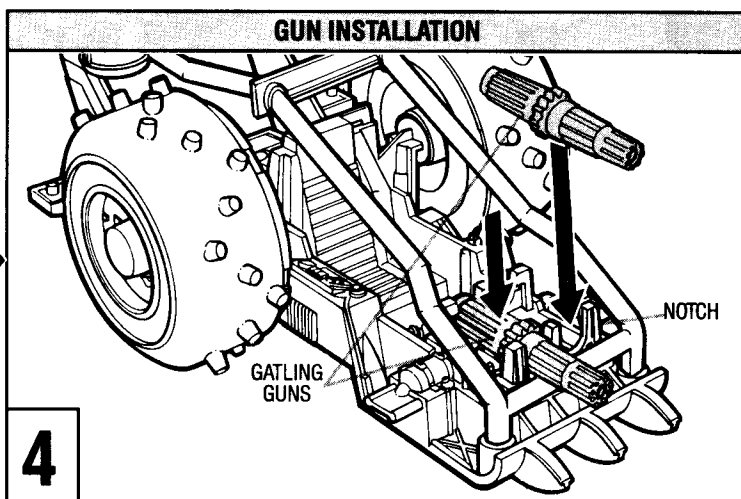
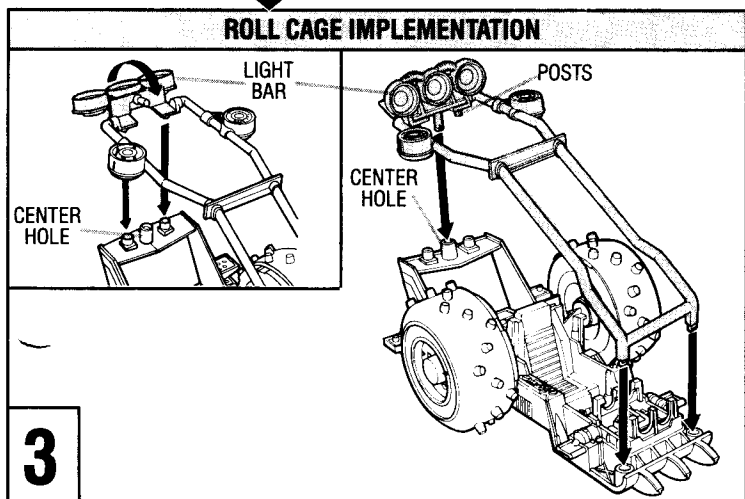
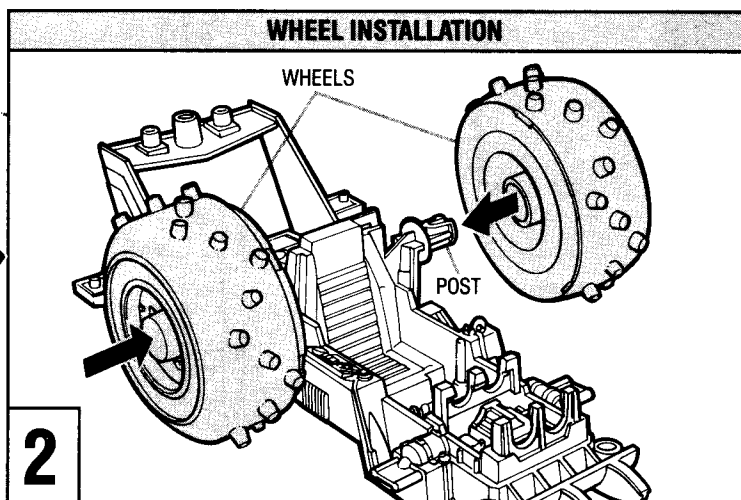
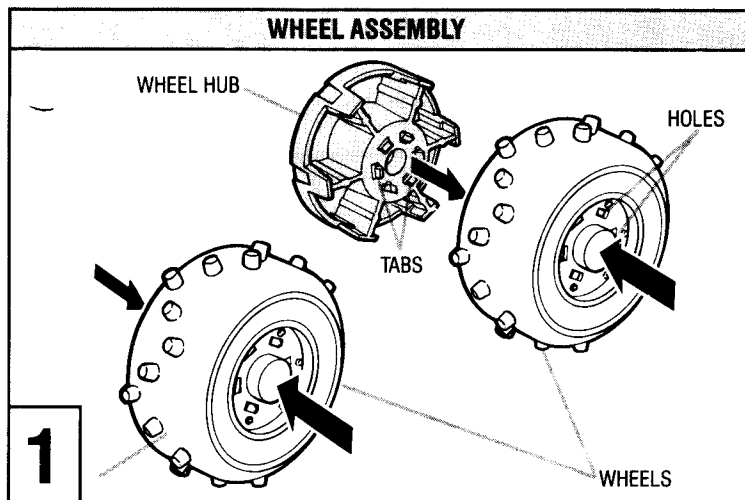


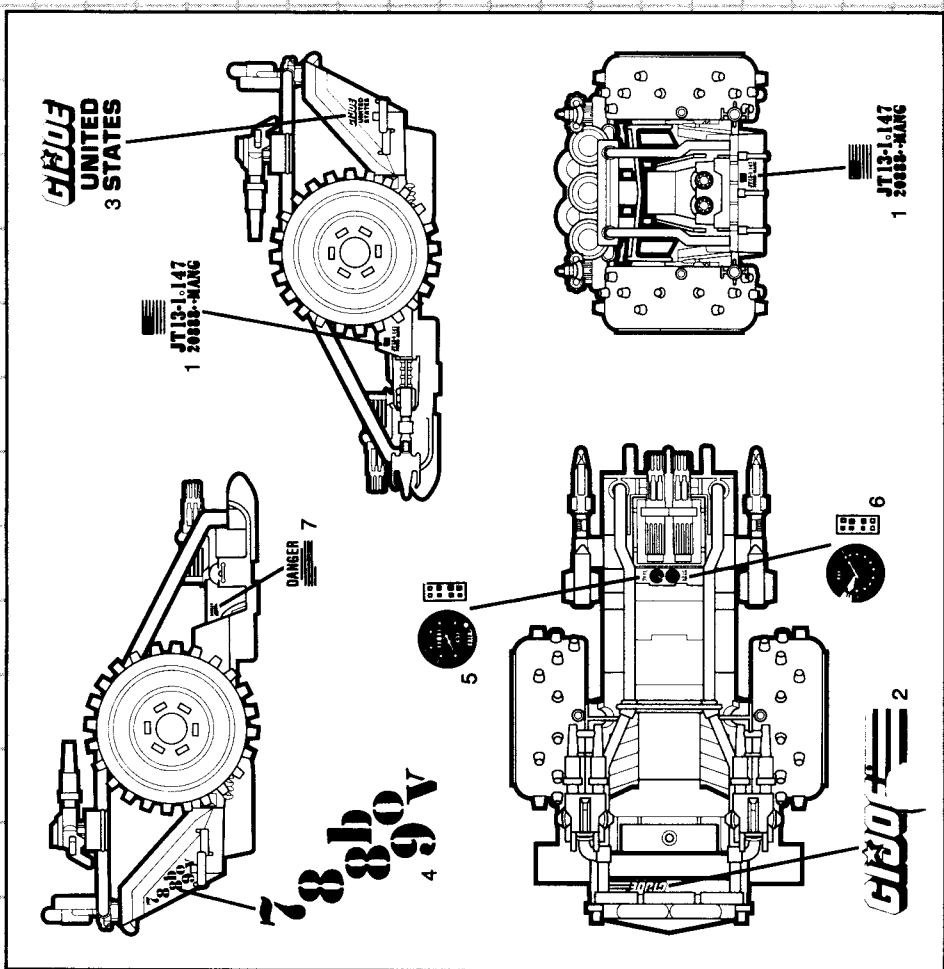
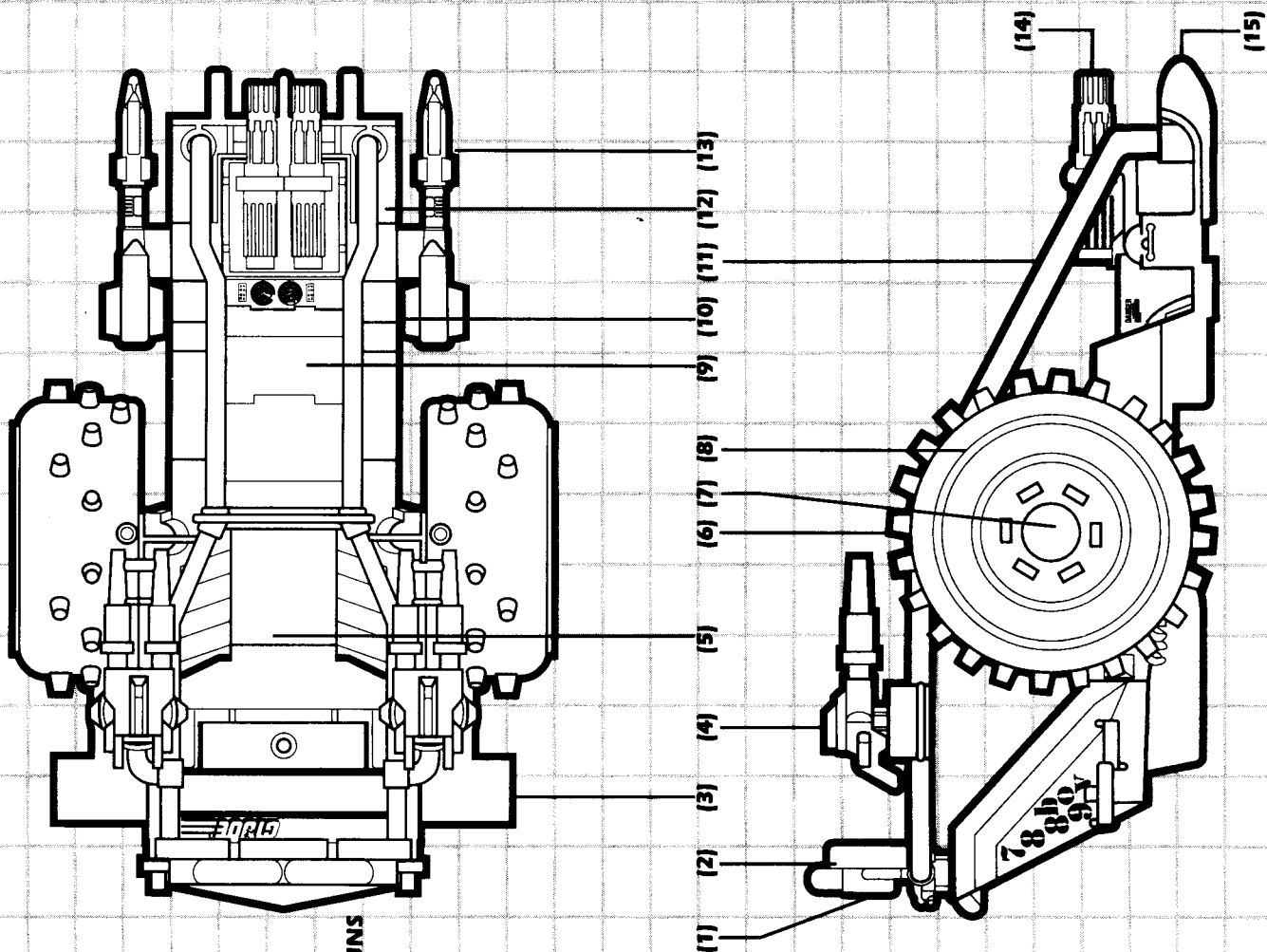
60254



- 1 Line up tabs on right wheel hub with holes in right wheel and press together as shown. Repeat for left wheel. (ILL. 1)
Snap wheels onto posts on body. (ILL. 2)
- 3 Pivot light bar straight up and align it with center hole as shown. (INSET) Snap posts on roll cage and light bar into holes in body as shown. (ILL. 3)
- 4 Snap gatling guns into notches in front end of body. (ILL. 4)
- 5 Snap posts on roll cage machine guns into holes in roll cage as shown. Snap missiles onto tabs on front end body sides. (ILL. 5)
- 6 Insert seat belt into hole above figure, then swing down other seat belt end and insert into side hole as shown. Slide skis into storage area hole next to left tire wheel well. (ILL. 6)

ARCTIC BLAST™

- 1) THERMAL COOLANT PUMP FOR HIGH-TEMP LIGHTING SYSTEM
- 2) "LASER BLAST" HIGH-INTENSITY TRIPLE HOUSING LIGHTS
- 3) REAR-MOUNTED AIR FOIL/PERSONNEL PLATFORMS
- 4) 7.62MM COAXIAL FIRING DOUBLE BARRELED MACHINE GUNS
- 5) 225 HP LFV-30 TURBODIESEL ENGINE/4-SPEED TRANSMISSION
- 6) "PUNCHER" STUDDER RUGGED TERRAIN OVER-SIZED TIRES
- 7) LIMITED-SLIP DRIVER OVERRIDE DIFFERENTIAL
- 8) PROGRESSIVE SPRING RATE/INDEPENDENT AIR SUSPENSION SYSTEM
- 9) SINGLE CREW COMMAND AND COCKPIT
- 10) DRIVER CONTROL PANEL/SERVO-ASSIST "JOYSTICK" CONTROL
- 11) COCKPIT PROTECTION MULTI-POINT REINFORCED ROLL CAGE
- 12) ALL WEATHER TARGET ACQUISITION/THERMAL MISSILE GUIDANCE
- 13) SIDE-MOUNTED AVALANCHE-CLASS "COOL CRUISER" SURFACE MISSILES
- 14) "CHAIN GANG" FORWARD-MOUNTED ARMOR PIERCING 30MM GATLING GUNS
- 15) HEAVY-DUTY SKID PLATE/DIRECTIONAL VERTICAL RUNNERS



GRABOC
UNITED STATES

JT13-147
1 20000-MANG

7
DANGER

JT13-147
1 20000-MANG

GRABOC