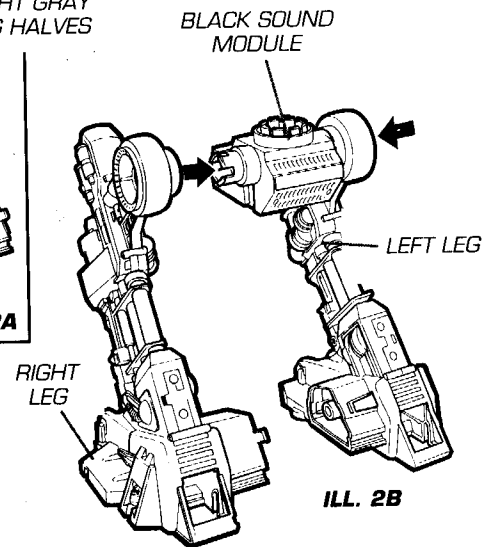
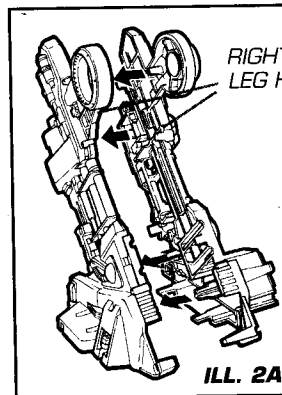
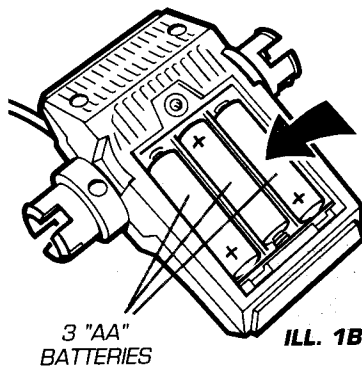
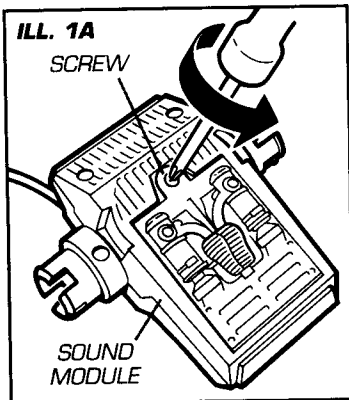


Remove all pieces from plastic frames. If you have difficulty, use safety scissors.

**CONTAINS:** Right leg halves (2), left leg halves (2), wheels (4), sound module with gun and tubing, right and left torso halves, cockpit seats, right and left cockpit halves, cockpit canopy, 12 rockets, figure, 2 antennas, right arm with launcher, claw arm assembly, left and right claw arm halves, shoulders (2), domes (4), weapons (3) and label sheet. **CAUTION:** Do not point weapons at eyes or face.

**WARNING**  
Contains small parts which may present a choking hazard to children under three.



**CAUTION: TO AVOID BATTERY LEAKAGE**

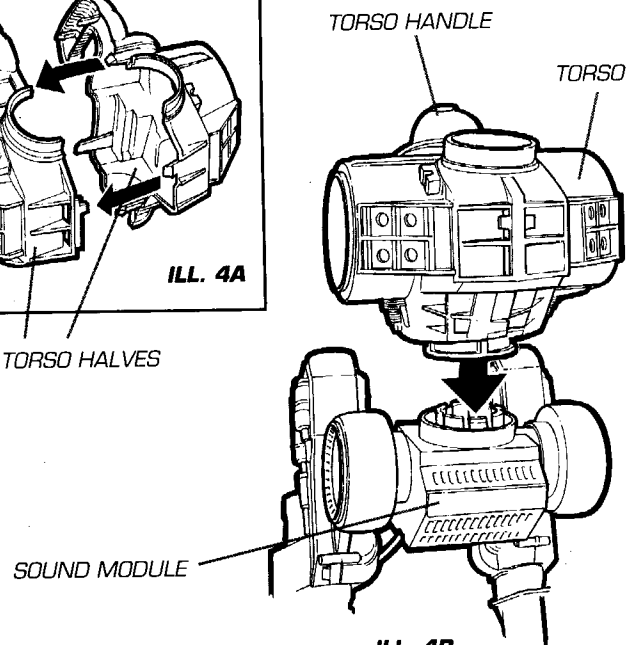
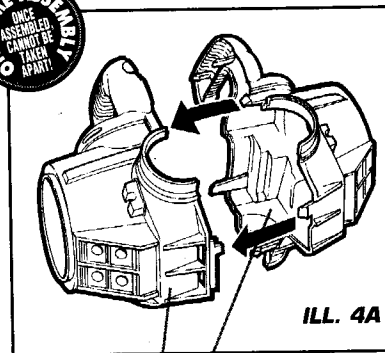
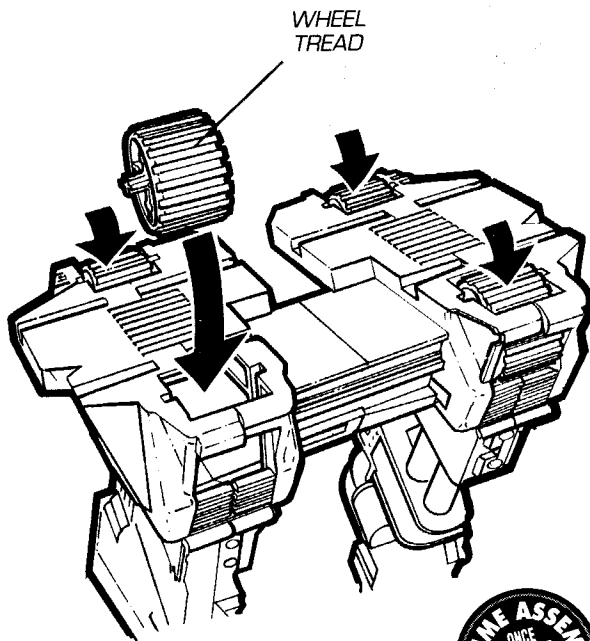
1. Be sure to insert the batteries correctly and always follow the toy and battery manufacturers' instructions.
2. Never mix old batteries and new batteries, or standard (carbon-zinc) with alkaline batteries.
3. Always remove exhausted or dead batteries from the product.
4. Remove batteries if product is stored for a long period of time.

### 1. INSERTING BATTERIES

Use a Phillips® screwdriver to remove screw from bottom of sound module (ILL. 1A). Insert 3 "AA" batteries (sold separately) into battery compartment as shown (ILL. 1B). **(Alkaline batteries recommended)**

### 2. SOUND MODULE/LEG ASSEMBLY

Snap right gray leg halves together (ILL. 2A). Repeat for left gray leg halves. With legs facing forward as shown, insert black sound module into the inside hole of left leg and snap in place with sound module buttons facing towards the back. Snap other end of sound module into the inside of right leg, then snap bottom of legs together (ILL. 2B).



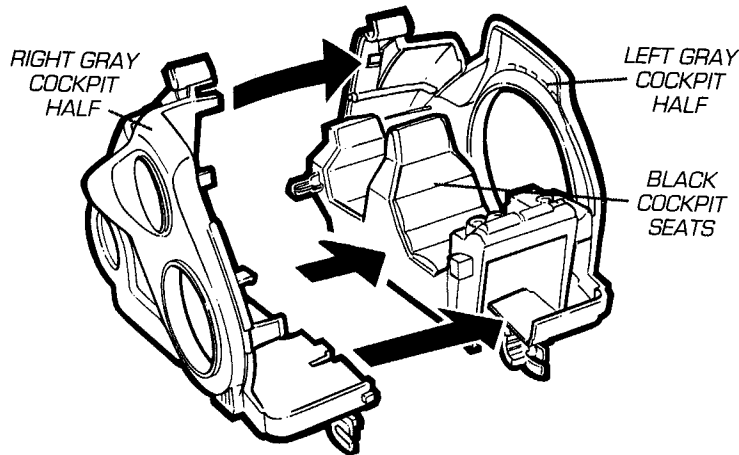
### 3. WHEEL ASSEMBLY

Turn legs upside down and snap the four wheel treads into place. Turn legs right side up.

### 4. TORSO ASSEMBLY

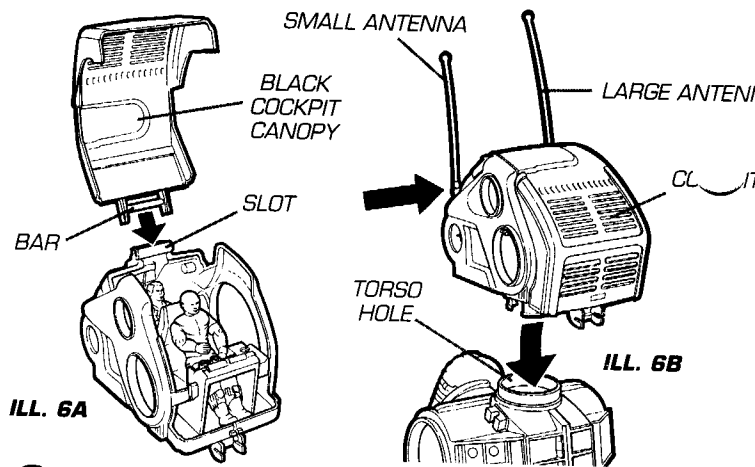
Snap right and left gray torso halves together (ILL. 4A), then snap torso down into sound module with torso handle facing towards the back (ILL. 4B).





### 5. COCKPIT ASSEMBLY

Insert rear side post and the lower front tab on black cockpit seats into the left side of gray cockpit half. Repeat with the right side of gray cockpit half and snap cockpit together.

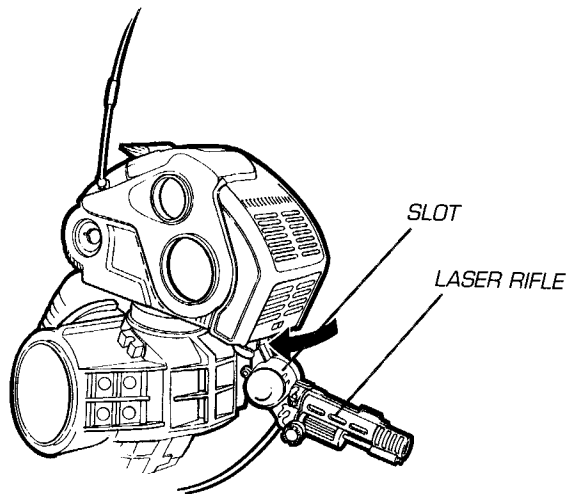


ILL. 6A

ILL. 6B

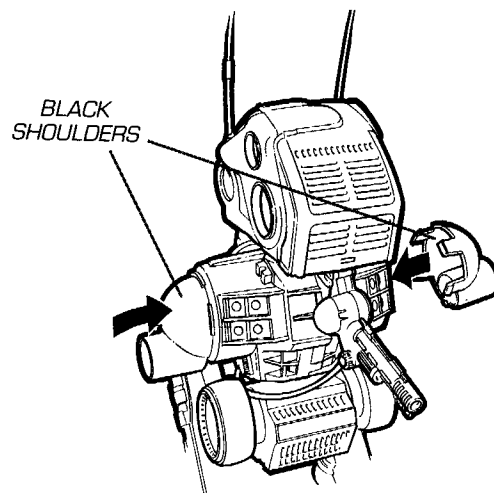
### 6. COCKPIT ASSEMBLY CONT.

Snap bar on black cockpit canopy into slot at top of gray cockpit. Canopy opens and closes to fit two G.I. Joe® figures into seats (ILL. 6A). Insert large antenna into left side of cockpit and the smaller antenna into the right side. Snap cockpit down into torso hole as shown (ILL. 6B).



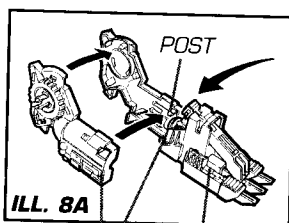
### 7. COCKPIT ASSEMBLY CONT.

Bring laser rifle with tubing around to the front. Insert end of laser rifle straight into slot below cockpit canopy until it clips into place (ILL. 6C). Rifle pivots up and down from this position.



### 8. SHOULDERS/DOME ASSEMBLY

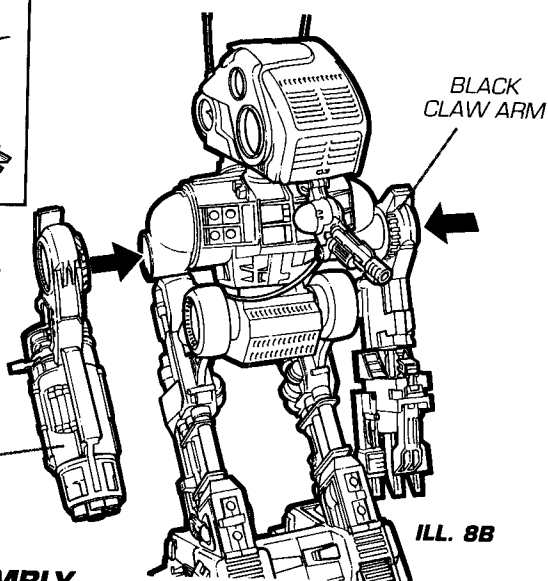
Snap black shoulders into either side of torso holes.



ILL. 8A

RIGHT CLAW ARM HALVES  
BLACK CLAW ARM ASSEMBLY

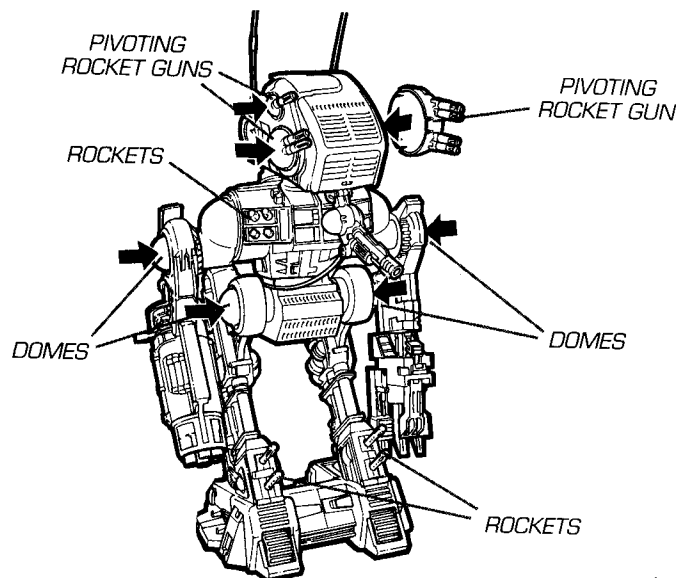
GRAY ARM CANNON



ILL. 8B

### 9. ARM ASSEMBLY

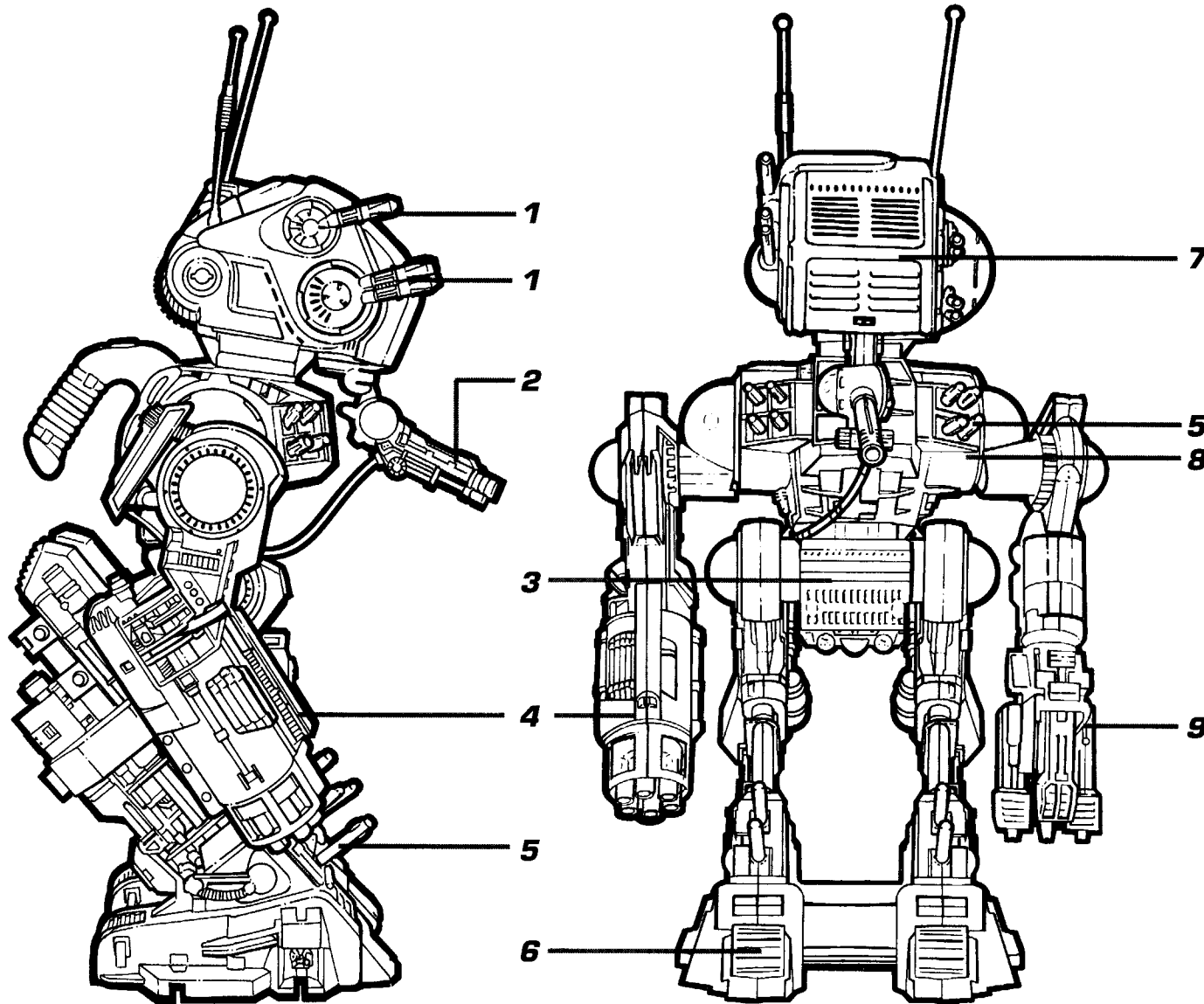
Fit black claw arm assembly post into the ribs on left black claw arm half. Fit right claw arm half over post and left claw arm half, then snap together (ILL. 8A). Snap claw arm into left shoulder socket, then snap gray arm cannon into right shoulder socket (ILL. 8B).



### 10. WEAPONS ASSEMBLY

Snap domes (4) into arms and legs as shown. Snap pivoting rocket guns (3) into sides of cockpit as shown. Rockets (12) store in Armor-Bot™ as shown.





## **ARMOR-BOT™**

### **OFFICIAL G.I. JOE VEHICLE SPECIFICATIONS**

- 1. ROCKET GUNS**
- 2. PIVOTING LASER RIFLE**
- 3. ELECTRONIC BATTLE COMMAND CENTER**
- 4. ROTATING SIX-SHOT ARM CANNON**
- 5. RESERVE ROCKET STORAGE**
- 6. ARMOR-PLATED WHEEL TREADS**
- 7. OPENING COMPUTER COCKPIT HOLDS TWO G.I. JOES**
- 8. LASER-PROOF ARMOR-PLATED BODY SHIELDING**
- 9. BATTLE-GRIP CYBER CLAW**

**HASBRO TOY**  
A DIVISION OF HASBRO INC.

Product and colors may vary. Approximate size of vehicle is 9"L x 11½"W x 18"H.

©1993 Hasbro, Inc., Pawtucket, RI 02862 U.S.A.

All Rights Reserved.

SOUND UNIT AND FIGURE MADE IN CHINA.

VEHICLE MADE IN USA.

6166 P/N 44144500