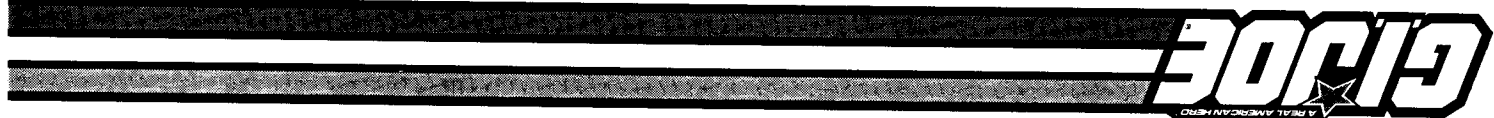
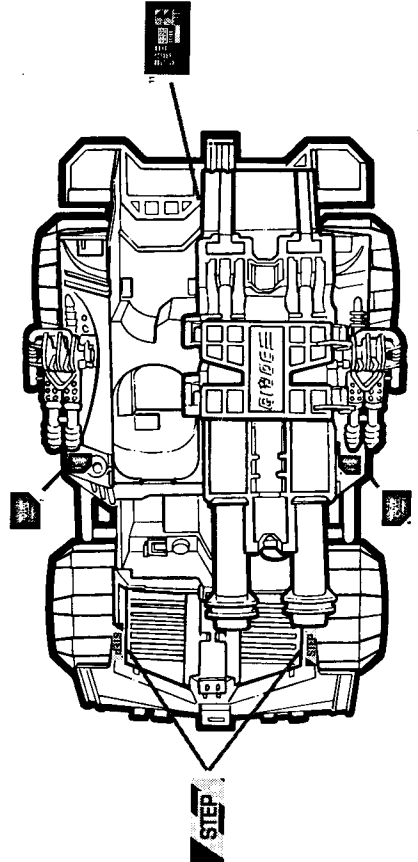
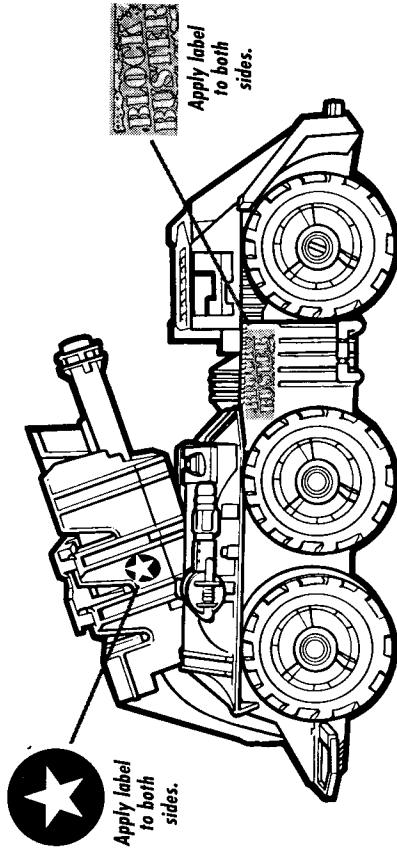
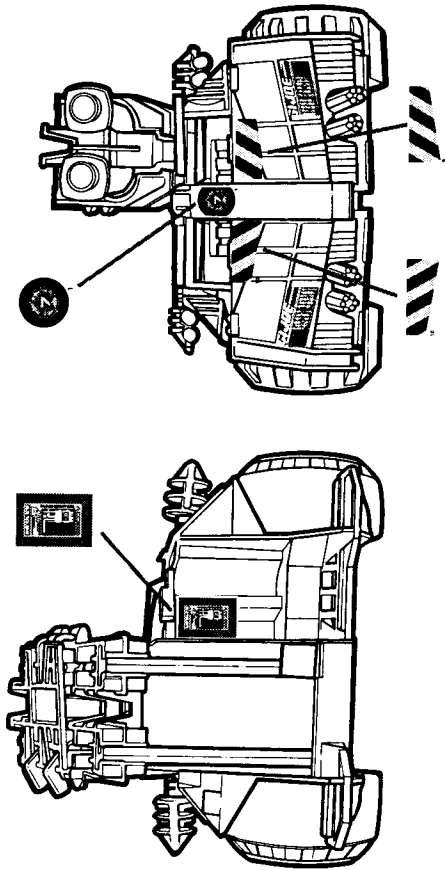


Peel and (labels as shown.



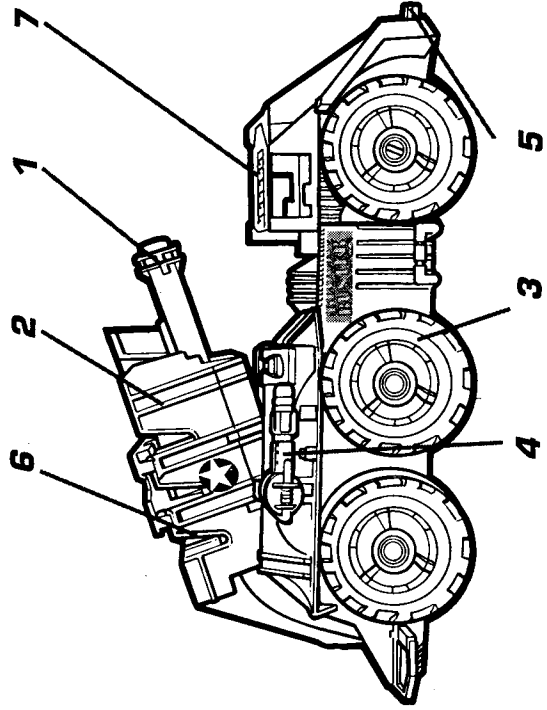
Ages: 3 & up

BLOCKBUSTER™ Instructions

Contains: Blockbuster Body, Front Cab, 2 Hatch Covers, Launcher Assembly, Launcher Door, 10 Rockets, 6 Wheels, 2 Treads, Axle, 2 Side Guns, 4 Gatling Guns, Figure and Label Sheet.

BLUEPRINT OFFICIAL G.I. JOE VEHICLE SPECIFICATIONS

1. DOUBLE-BARRELED POM POM CANNON
2. AUTO-FEEDING, 10-SHOT ROCKET CHAMBER
3. ALL-TERRAIN ARCTIC TIRES (6)
4. ANTI-AIRCRAFT GUN (2)
5. FRONT-MOUNTED GATLING GUN (4)
6. HEAT-SEEKING ROCKETS (10)
7. OPENING ARMORED HATCH COVER (2)
8. WINDCHILL™ FIGURE



Remove all pieces from plastic frames. If you have difficulty, use safety scissors.

CAUTION: Do not point weapons at eyes or face.
WARNING: Contains Small Parts Which Pose a Choke Hazard For Children Under the Age of Three.

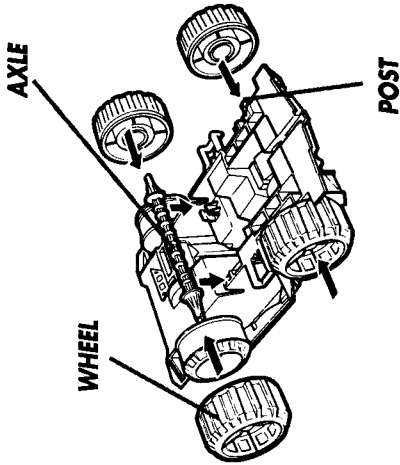
Product and colors may vary. Approximate size of vehicle is 13 3/4" L x 7 1/2" W x 7" H.
©1994 Hasbro, Inc., Pawtucket, RI 02862 U.S.A. All Rights Reserved.

MADE IN MEXICO. FIGURE MADE IN CHINA.

6147

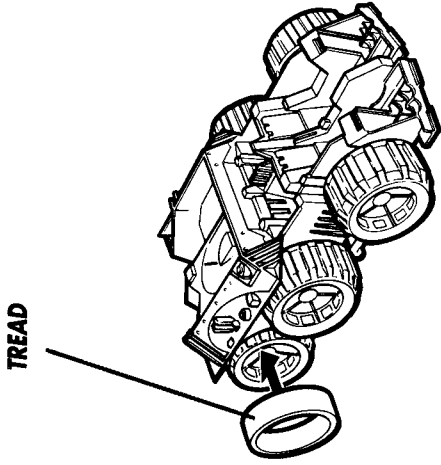
P/N44859200
Printed in Mexico

547



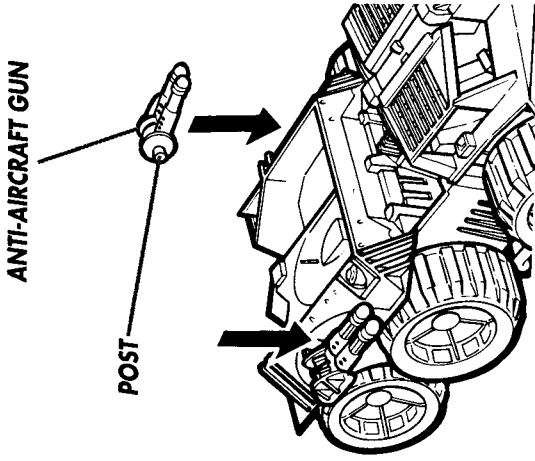
1. WHEEL ASSEMBLY

Turn vehicle body over. Snap axle into place. Snap wheels (4) onto axle posts.



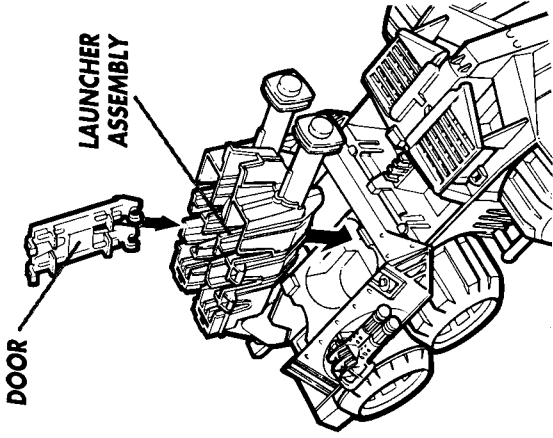
2. TREAD ASSEMBLY

Turn vehicle right side up. Fit treads (2) over the two rear wheels.



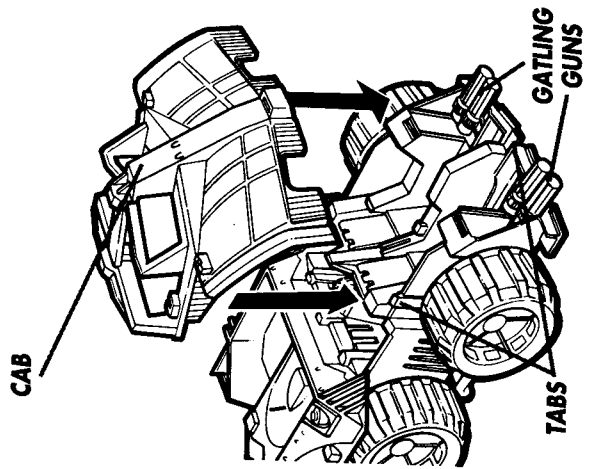
5. ANTI-AIRCRAFT GUN ASSEMBLY

Snap gun post into place as shown. Repeat on other side.



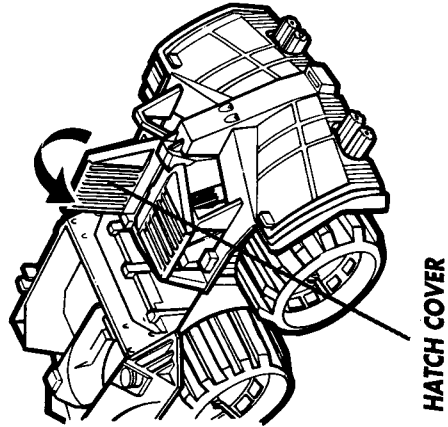
6. LAUNCHER INSTALLATION

Guide launcher assembly down into the back of vehicle and snap into place. Snap launcher door into position as shown.



3. GATLING GUN/CAB ASSEMBLY

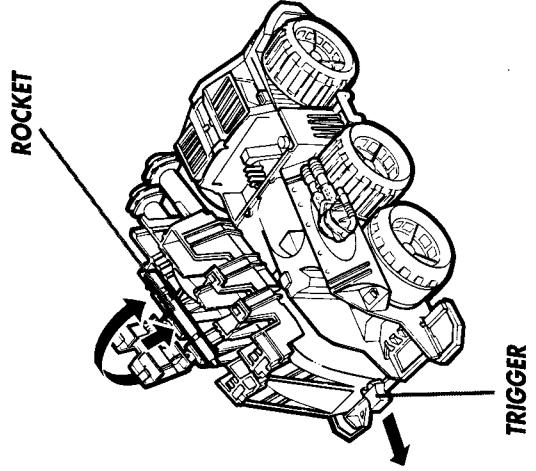
Fit Gatling guns (4) into position shown. Press cab down until front and side tabs snap into place.



4. HATCH COVER ASSEMBLY

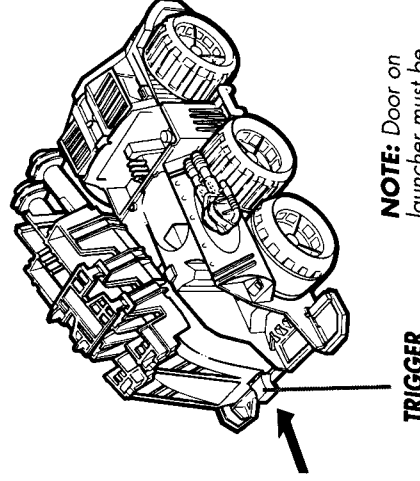
Fit hatch covers (2) into place as shown. Hatch covers are designed to open and close.

CAUTION: Do not aim launcher at eyes or face.



7. ARMING LAUNCHER

Pull out launcher trigger to disengage firing mechanism. Insert five rockets into each side of launcher bay. Close launcher door.



NOTE: Door on launcher must be closed before firing.

8. FIRING LAUNCHER

Push in trigger to activate firing mechanism. Roll vehicle forward to fire rockets from both launcher barrels. G.I. Joe® figures fit onto