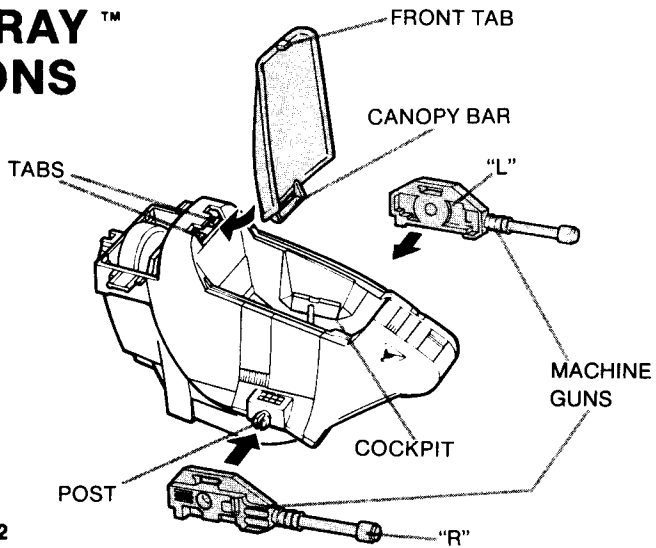
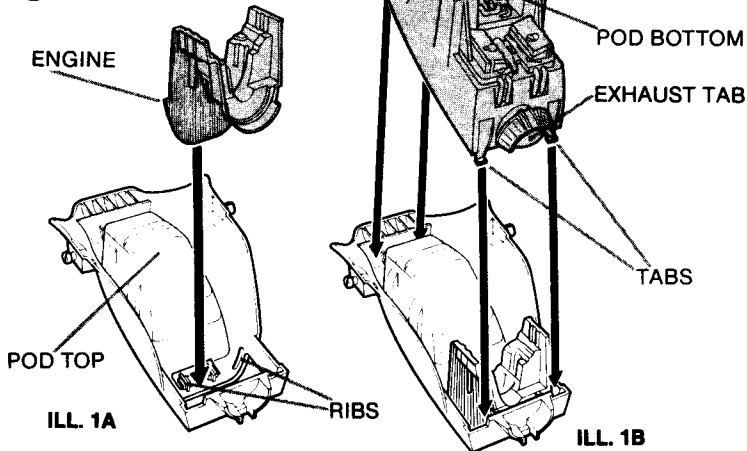


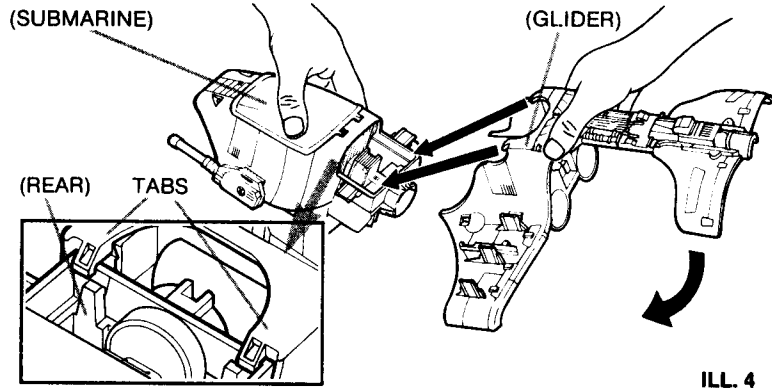
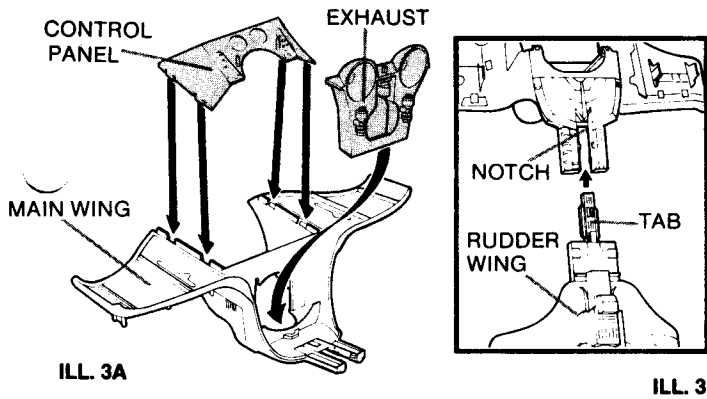
Remove all pieces from plastic frames. If you have difficulty, use safety scissors.

COBRA SEA RAY™ INSTRUCTIONS



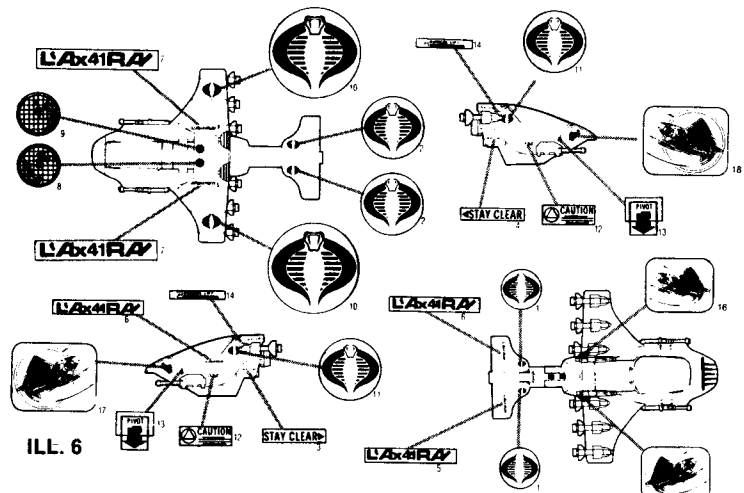
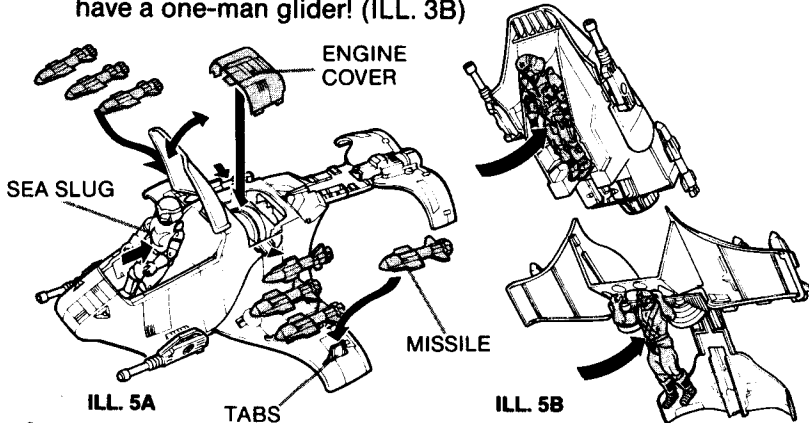
- A** Turn pod top over. Fit top of engine between ribs in pod top. (ILL. 1A)
B Turn pod bottom over. Fit exhaust tab over rear of pod top and snap 4 tabs into place. (Make sure rear exhaust is completely closed.) (ILL. 1B)

- A** With canopy in upright position, snap canopy bar between tabs in back of cockpit. Snap front tab down to close canopy. Snap left machine gun (marked "L") onto post on left side of cockpit. Repeat with right machine gun (marked "R"). It's a one-man submarine!



- A** Turn main wing upside down. Slide exhaust into main wing as shown and snap into place. Snap tabs on control panel into holes in wing as shown. (ILL. 3A)
B Turn main wing right side up. Slide tab on rudder wing into notch on main wing and snap into place. Now, you have a one-man glider! (ILL. 3B)

- Attach one-man glider to submarine to form the Sea Ray! Hook tabs on glider over rear of submarine (SEE INSET). Swing glider down to lock onto submarine. To separate glider and submarine, reverse step. (ILL. 4)



- A** Fit engine cover over engine opening. Fit missiles onto tabs on each side of engine and on main wings. Place Cobra navigator, Sea Slug in cockpit. (ILL. 5A)
B The Sea Ray air attack craft splits into 2 separate attack units, a one-man glider and a manned submarine! Holds 2 more figures on backpegs. (Other figures sold separately.) (ILL. 5B)

- Peel and apply labels as shown. (ILL. 6)

COBRA SEA RAY

- 1) HYDRO-SEAL IMPACT-PROOF CANOPY
- 2) "SMOOTH-FLOW" PRIMARY LIFTING SURFACE WINGS
- 3) SPECIALLY-HARDENED ENTRY NOSE
- 4) HYDRODYNAMICALLY-SHAPED FORWARD ATTACK CRAFT
- 5) "PULVERIZER" 30 MM SEALED COMBUSTION CANNONS
- 6) REINFORCED IMPACT-CUSHIONING COMMAND SEAT
- 7) HYDROJET PROPULSION SYSTEM
- 8) "THRUSTER" MACH 2 26K LB. TURBOJET ENGINE
- 9) LAYERED BORAN/EPOXY FUSELAGE
- 10) INVERSE-FLOW REAR STABILIZER
- 11) HUD (HEAD UP DISPLAY) PILOT GUIDANCE SYSTEM
- 12) SUPER-REINFORCED FUSELAGE SEPARATION JUNCTION
- 13) LOWER STABILIZING FINS
- 14) DUAL PERSONNEL OPERATION/TRANSPORTATION PLATFORM
- 15) "SNAKE ATTACK" 200 LB. AIR-TO-SURFACE MISSILES

