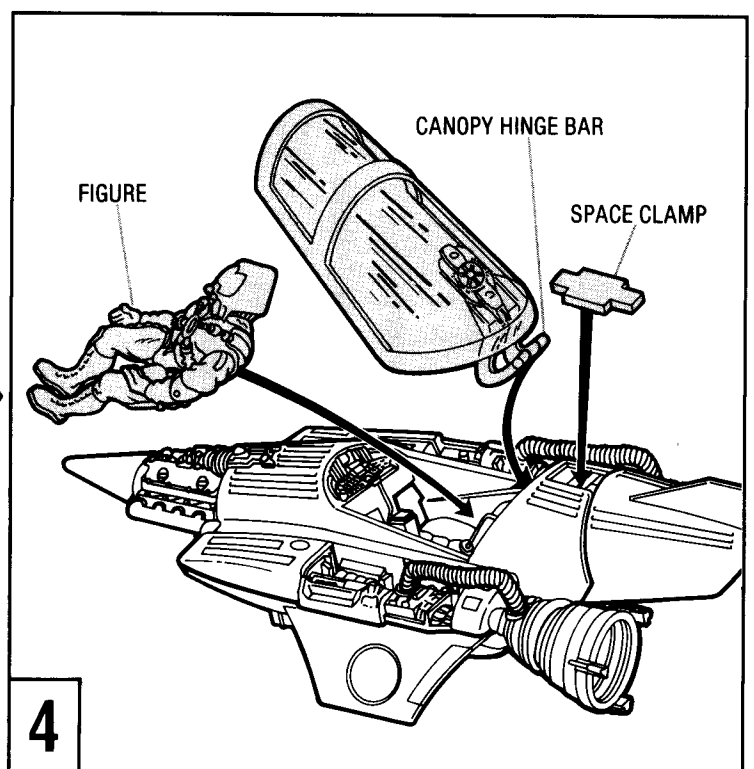
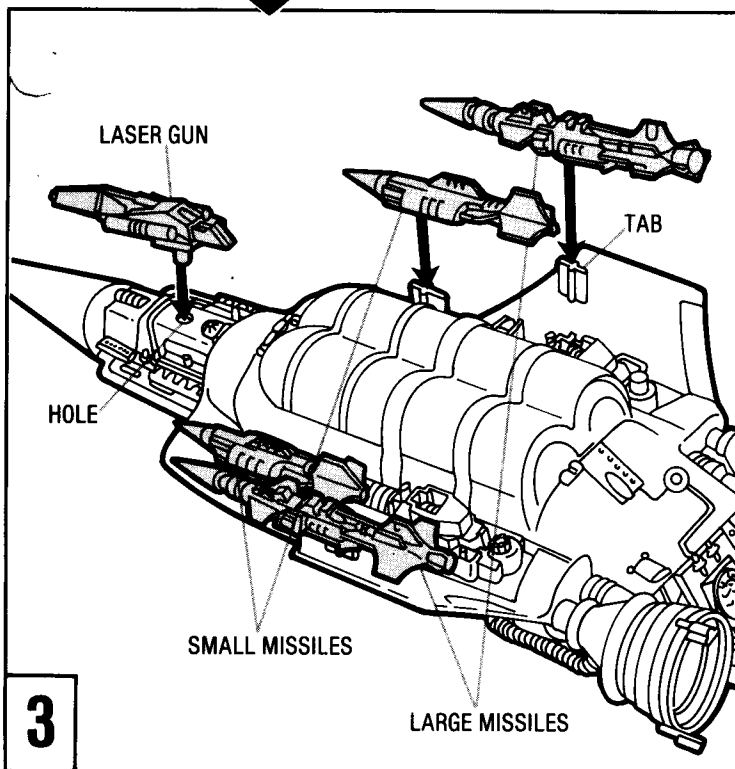
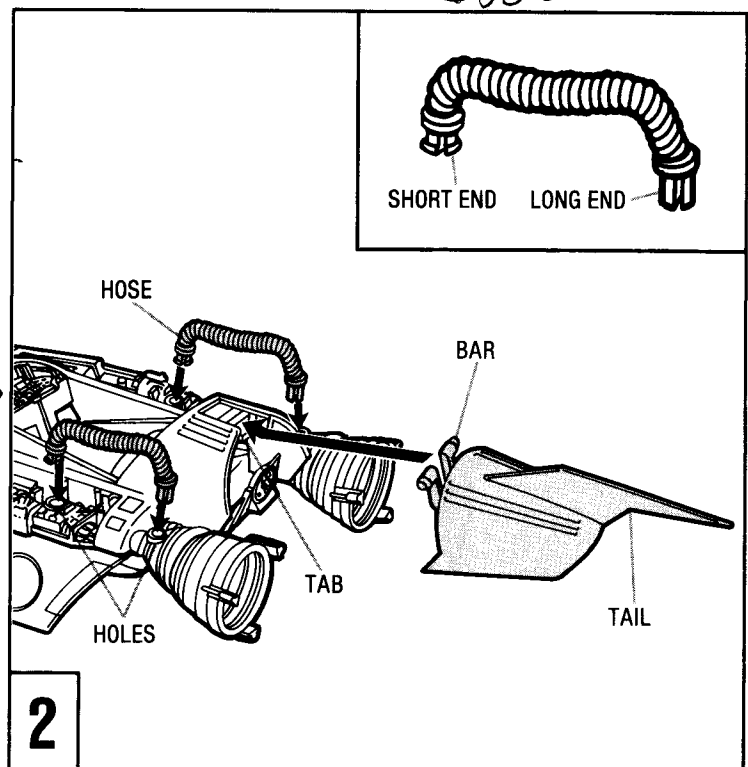
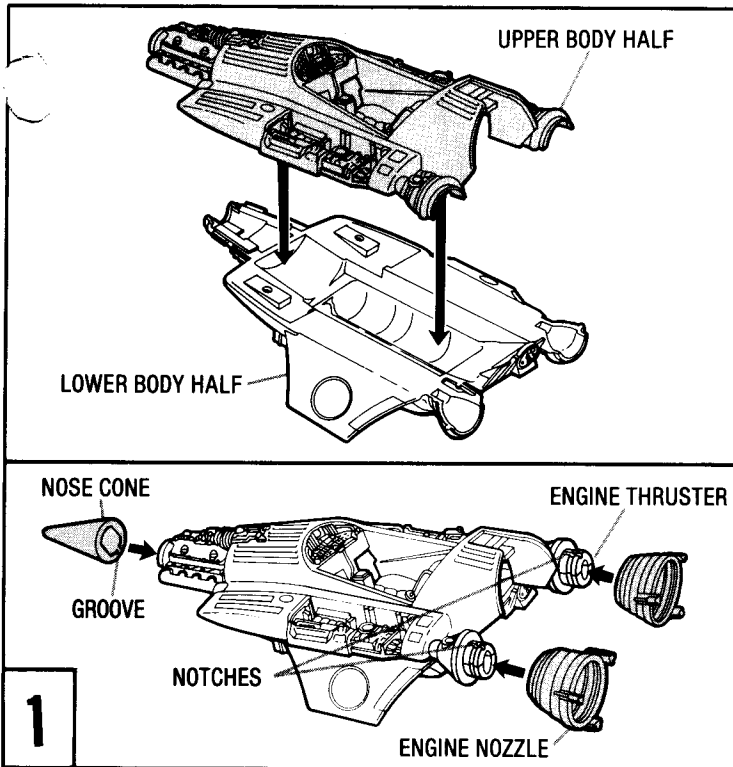


6252



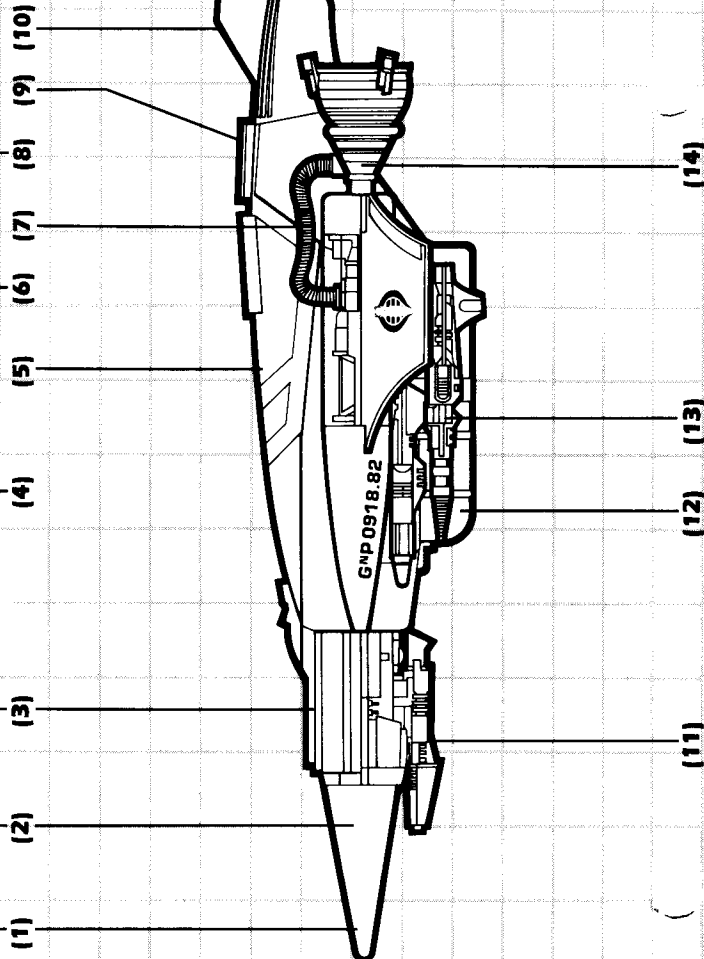
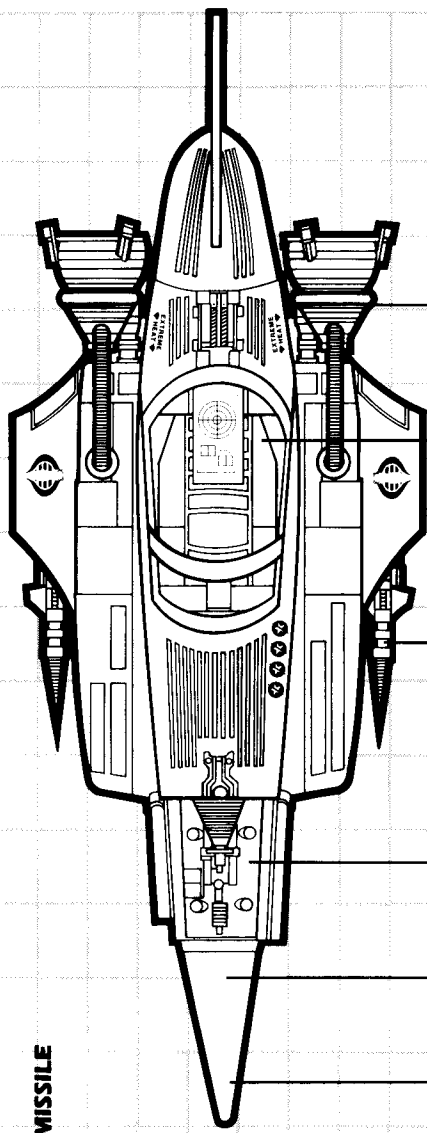
1. Snap upper body half to lower body half. Fit groove on nose cone over tab on front end of plane. Line up notches on engine nozzles with slots in engine thrusters, then fit together. (ILL. 1)
2. Fit short end of hose into hole in right engine area. Fit long end of hose into hole in right engine thruster area. Repeat process for left hose. Fit bar on tail onto tab located at rear of plane. (ILL. 2)
3. Turn plane upside down. Fit large missiles onto tabs on wings. Fit small missiles onto tabs on body. Snap laser gun into hole near nose cone. (ILL. 3)
4. Turn plane right side up. Hook canopy hinge bar into space in rear of cockpit, then swing canopy down and snap post on front of canopy into hole in forward section of cockpit. Place Cobra STAR-VIPER™ figure into cockpit. Fit space clamp over hinge area. (ILL. 4)

G.I. JOE

A COBRA™ COMMAND WEAPON!

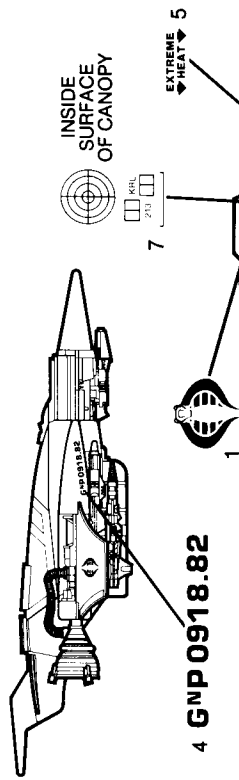
STELLAR STILETTO™

1. REINFORCED CARBON-CARBON (RCC) HEAT-RESISTANT NOSE CONE
2. TARGET ACQUISITION/TRACKING SATELLITE DATA-LINK
3. GUIDANCE/NAVIGATIONAL CONTROL SYSTEMS COMPUTER
4. "SLICE" (SUPERSONIC LASER-FIRING INTERCEPTOR) DUAL-PURPOSE MISSILE
5. SEVEN-LAYER ALUM-GLOSS HEAT-RESISTANT CANOPY
6. SINGLE CREW OPERATIONS/COMMAND SEAT
7. EXTERNAL "PLUMBING" THRUSTER INJECTION NETWORK
8. THRUST DIFFUSION NOZZLES
9. VERTICAL POSITIONING "KICK UP" STABILIZER HINGE MECHANISM
10. SWEEP-BACK VERTICAL STABILIZING RUDDER
11. "STILETTO" PIN-POINT ENGINE-DIVERGED LASER
12. EXTERNAL LIQUID-COOLED HEAT-RESISTANT FUEL TANKS
13. "STRIKE" DK-87 LONG RANGE DATA-LINK MISSILE
14. LIQUID-FUEL DUAL "STELLAR" MAIN PROPULSION ENGINES

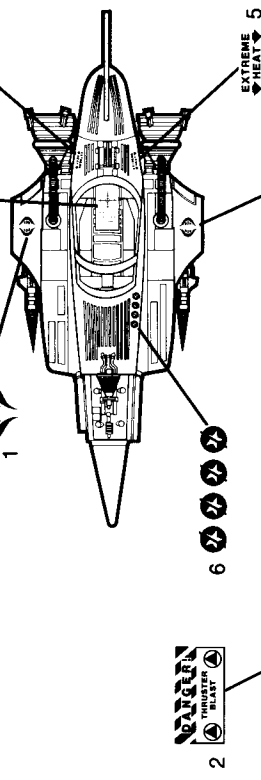


Peel and apply labels as shown.

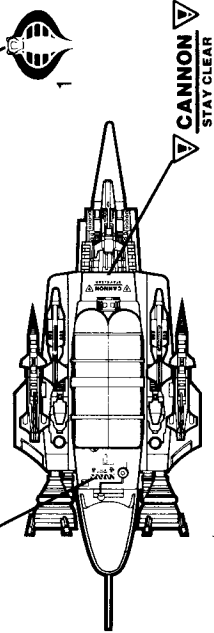
1 GNP 0918.82



4 GNP 0918.82



2



3
CANNON
STAY CLEAR