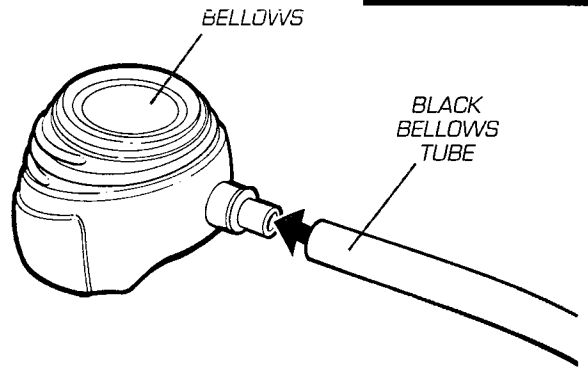
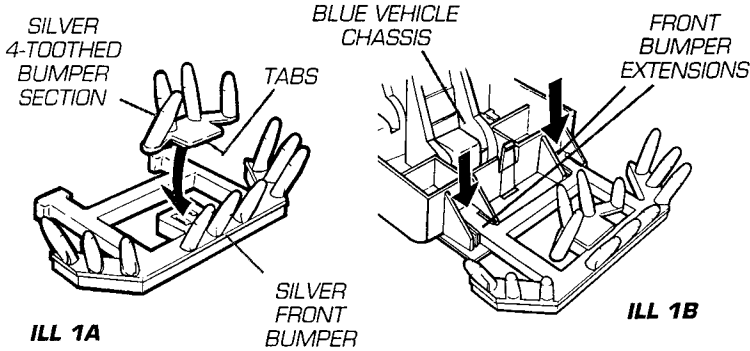


CONTAINS: Detonator vehicle, air-powered launcher, 3 foam rockets, 6 wheels, figure, accessories and a label sheet. **CAUTION:** Do not point weapon at eyes or face.

WARNING
Contains small parts which may present a choking hazard to children under three.

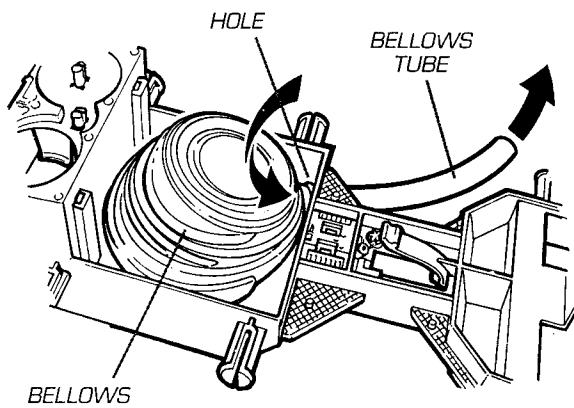


1. FRONT BUMPER ASSEMBLY

With silver 4-toothed bumper section facing as shown, snap tabs into holes in silver front bumper (ILL. 1A). Fit front bumper extensions into slots in blue vehicle chassis as shown (ILL. 1B).

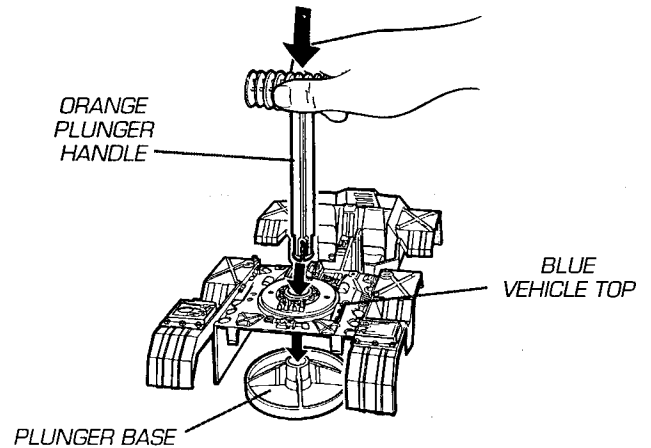
2. BELLOWS ASSEMBLY

Fully insert black bellows tube over end of bellows.



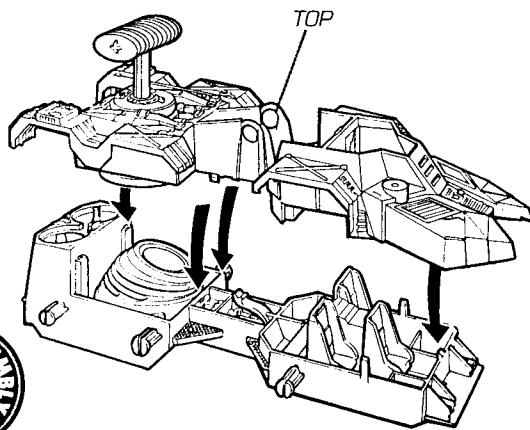
3. BELLOWS ASSEMBLY CONTINUED

Insert bellows tube down through hole in blue vehicle chassis, then fit bellows securely into chassis as shown.



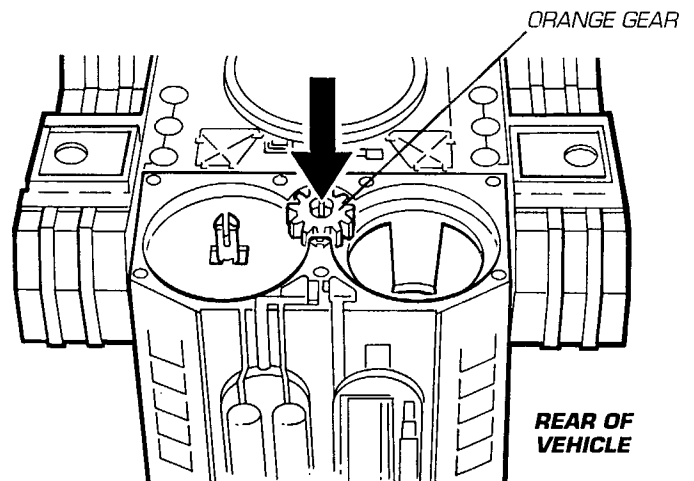
4. HANDLE ASSEMBLY

Insert orange plunger handle through hole in blue vehicle top, then snap end of handle into hole in plunger base.



5. BODY ASSEMBLY

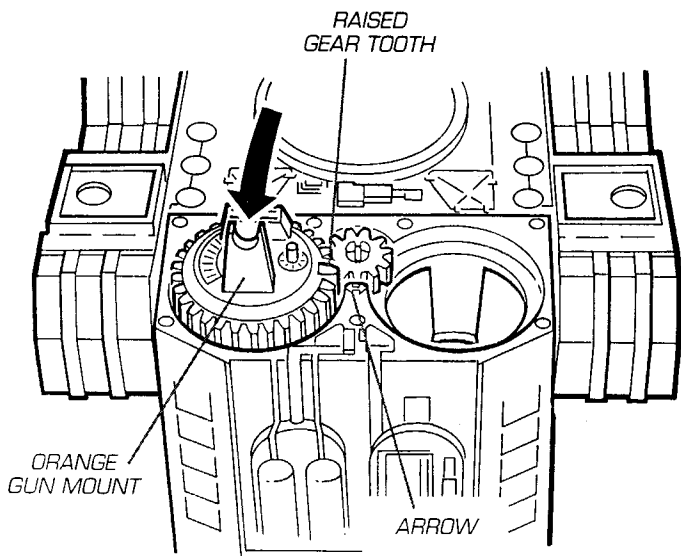
Fit top of vehicle body onto vehicle chassis and snap front, middle and rear tabs into slots as shown.



6. GUN MOUNT ASSEMBLY

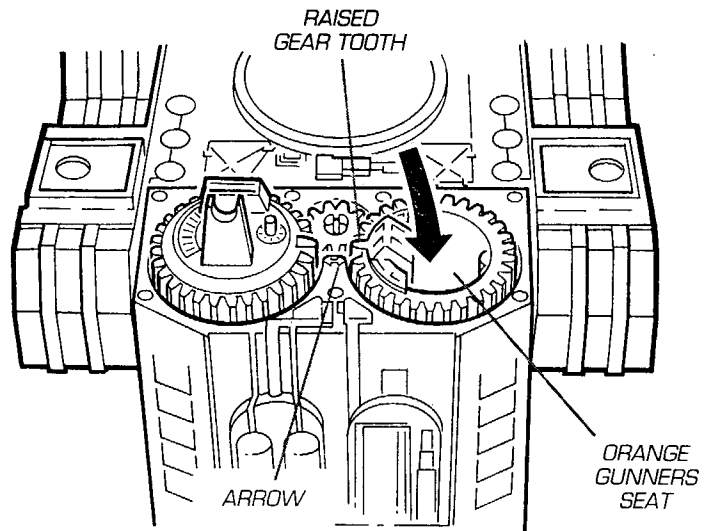
Snap orange gear onto post at rear of vehicle as shown.





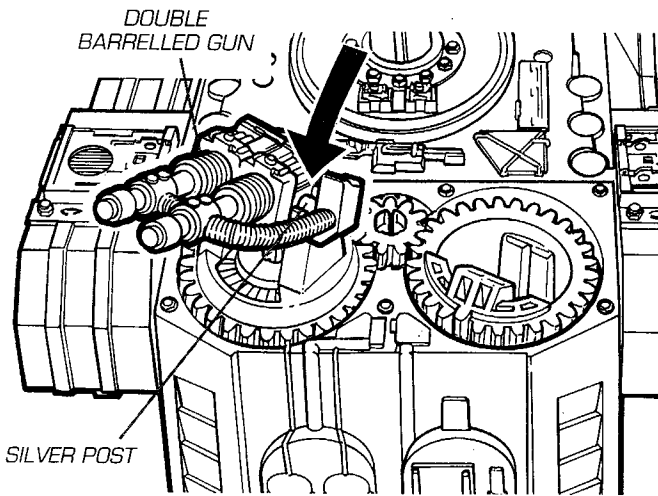
7. GUN MOUNT ASSEMBLY CONTINUED

Align the raised gear tooth on orange gun mount with arrow on left side of vehicle as shown. Snap gun mount onto vehicle post.



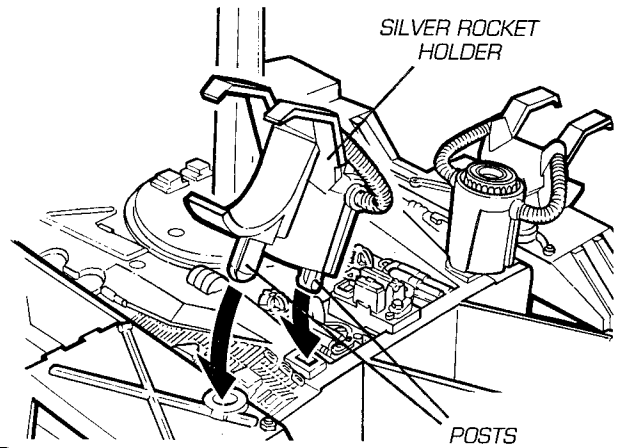
8. GUNNER'S SEAT ASSEMBLY

With raised gear tooth on gun mount pointing to arrow on left side of vehicle, align the raised gear tooth on orange gunner's seat with arrow on right side of vehicle. Snap gunner's seat down into vehicle. **NOTE:** Both of the raised gear teeth should face each other and be aligned with arrows. If not, remove gunner's seat and repeat STEP 8.



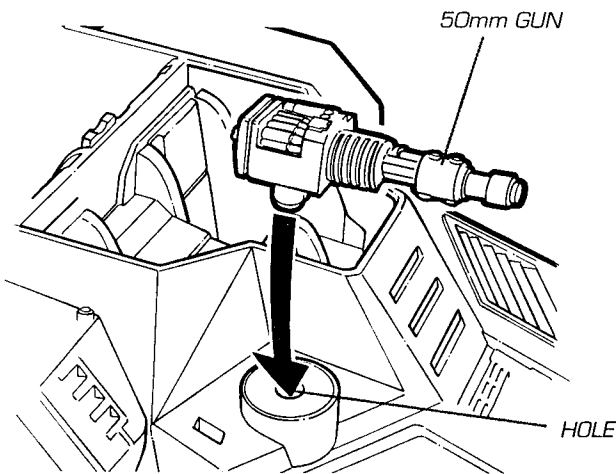
9. BACK GUN

Snap silver post on the double barreled gun into slot in gun mount.



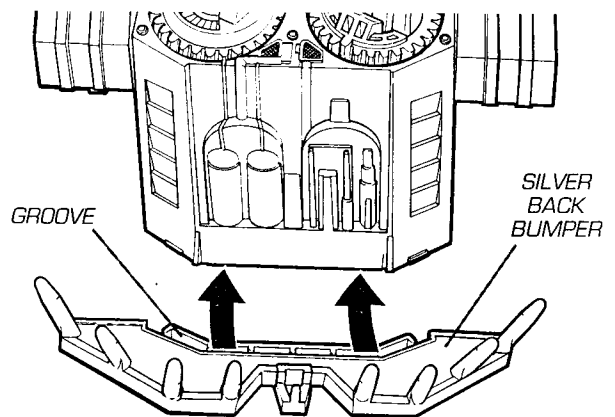
10. ROCKET HOLDERS

Snap posts on silver rocket holder into holes in side of vehicle top. Repeat with other rocket holder on opposite side.



11. FRONT GUN

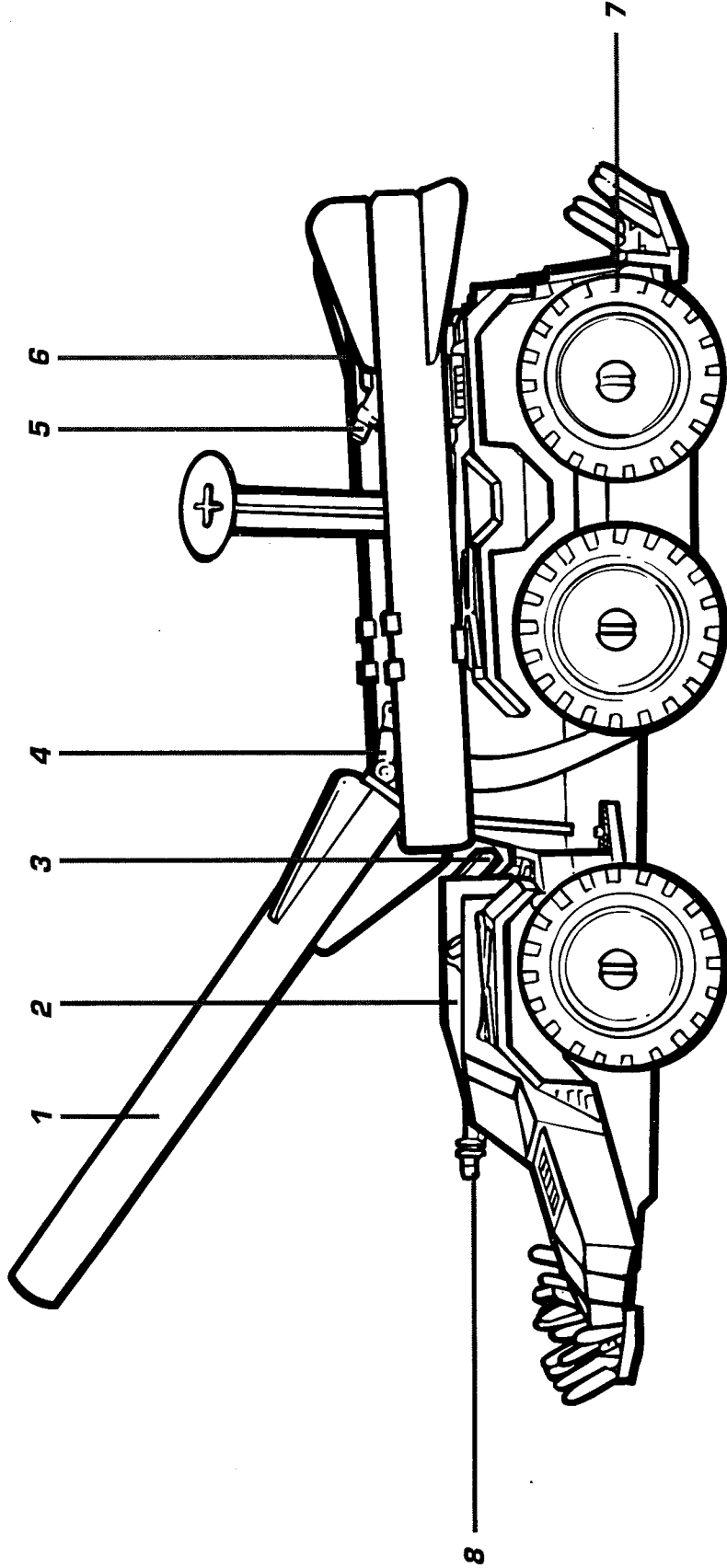
Snap silver post on front 50mm gun into hole in vehicle top as shown.



12. BACK BUMPER ASSEMBLY

Fit groove in silver back bumper up into back of vehicle chassis and snap into place.

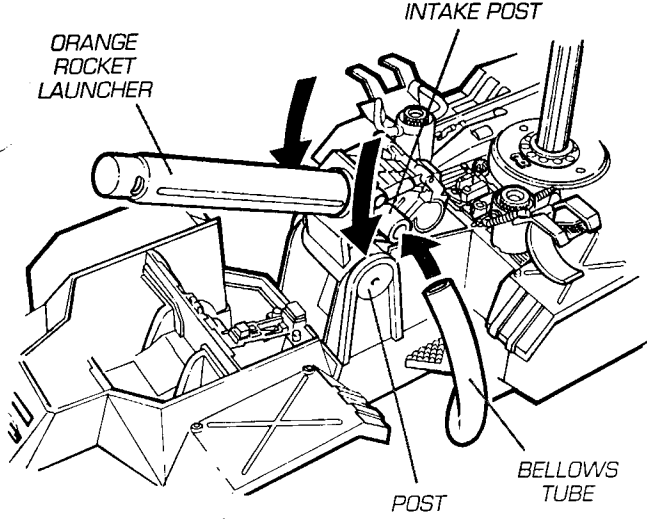
GIJOE[®]
A COBRA™ COMMAND WEAPON



COBRA DETONATOR™ **OFFICIAL COBRA VEHICLE SPECIFICATIONS**

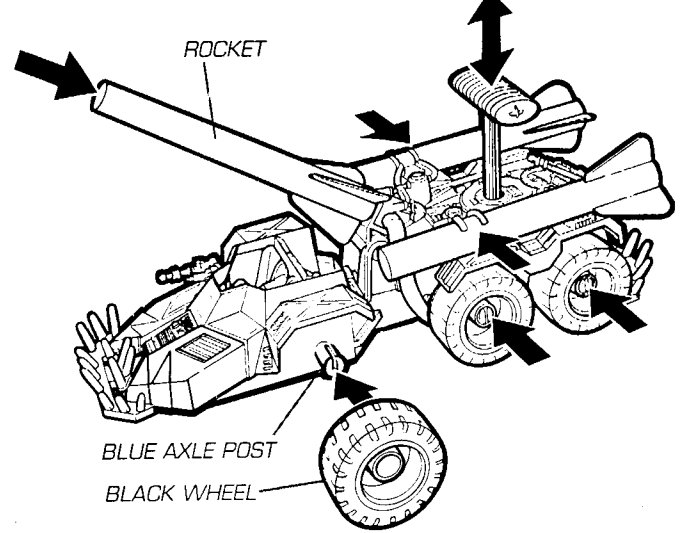
1. **THREE LONG RANGE, IMPACT EXPLODING ICBM ROCKETS**
2. **FRONT COMMAND COCKPIT HOLDS 3 COBRA FIGURES**
3. **MIDDLE BATTLE PLATFORM SEATS 2 COBRA FIGURES**
4. **AIR POWERED, ROCKET-BLASTER LAUNCHING GANTRY**
5. **DOUBLE BARRELED AAK (anti aircraft) GUN**
6. **ROTATING GUNNER'S TARGETING SEAT WITH AAK GUN**
7. **SIX ALL-TERRAIN, PUNCTURE-PROOF MONSTER TIRES**
8. **SIDE MOUNTED, DOUBLE BARRELED 50MM DRAGON-FIRE GUN**

Product and colors may vary.
Approximate size of vehicle is 19" L x 7" W x 5 1/2" H.
©1993 Hasbro, Inc., Pawtucket, RI 02862 U.S.A. All Rights Reserved.
MADE IN USA. FIGURE MADE IN CHINA.
6162 P/N 43873400



13. ROCKET LAUNCHER ASSEMBLY

Slide orange rocket launcher posts into holes as shown. Fully insert bellows tube over side launcher intake post.



14. FIRING ROCKETS / WHEEL ASSEMBLY

Slide rocket onto launcher shaft and adjust shaft to desired launching position. Push down on plunger handle to fire rocket. To reset, pull up on handle and replace rocket onto shaft. Snap black wheels (6) onto blue axle posts. Rockets store on rocket holders as shown. **CAUTION: Do not aim rockets at eyes or face.**

Peel and apply labels as shown.

