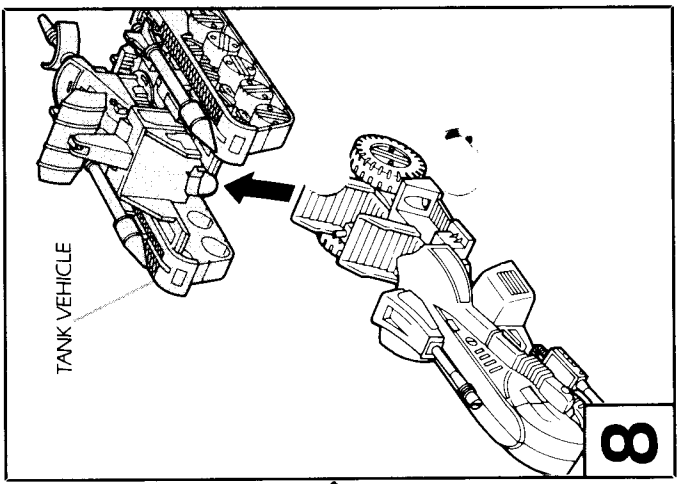
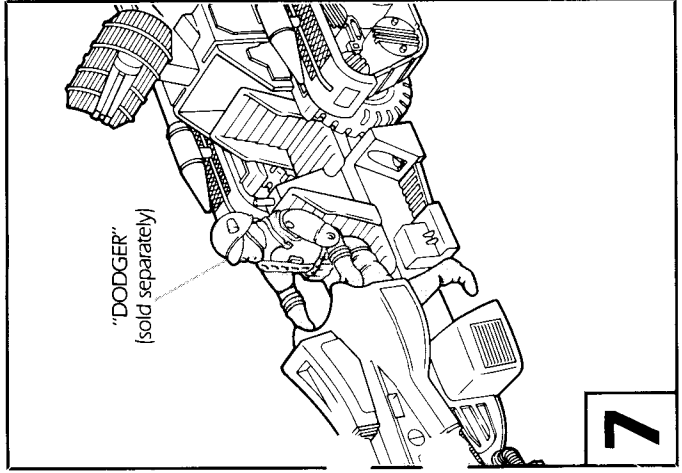
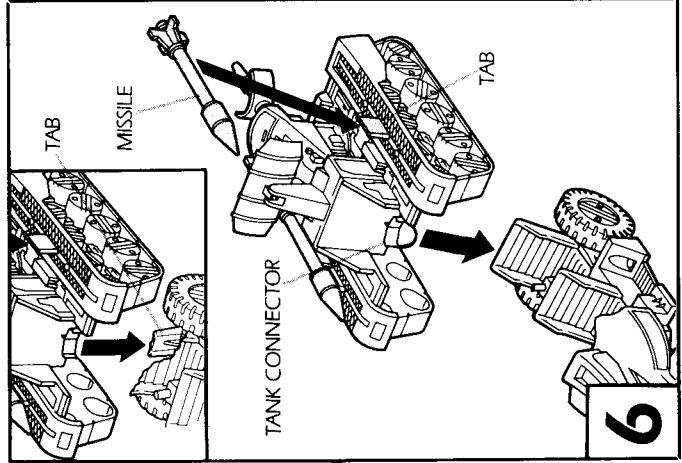
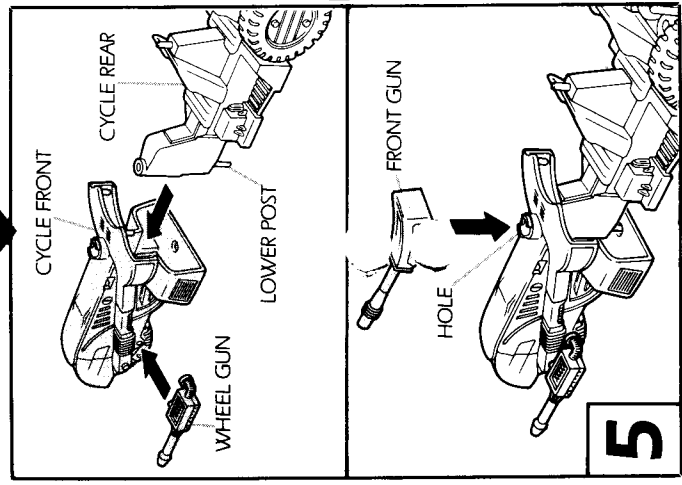
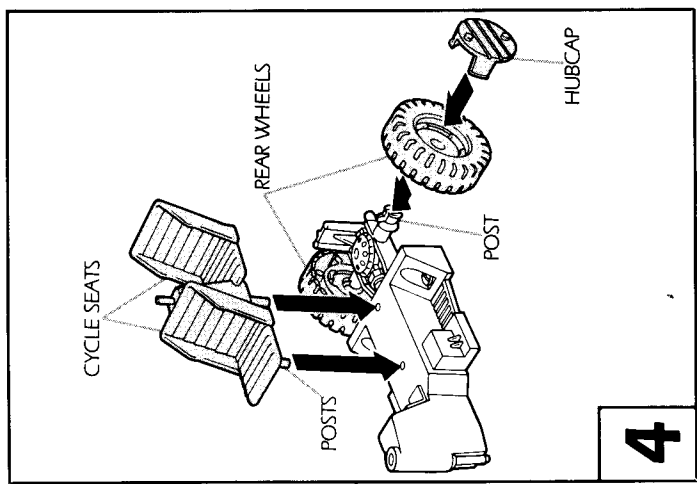
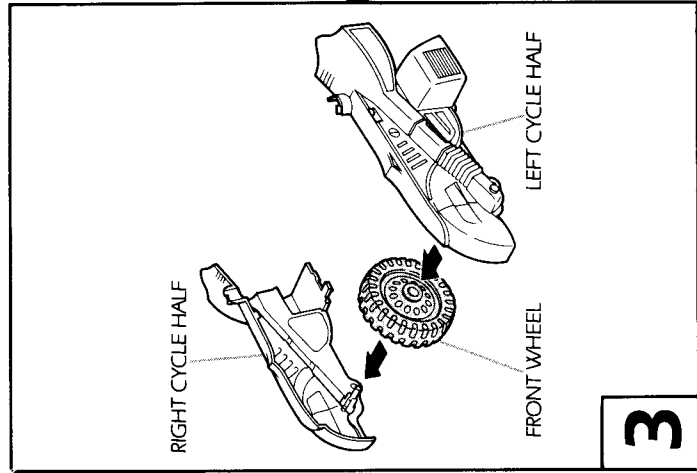
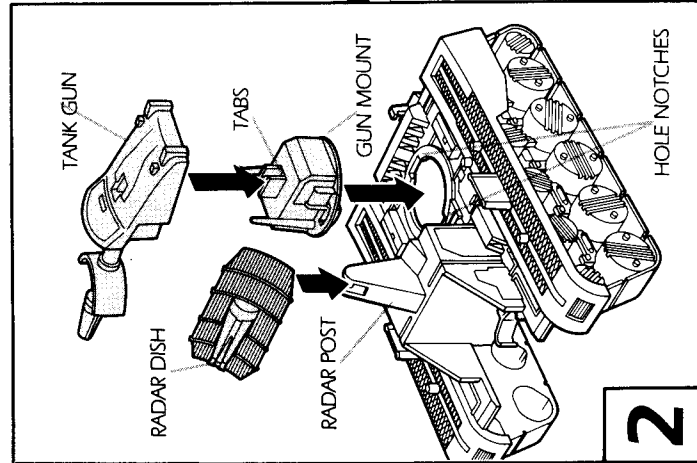
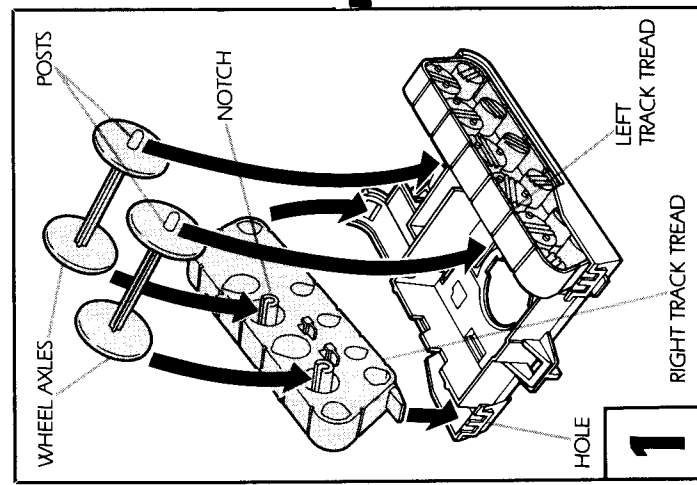


Remove all pieces from plastic frames. If you have difficulty use safety scissors.



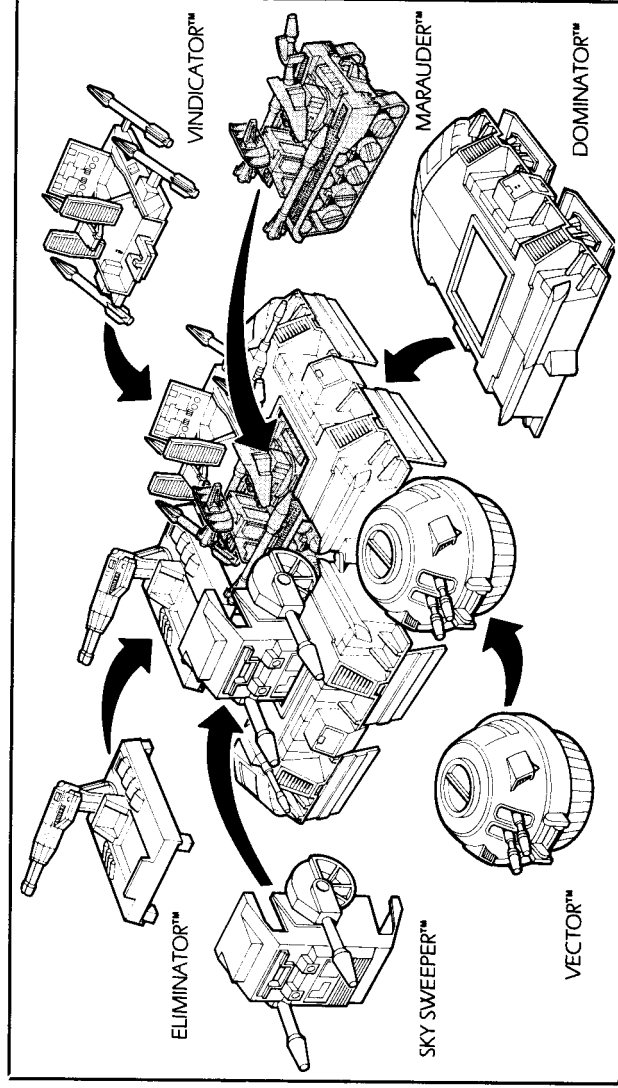
1. Turn tank body upside down. Locate left and right track treads. Snap rear of right track tread into holes in front and rear of body. Repeat for left track tread. Snap posts on wheel axles into notches. (ILL. 1)
2. Turn body right side up. Snap tank gun onto mount. Fit tabs on gun mount through hole notches in body top, then twist. Snap radar dish onto radar post. (ILL. 2)
3. Place front wheel onto post on right cycle half. Snap right and left cycle halves together. (ILL. 3)
4. Snap hubcaps onto rear wheels. Locate cycle rear, then snap wheels onto posts on cycle rear. Fit posts on cycle seats into hole in cycle rear. (ILL. 4)
5. Insert lower post on cycle rear into cycle front. (ILL. 5A) Press wheel guns into holes in cycle front end. Snap front gun into hole in cycle front. (ILL. 5B)
6. Slide tank connector over tab on rear of cycle. (INSET) Press missiles onto tabs on tank sides. (ILL. 6)
7. Fit Battle Force 2000 figure into front seat. (Marauder driver, DODGER™, sold separately.) (ILL. 7)
8. When Marauder's tank is detached from the motorcycle, it can be deployed as a separate attack vehicle, or as one of the integral battle units in the G.I. Joe's ever-impressive Battle Force 2000 Future Fortress! (ILL. 9)

FUTURE FORTRESS INSTRUCTIONS:

Collect all 6 Battle Force 2000 vehicles to form the ultimate stronghold ... Future Fortress™!

The six prototype attack vehicles combine to form the most indestructible stronghold in the world ... the Battle Force 2000 Future Fortress™! Dominator's side walls open, creating the fortress' battle emplacements. With the emplacements secured, Vector's battle turret jettisons from the fighter and lands in between the wall to form the corner! To safeguard the left emplacement with flank firepower, Sky Sweeper's Sentry Post stands guard behind the emplacement with its powerful cannons poised for action! While providing tactical air cover during the fortress' "link-up" operations, Vindicator's rocket sled is ejected from the craft and deployed on the fortress' northeast flank! Marauder's tank churns through the mud to secure itself behind Dominator's right battle emplacement, ready to open fire on the Cobra invaders! Just as Marauder's tank assumes its battle station, Eliminator's highly lethal battle platform moves in behind the tank to complete the fortress' formation! With Battle Force 2000's futuristic combat capabilities, G.I. Joe can destroy Cobra™ once and for all!

6643 PN 187109.00A ©1987 Hasbro, Inc., Pawtucket, RI 02862 U.S.A. All Rights Reserved.



MARAUDER

- 1) DIRECT-FIRE KINETIC-ENERGY GUN PLATFORM
- 2) MULTIPLE-SENSOR ELECTRONIC PURGE RADAR
- 3) "BIG BORE" FULLY-INTEGRATED 25MM ANTI-ARMOR CANNON
- 4) "THE SHIELD" BLAST-PROOF BALLISTICS ARMOR
- 5) "TANKMASHER" OG-17 OPTICAL-AIMED INFRA-RED HOMING MISSILE
- 6) NON-CLOGGING FULL AMPHIBIOUS TRACK DRIVE UNIT
- 7) HIGH-TRACTION ARAMID FIBER REINFORCED REAR TIRES
- 8) FIRE CONTROL/DATA-BASE INPUT PERSONNEL SEAT
- 9) PRIMARY OPERATIONS/CRITICAL RESPONSE SEAT
- 10) "CAVALRY" 360 BHP VTA-870 DIRECT IGNITION ENGINE/TRANSAXLE
- 11) "BUSHMASTER" AUTO-LOAD 25MM CO-AXIAL CANNONS
- 12) OFF-ROAD HEAVY-DUTY REINFORCED DRIVE UNIT/FRONT TIRE

