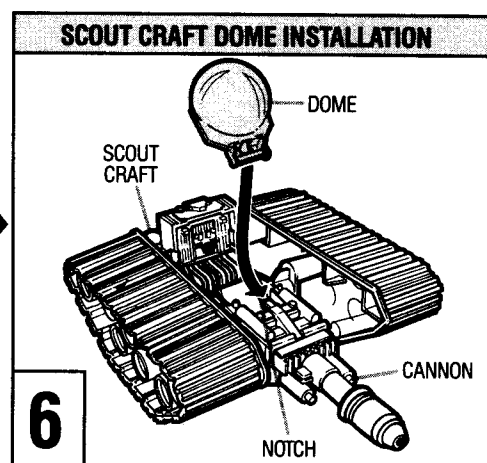
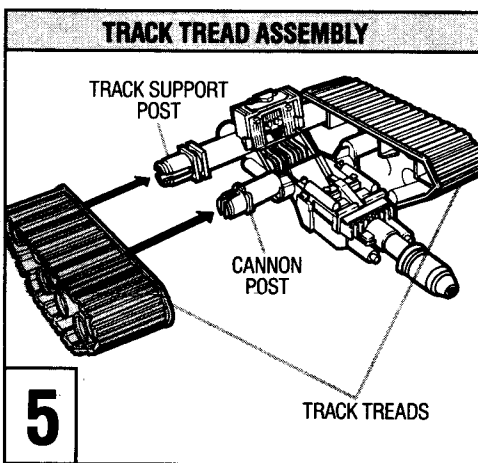
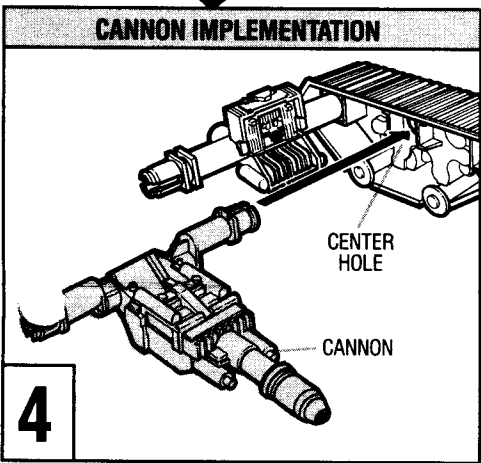
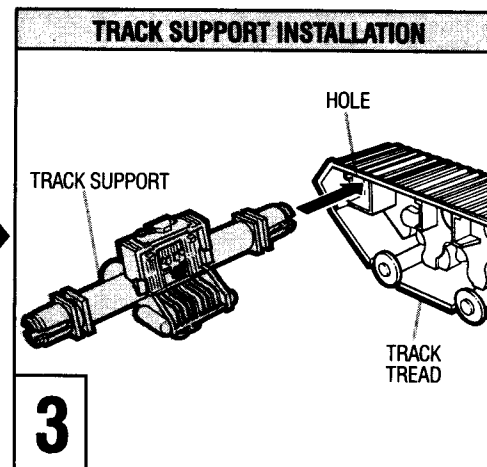
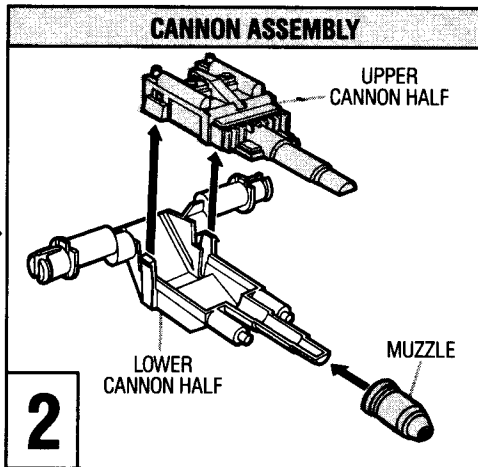
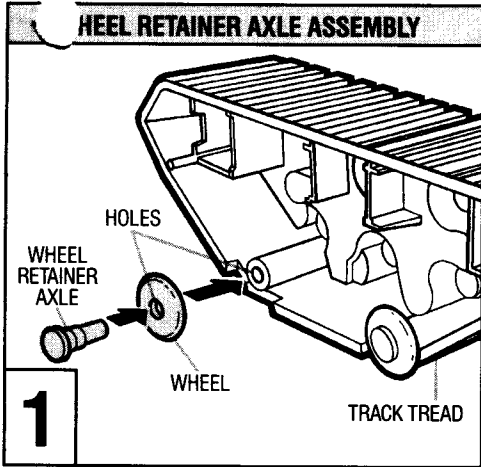
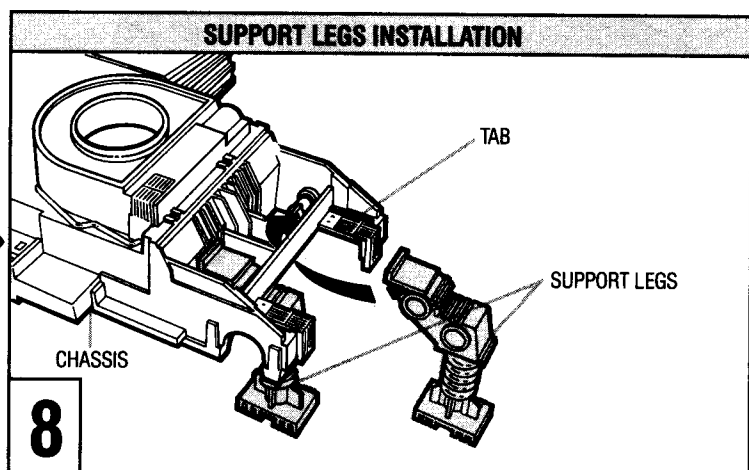
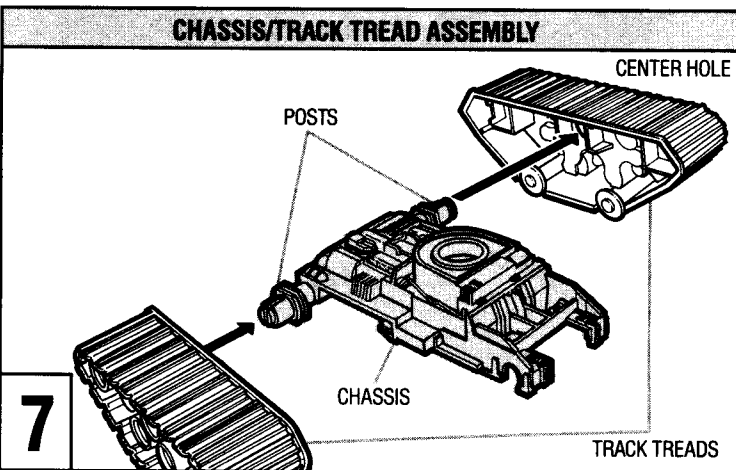


SCOUT CRAFT/FRONT CHASSIS

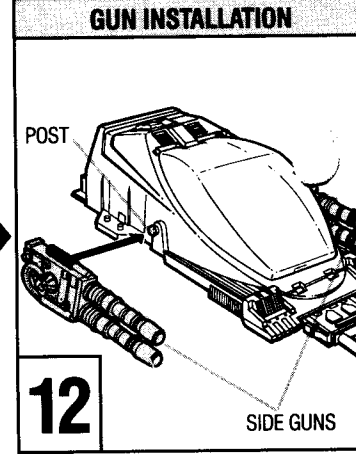
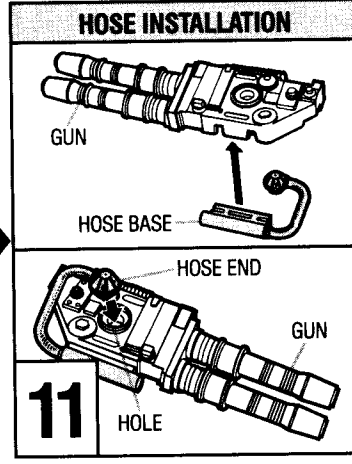
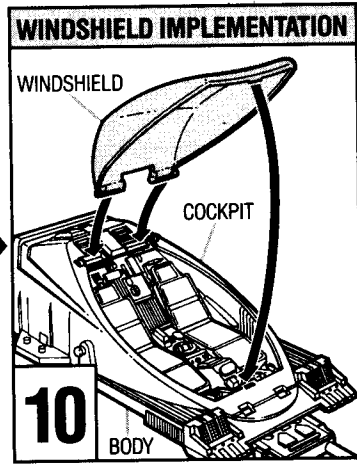
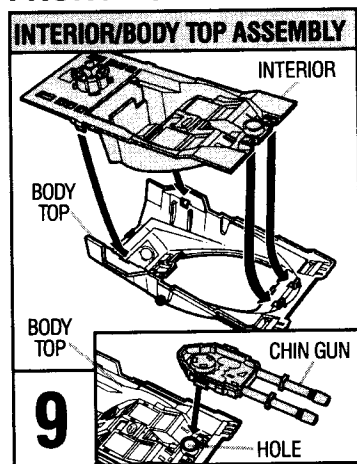


REAR END CHASSIS

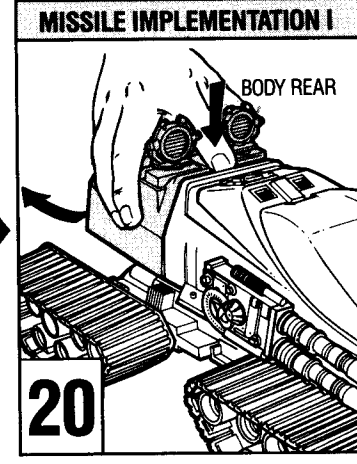
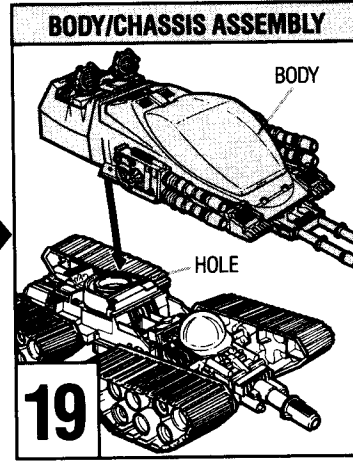
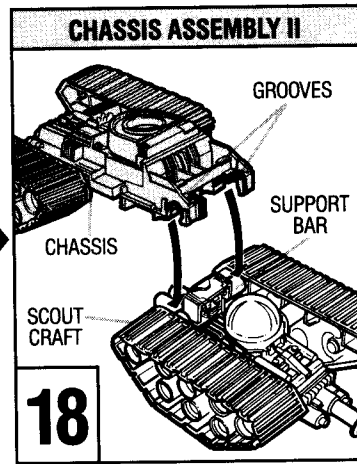
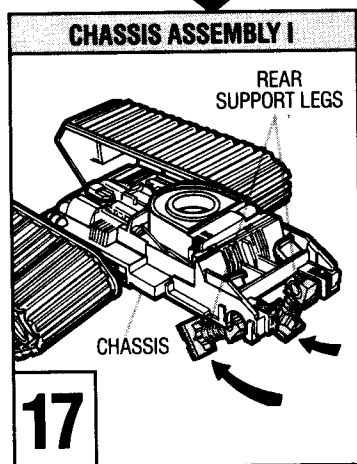
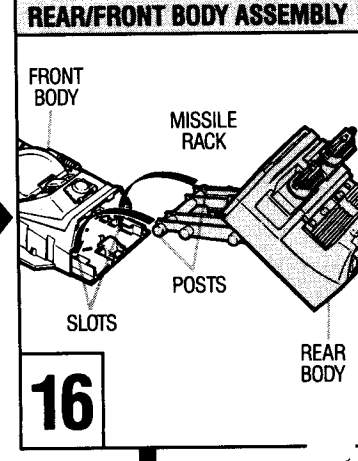
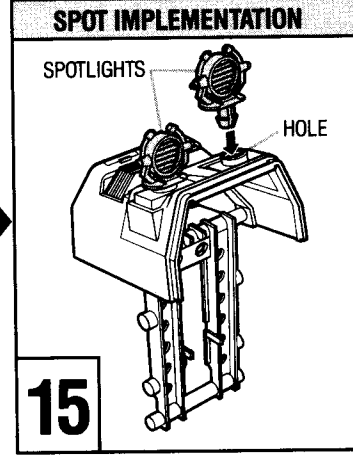
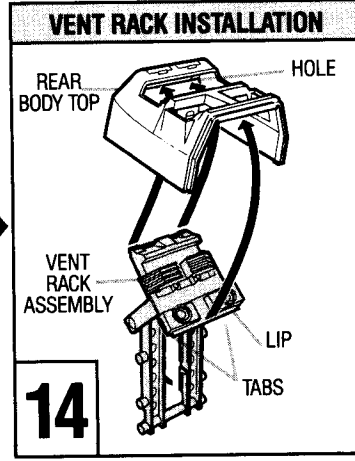
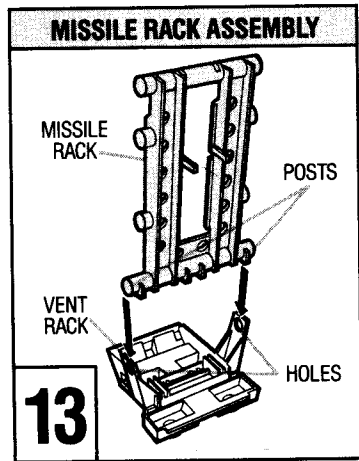


- 1 Fit wheel retainer axle into holes in wheels, then snap retainer axle into track treads as shown. (ILL. 1)
- 2 Snap upper cannon half onto lower cannon half. Snap cannon muzzle over cannon front end. (ILL. 2)
- 3 Snap track support into hole in rear end of track tread as shown. (ILL. 3)
- 4 Snap cannon into center hole in same track tread. (ILL. 4)
- 5 Snap other track tread over cannon post and track support post. (ILL. 5)
- 6 Snap scout craft dome into notch on cannon as shown. (ILL. 6)
- 7 Snap posts on chassis sides into center holes in remaining two track treads. (ILL. 7)
- 8 Snap support legs over posts on front end portion of chassis. (ILL. 8)

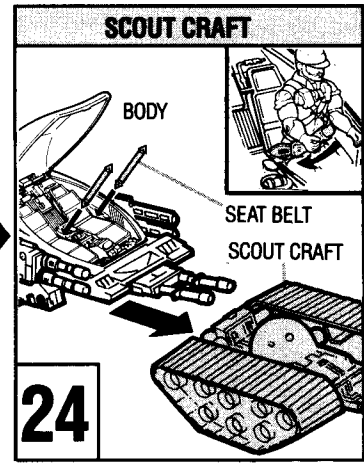
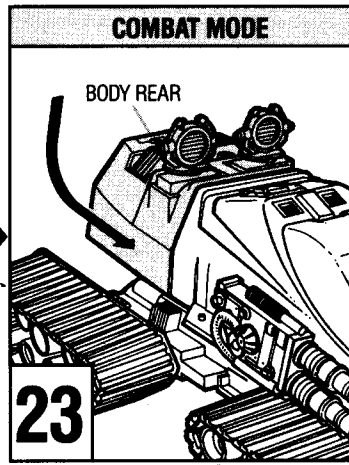
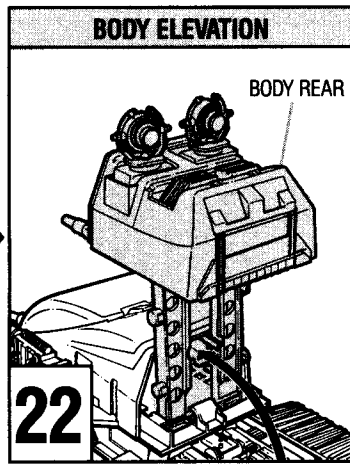
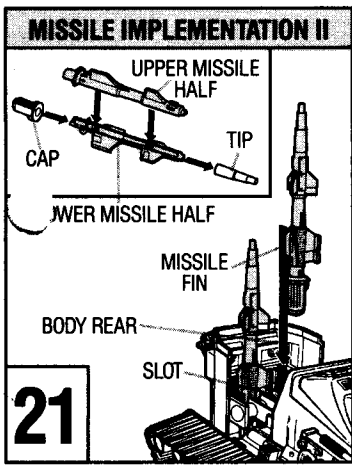
FRONT BODY



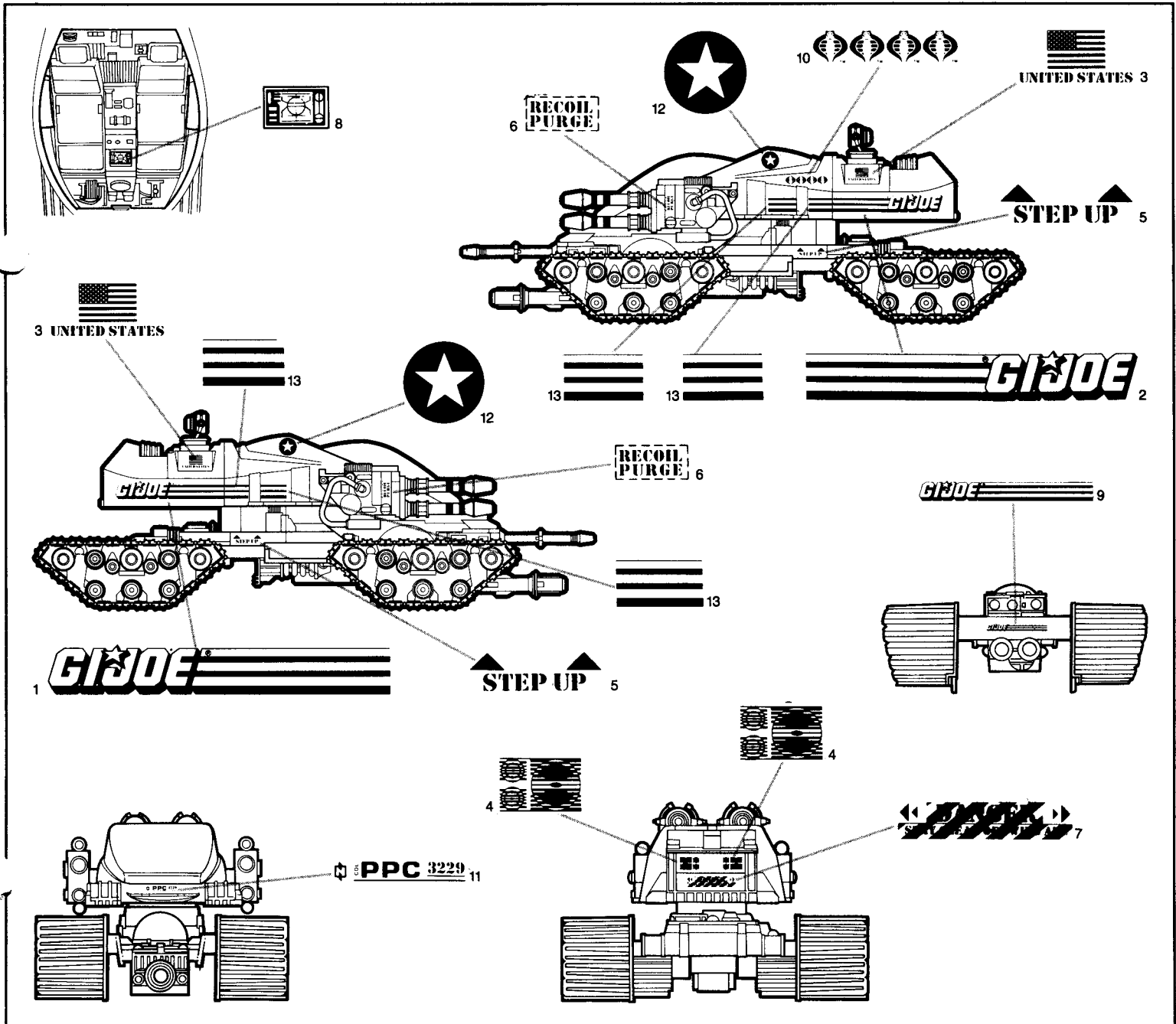
REAR BODY



- 9 Turn body top upside down. Snap front end of interior into body first, then snap rear end into body top as shown. Snap chin gun into hole in body top front end. (INSET) (ILL. 9)
- 10 Turn body top right side up. Snap windshield onto cockpit opening as shown. (ILL. 10)
- 11 Slide hose into slots over tabs on right gun bottom marked "R", then fit upper hose end into hole in gun side. (ILL. 11)
- 12 Snap right body side gun, marked "R", over post on right body side. Repeat for left body side gun. (ILL. 12)
- 13 With hooks facing outward, turn vent rack upside down. Snap missile rack posts into holes in vent rack as shown. (ILL. 13)
- 14 Turn vent rack right side up. Fit rear vent rack through hole in rear body top, hooking vent rack lip onto edge of rear body top as shown. Swing up vent rack and press side tabs firmly into place. (ILL. 14)
- 15 Snap spotlights into holes in vent rack. (ILL. 15)
- 16 At approximately a 45° angle, place posts on bottom of missile rack rails into first set of slots in body front interior as shown. Next, swing down rear body half as shown and slide missile rack rails forward into body front and snap into place. (ILL. 16)
- 17 Fold up rear support legs on rear end chassis. (ILL. 17)
- 18 Snap grooves in rear end of chassis onto scout craft support bar as shown. (ILL. 18)
- 19 Snap body into hole in chassis. (ILL. 19)
- 20 To pull out body rear, press downward between spotlights and slide out. (ILL. 20)



- 21** Snap missile halves together. While aligning rib on missile half with slot in cap, snap missile cap over rear end of missile. Snap missile tip over missile front end. Repeat for other missile. (INSET) Fit missile fin through slot in body rear and snap into place. Repeat for other missile. (ILL. 21)
- 22** To elevate body rear, swing up and snap into upper half of body front end as shown. (ILL. 22)
- 23** To place in combat mode, swing down body rear, slide into body front end and snap together. (ILL. 23)
- 24** To remove scout craft from body, detach body from track support on scout craft as shown, then swing down support legs on body to place into battle station mode. (INSET) Place figure in seat. Insert one end of seat belt into hole in seat side, then swing other end of seat belt over figure and insert into hole as shown. (ILL. 24)



G.I. JOE® RAIDER™

- 1) TITANIUM REINFORCED SUPPORT LEGS TO MAINTAIN PERFECT BATTLE BALANCE FOR UPPER ATTACK MODULE
- 2) TWO LIGHT BEAM MAGNIFIERS WITH ATMOSPHERIC CODING TRANSMISSION CAPABILITY
- 3) DUAL-IMPACT, PHOTON CANNON WITH LASER GUIDANCE SYSTEM
- 4) 44mm, FULL-THRUST, TARGET ANNIHILATOR LASER BLASTERS
- 5) TWO TACTICAL, INFRARED, COMPUTER-CONTROLLED TRACK TREADS
- 6) HIGH MOBILITY, DURA-STEEL ENHANCED, ALL-TERRAIN SYNCHRONIZED LAUNCH CONTROL POWER REHABILITATOR
- 8) SHATTER RESISTANT, NO-FOG, COMBAT WINDSHIELD
- 9) ELEVATION MECHANISM WITH BLAST-PROOF STABILIZERS
- 10) SIDE ARMAMENTS STORAGE BAY WITH AUTOMATIC CANNON RELOAD FUNCTION
- 11) ULTRA-SOPHISTICATED, ENEMY IDENTIFICATION RADAR DEVICE

