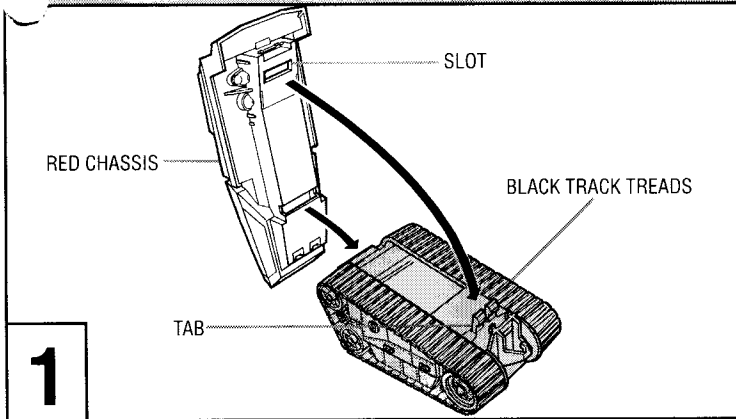
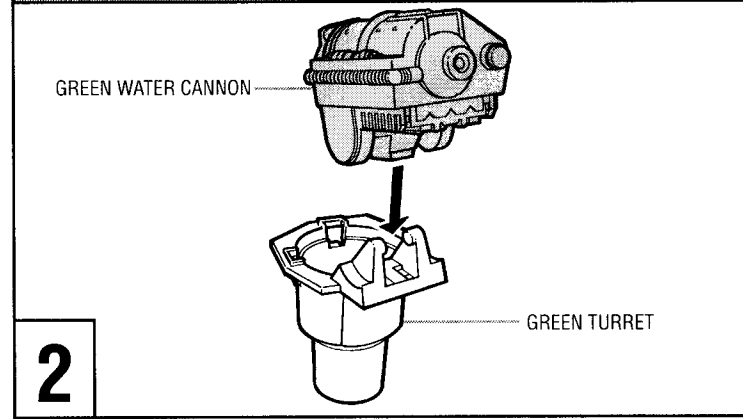


CONTAINS: Track treads, chassis, water-shooting cannon, turret, hose, canopy and label sheet.

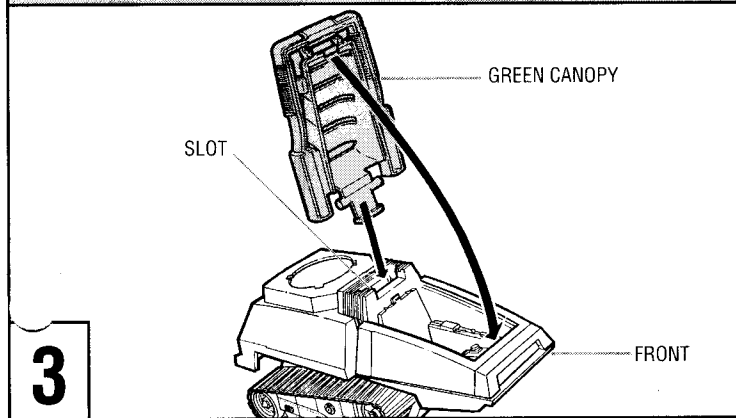
TRACK TREAD INSTALLATION



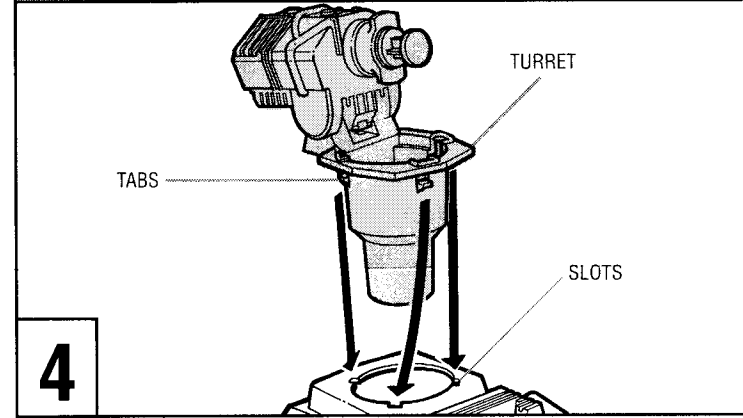
WATER CANNON INSERTION



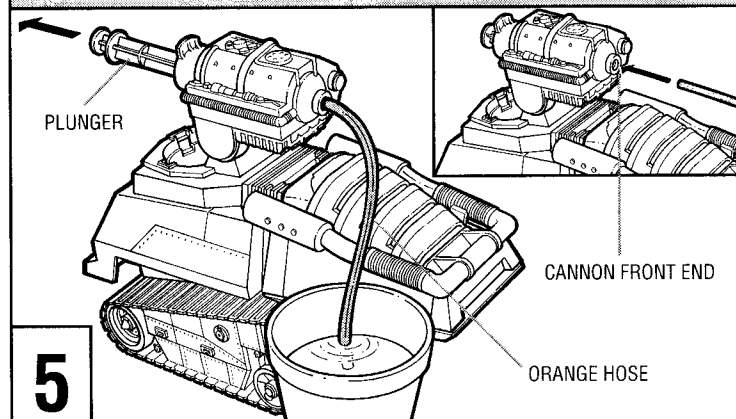
CANOPY INSTALLATION



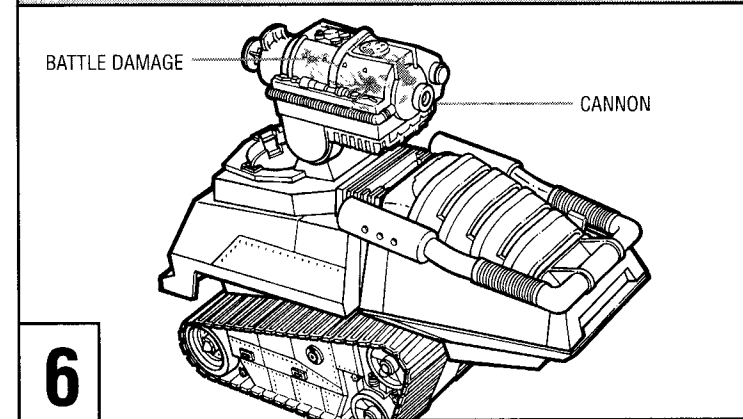
TURRET AND CHASSIS ASSEMBLY



TO LOAD AND FIRE CANNON



COLOR-CHANGE INITIATION



- 1 Fit tab in front of black tracks into slot in front of red chassis. Snap chassis down onto tracks. (ILL. 1)
- 2 Snap green water-shooting cannon onto green turret as shown. (ILL. 2)
- 3 Fit tabs on green canopy into slot above seat and press until it snaps together, then swing down canopy front and snap into place. (ILL. 3)
- 4 Place turret into chassis and fit three tabs on turret into three slots in chassis and turn to face forward. (ILL. 4)
- 5 Load water-shooting cannon, fit one end of orange hose into hole in cannon front end. Place other end of hose in container of water, then pull back plunger. Before firing, remove hose from cannon, then push plunger inward to fire water. (ILL. 5)
- 6 To reveal "battle damage" on cannon, squirt with ice water. To restore cannon to its original color, apply warm water. **NOTE: Do not leave water cannon in sunlight, or in any other intense light, for any extended period of time.** (ILL. 6)

COBRA™ SEPTIC TANK™ OFFICIAL G.I. JOE VEHICLE SPECIFICATIONS

- 1) REINFORCED STEEL BUMPER GUARD WITH SYNTHETIC PLASTIC COVERING
- 2) GRILLE DESIGN AIR VENTILATION CANOPY
- 3) SHELL-PROOF, CONTROL STATION COMMAND CENTER
- 4) HYDRO-POWERED SLUDGE LIQUIFIER COMPRESSOR
- 5) ENERGIZED FIRING GENERATOR
- 6) DURA-TREAD TRACK SYSTEM FOR ROUGH TERRAIN
- 7) PERSONNEL TRANSPORTATION PLATFORM

