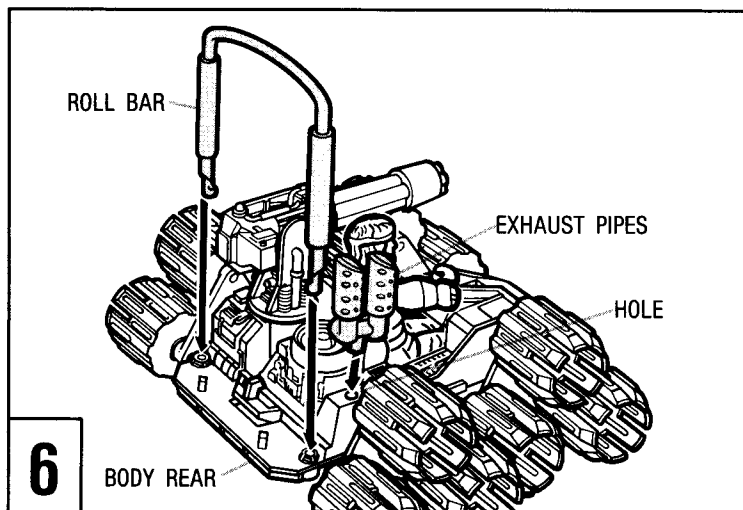
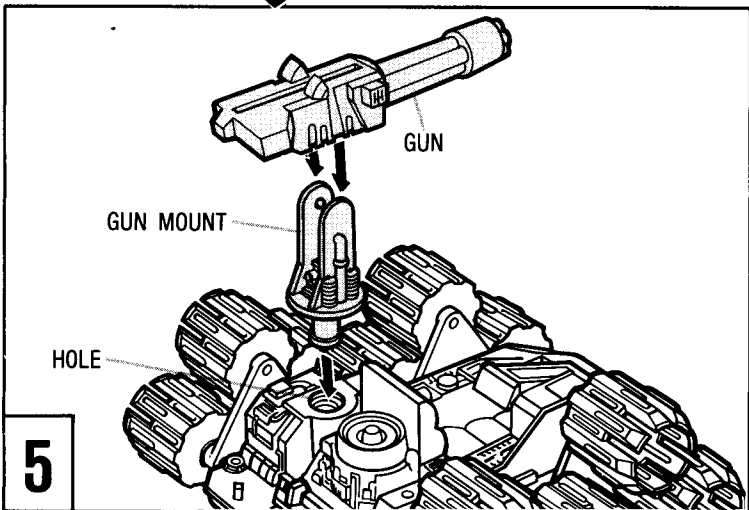
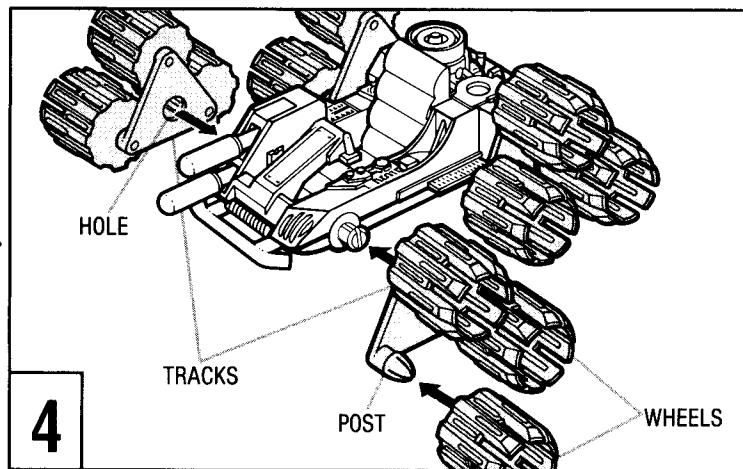
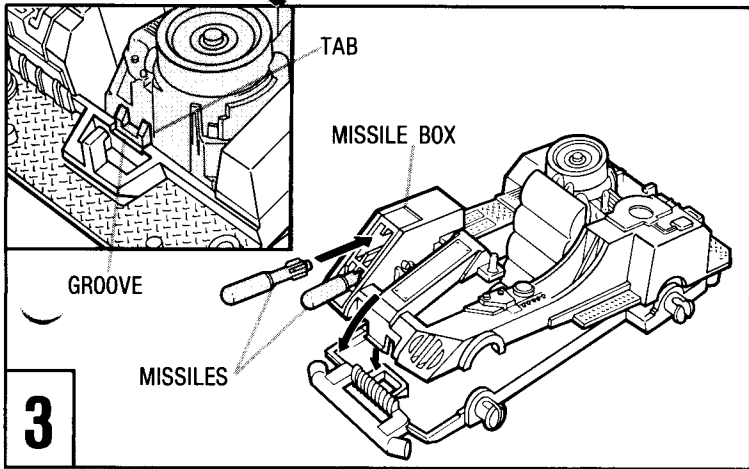
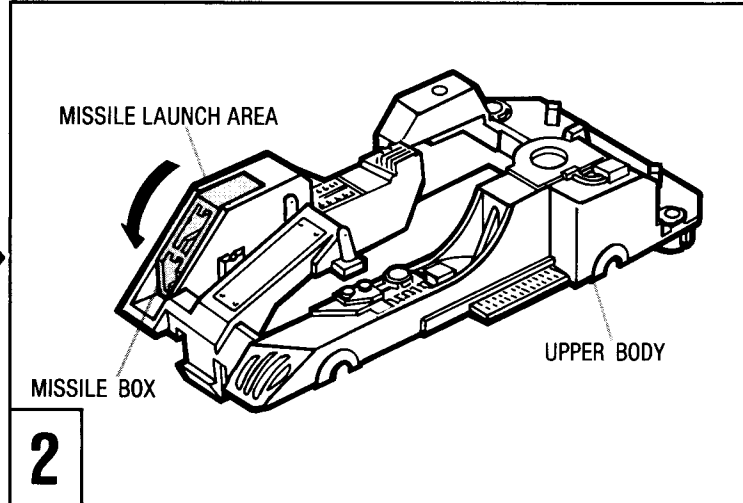
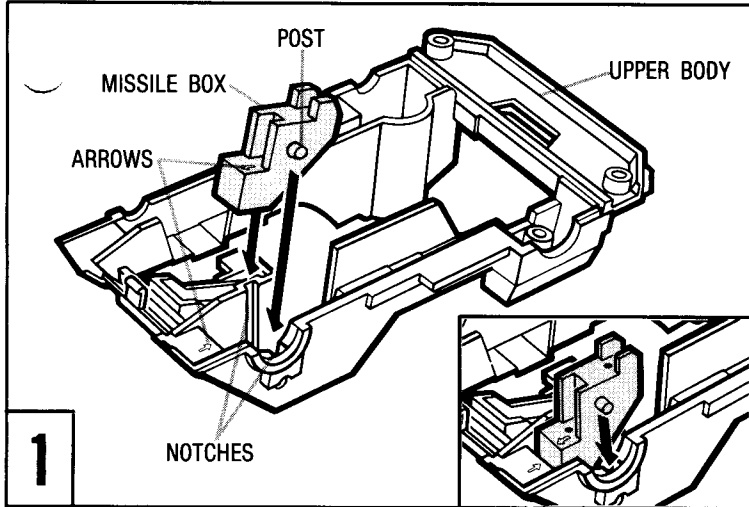


6161



Remove all pieces from plastic frames. If you have difficulty use safety scissors.



1. Turn upper body upside down. Fit missile box into missile launch area located in left side of upper body. Fit missile box posts into notches on sides of launch area. Make sure to position the missile box arrow with the arrow located on upper body (INSET). (ILL. 1)
2. Turn upper body right side up. Locate missile launch area on right side of upper body, and swing up missile box into place. (ILL. 2)
3. Fit groove in upper body rear under tab in lower body rear. (INSET) Snap tab on front end of upper body into hole in front end of lower body. Fit missiles into missile box. (ILL. 3)
4. Snap wheels (12) onto posts on tracks as shown. Snap tracks onto body sides. (ILL. 4)
5. Snap positionable gun onto gun mount. Snap gun mount into hole in body. (ILL. 5)
6. Snap roll bar into holes in body rear. Snap exhaust pipes into holes in body. Place figure in seat. (Figure sold separately.) (ILL. 6)

## SWAMPMASHER

- 1) VINYL-COATED REINFORCED DOUBLE-WALL STEEL CHASSIS
- 2) SEVEN-SPEED ALLOY ENCASED DUAL TRANSAXLES
- 3) COMPLIANCE STRUT/LATERAL LINK SUSPENSION SYSTEM
- 4) SERIES-1 "CRUISER" MAGNETIC ARRAY DETECTION BOMBS
- 5) BARREL CLUSTER CONTAINMENT RINGS
- 6) 20 MM ARMOR-PIERCING MAIN CANNON
- 7) HYDRO-FORM DRIVER CONTAINMENT/COMMAND SEAT
- 8) HYDRAULIC-ASSIST SYNCHRO-MOTOR GUN MOUNT
- 9) "HIGH WATER" CERAMIC LAMINATE EXTENDED EXHAUST
- 10) REINFORCED TUBULAR REAR PROTECTION ROLL BAR
- 11) 4.3 LITER 350 BHP DIRECT IGNITION ENGINE

