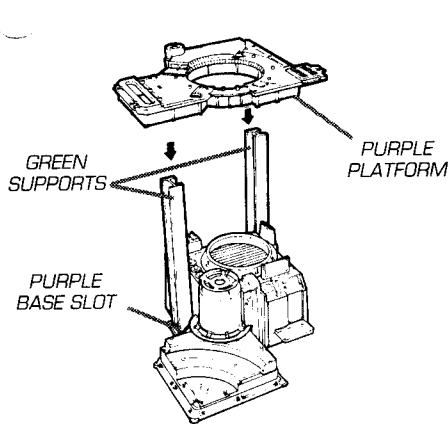
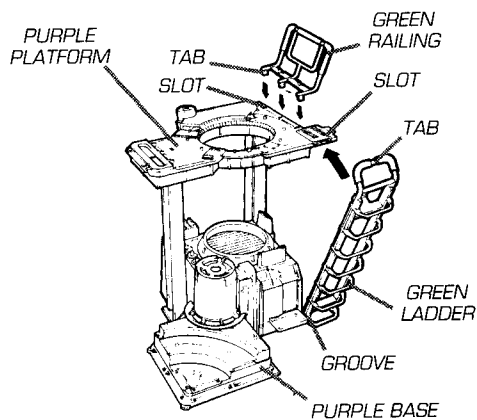


**CONTAINS:** Toxo-lab base, platform, railing, ladder, two supports, toxo-tank, mixer, crane base, upper and lower crane arms, washer, plug, gripper, dive tablet, gun chair, toxo-gun, tubing, "Plasmatox™" container, label sheet and instructions.



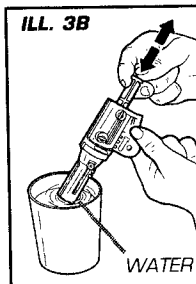
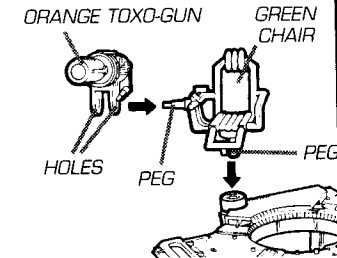
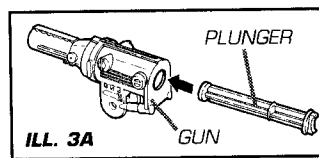
### 1 PLATFORM/BASE ASSEMBLY

Snap green supports into slots in base. Match slots "A" and "B" on purple platform with slots "A" and "B" on purple base. Snap green supports into slots in platform.



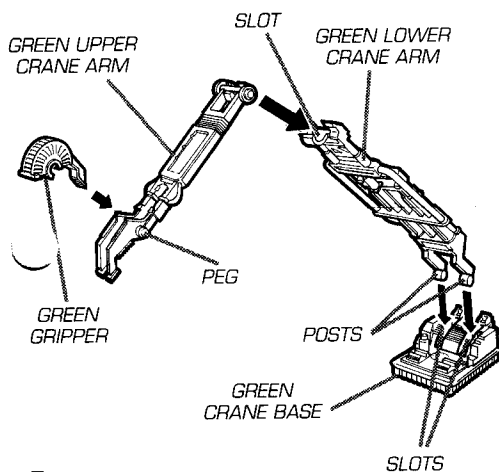
### 2 LADDER/RAILING ASSEMBLY

Slide bottom of green ladder into groove in purple base. Insert tab on top of ladder into slot in purple platform. With green railing facing out as shown, snap tabs on railing into slots in platform.



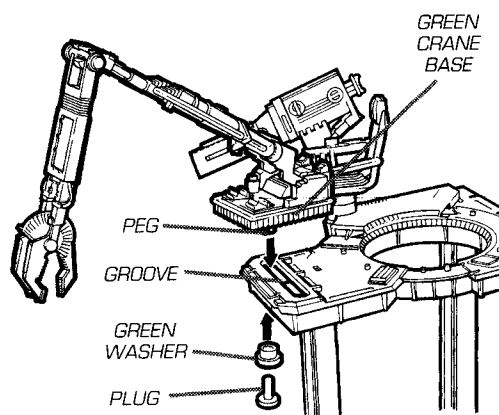
### 3 GUN/CHAIR ASSEMBLY

Insert toxo-gun plunger into the back of gun as shown (ILL. 3A). To fill gun with water, push plunger forward into gun. Place front end of gun into water and pull plunger back. Push in plunger to shoot water (ILL. 3B). Snap peg on green chair into hole on top of purple platform. Fit peg on chair into holes in orange toxo-gun.



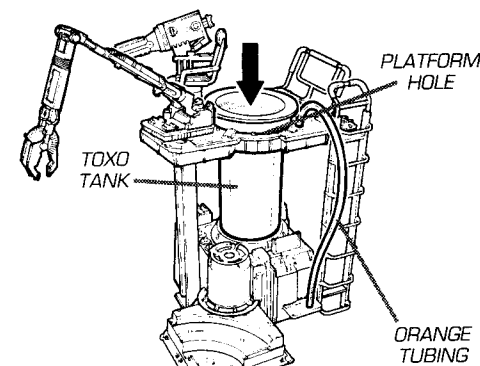
### 4 CRANE ASSEMBLY

Snap posts on green lower crane arm into slots in green crane base as shown. Snap end of green upper crane arm into slot in lower crane arm. Snap green gripper onto peg at end of upper crane arm as shown. The gripper is adjustable and can be used to hold figure (sold separately).



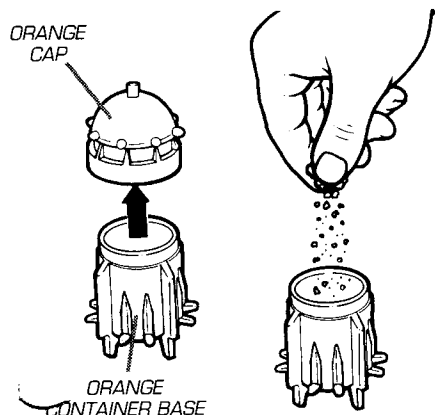
### 5 CRANE ASSEMBLY CONT.

Insert peg on green crane base into groove in upper platform. Snap green washer (skinny end up) onto crane base peg. Insert plug into hole in crane peg.



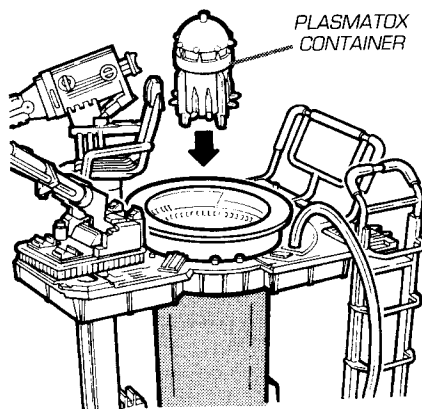
### 6 TOXO-TANK/HOSE INSTALLATION

Insert toxo-tank through big hole in purple platform until it rests in the purple base. Attach ends of orange tubing to any of the various purple pegs on platform and base.



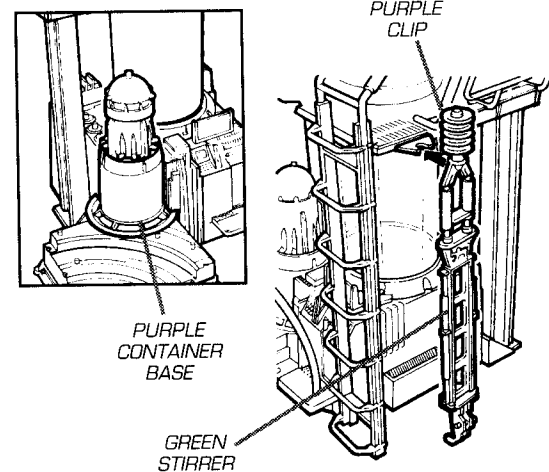
### 7 "PLASMATOX" CONTAINER

To activate "plasmatox" container, remove orange cap from orange container base. Crumble and insert half of dive tablet (included) or baking powder (sold separately) into base and replace cap.



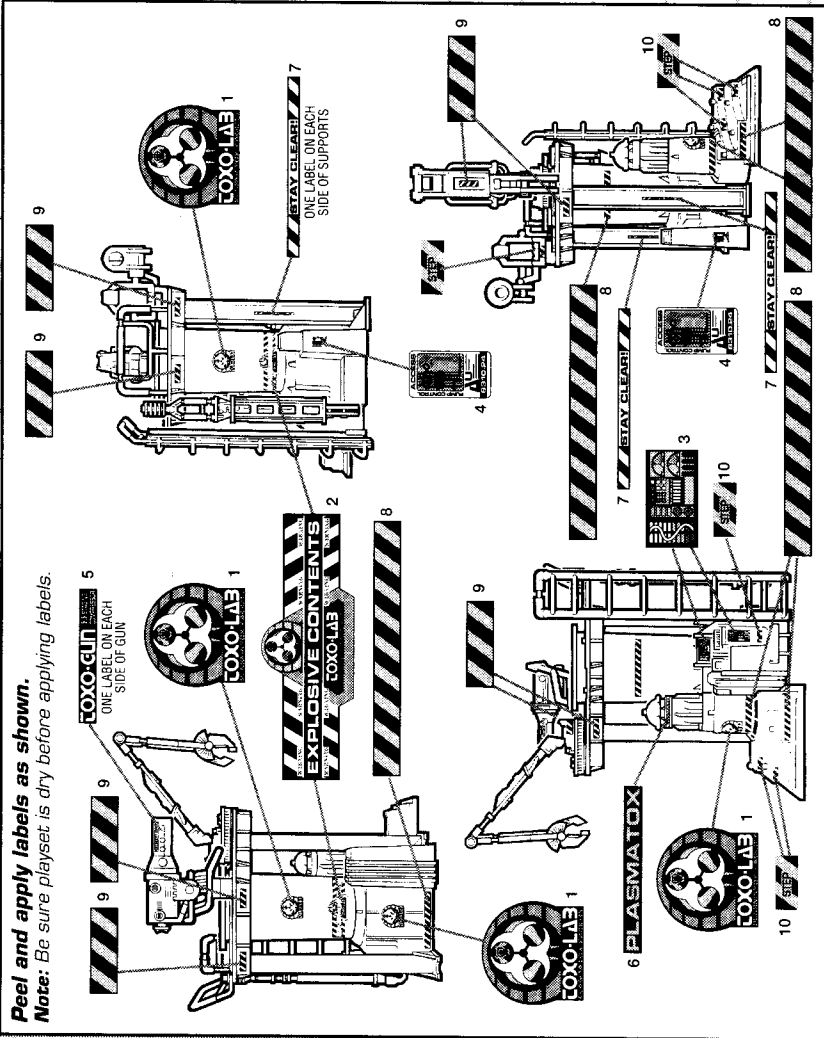
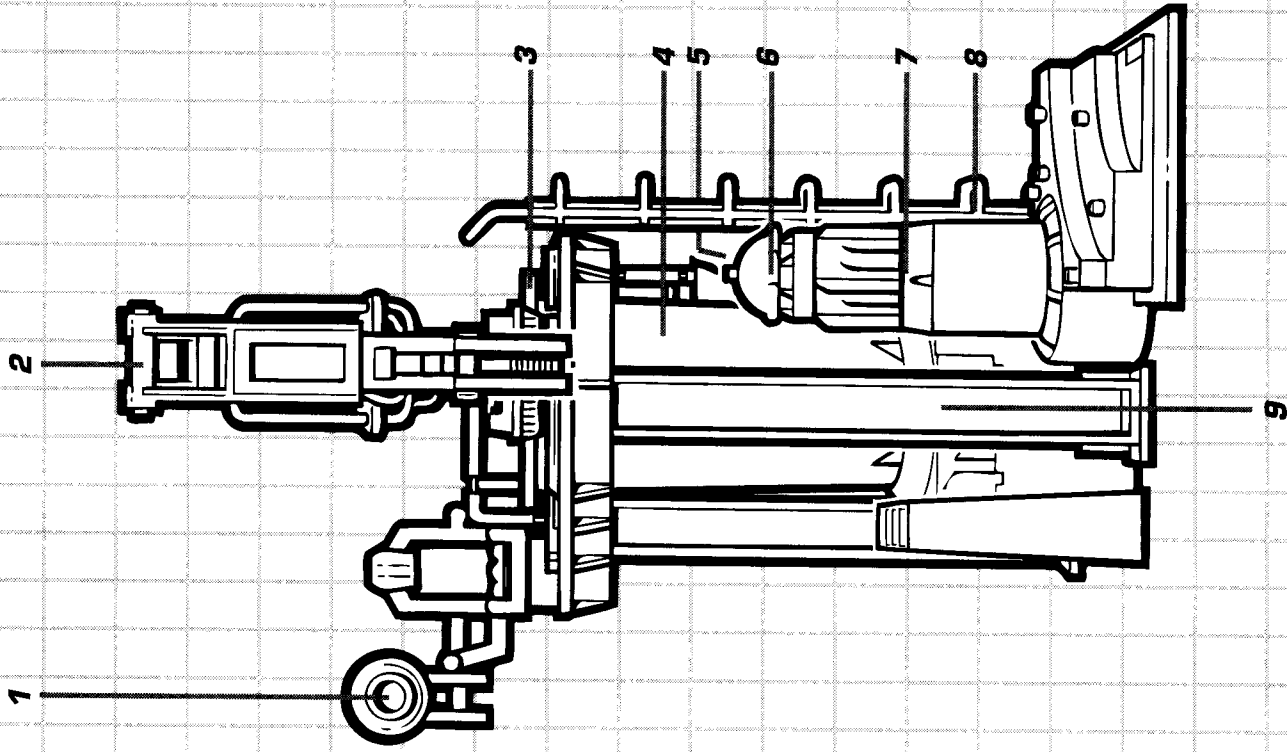
### 8 "PLASMATOX" CONTAINER CONT.

Fill toxo-tank with water and place "plasmatox" container into tank, container will rise and fall in the water until tablet or powder has dissolved. Container can be stored in purple container base as shown (inset). NOTE: Clean container after each use. To store green toxo-tank stirrer, snap into purple clip near ladder on side of platform.



## COBRA™ TOXO-LAB™ OFFICIAL COBRA™ SPECIFICATIONS

- 1) WORKING TOXO-GUN WITH AUTO-STABILIZING GUNNERS SEAT
- 2) WORKING CRANE WITH CLAW ARM
- 3) UPPER LEVEL SUBMERSIBLE LAUNCH AREA
- 4) TOXO-TANK FOR REAL DIVING ACTION
- 5) COMMAND CENTER
- 6) "PLASMATOX™" CONTAINER WITH COLOR-CHANGE BATTLE DAMAGE
- 7) LOWER LEVEL WITH "PLASMATOX™" STAGING AREA
- 8) DURO-STEEL ACCESS LADDER
- 9) REINFORCED GIRDER SUPPORTS



Approximate size of Cobra Toxo Lab is 8" L x 7 1/4" W x 11" H.