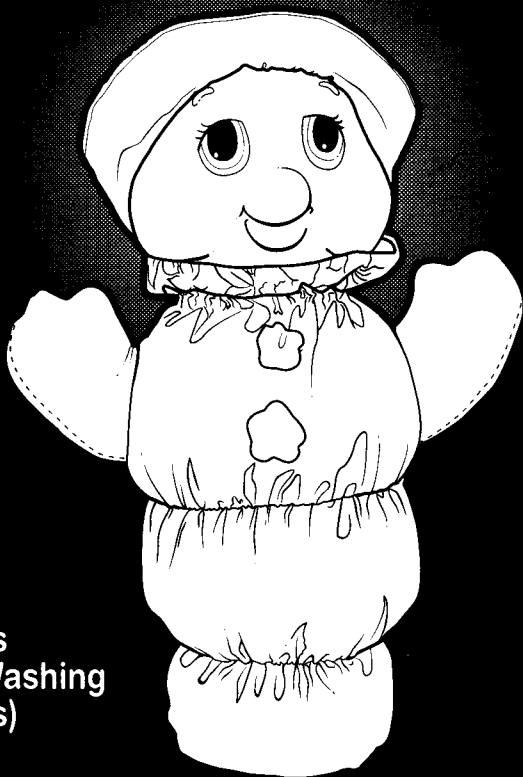


PLAYSKOOL[®]

Ages 6 mo. & Up

Thank you for purchasing Playskool's *Gloworm*.

Gloworm[®]



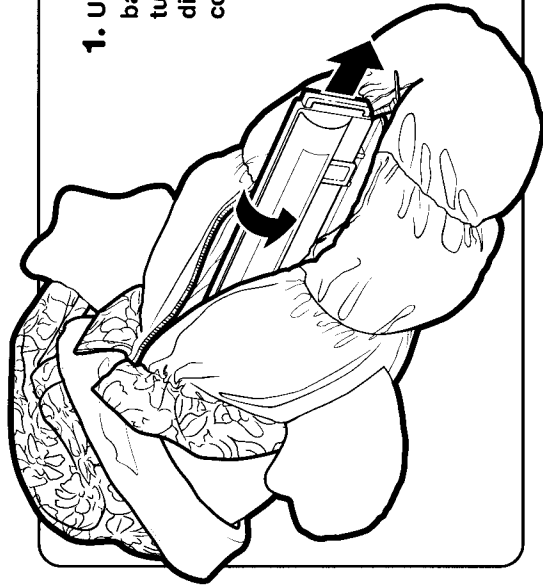
Instructions
(Includes Washing
Instructions)

Note: This toy was designed with your child's safety in mind. Gloworm has a child-resistant battery pack that must be removed and installed by an adult. Please be aware of this and follow the directions carefully. During shipment or after washing, the filling may shift and cause Gloworm's light to stay on. If this occurs, simply distribute the filling evenly throughout the pajamas until the light goes on only when activated.

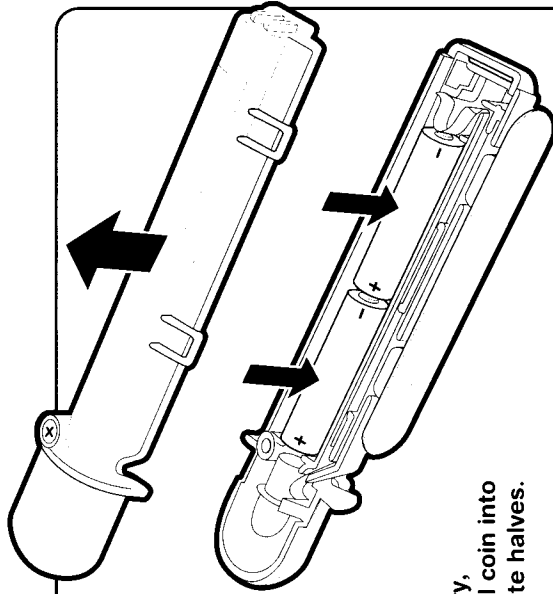


Questions? Call:
1-800-PLAYSKL[™]

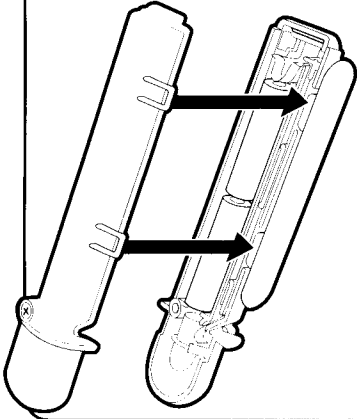
HOW TO REMOVE BATTERY PACK FOR INSTALLING BATTERIES AND WASHING:



1. Unzip pajamas. To remove battery pack, twist pack 1/4 turn in a counter-clockwise direction, and pull out completely.



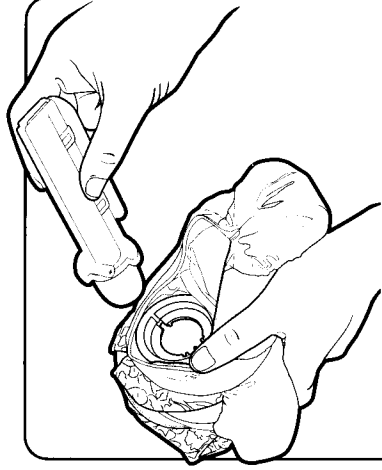
2. Using a Phillips head screwdriver, remove screw located near tip of battery pack. (If you lose the screw, replace with a 4mm screw that can be purchased in most hardware stores.)
3. Separate battery pack into two halves. If necessary, insert a dime or other small coin into slot in tip of pack to separate halves.
4. Place 2 "AA" alkaline batteries (not included) into bottom half of battery pack. Make sure batteries are positioned properly. (Gloworm comes with a light bulb; if you need to replace it, use a PR-3 or PR-6 light bulb. To replace bulb, remove old one and discard it immediately. Place new bulb in pack.)



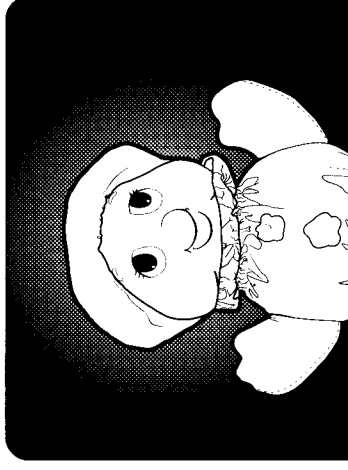
5. To put battery pack together again, place slots on activating handle over tabs on bottom half of pack. Insert tab into slot at tail end of pack halves and close pack. Replace screw.



7. Push battery pack into neck ring as far as it will go. Twist pack 1/4 turn in a clockwise direction to lock pack firmly inside Gloworm's head. Make sure fabric does not get caught between pack and neck ring.



6. Fold fabric away from neck ring on Gloworm to expose neck ring completely. Insert battery pack into neck ring, with arrows on pack and ring aligned point to point.



8. Tuck rest of battery pack inside Gloworm. Zip pajamas closed. Be careful not to catch any fabric in zipper. Press tummy to make sure head glows brightly.

WASHING INSTRUCTIONS

CAUTION: DO NOT WASH GLOWORM WITH BATTERY PACK INSIDE.

1. Unzip pajamas and remove battery pack.
2. Zip pajamas closed.
3. Place Gloworm in pillow case and tie end closed.
4. Wash Gloworm in cold water, gentle cycle, mild detergent, **NO BLEACH.**
5. Tumble dry in pillow case on low heat setting.
6. After Gloworm is dry, distribute filling evenly throughout pajamas. (During washing, filling may bunch up.)
7. Replace battery pack in Gloworm.
8. If light continues to stay on, remove battery pack, distribute filling again, and replace battery pack.

CAUTION: TO AVOID BATTERY LEAKAGE:

1. Be sure to insert the batteries correctly and follow the toy and battery manufacturers' instructions.
2. Do not mix old and new batteries.
3. Do not mix alkaline, standard (carbon-zinc) or rechargeable (nickel-cadmium) batteries.
4. Always remove exhausted or dead batteries from the product.

If you have any questions, concerns or comments about this product, please call Playskool toll-free at 1-800-PLAYSKL.

© 1993, 1996 Hasbro, Inc., Pawtucket, RI 02862 USA. All Rights Reserved.

MADE IN CHINA. C-078A

® denotes Reg. U.S. Pat. & TM Office

U.S. Design Patent No. D-274,924

5770 Asst. P/N 46759500