



# HAPPY TUNE™ Walker Rider

## ASSEMBLY INSTRUCTIONS

Model No. 50000

AGES 1 TO 3

MAX. WT. 40 LBS.



1 C-size Alkaline Battery Required  
(Not Included)

Color and decorations may vary. Size is approximate ©1988 Children's Television Workshop Sesame Street MUPPETS ©1988 Muppets, Inc. All Rights Reserved. Sesame Street and the Sesame Street sign are trademarks and service marks of Children's Television Workshop. MUPPETS is a trademark of Muppets, Inc. Manufactured by Playskool, Inc., Pawtucket, RI 02862 U.S.A., a subsidiary of Hasbro, Inc. All Rights Reserved.

MADE IN U.S.A.

Carousel Assembly Made in Taiwan.



**PLEASE NOTE:** ADULT ASSEMBLY REQUIRED. READ INSTRUCTIONS PRIOR TO ASSEMBLY.

**TOOLS REQUIRED (NOT INCLUDED):** Hammer, regular Screwdriver, Phillips Screwdriver and a small block of wood (approx. 2" x 2" x 3/4").

### WARNING:

ADULT SUPERVISION AND INSTRUCTION REQUIRED REGARDING THE PROPER USE OF THIS TOY. THIS RIDE-ON TOY SHOULD NOT BE USED NEAR SWIMMING POOLS, ON OR NEAR HILLS, ROADWAYS, SLOPED DRIVEWAYS, ALLEYS OR STEPS. SHOES MUST BE WORN AT ALL TIMES. ONLY ONE RIDER AT A TIME. DO NOT RIDE AFTER DARK. DO NOT CARRY ANYTHING THAT IMPAIRS VISION. CAUTION: DO NOT LEAVE CHILD UNATTENDED.

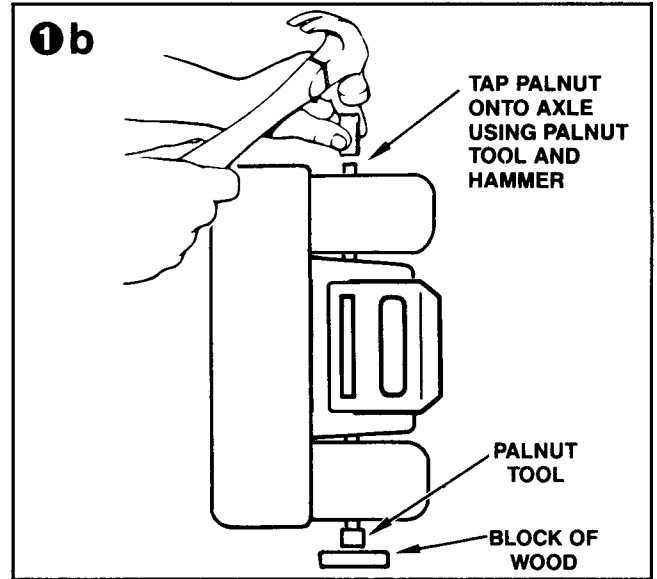
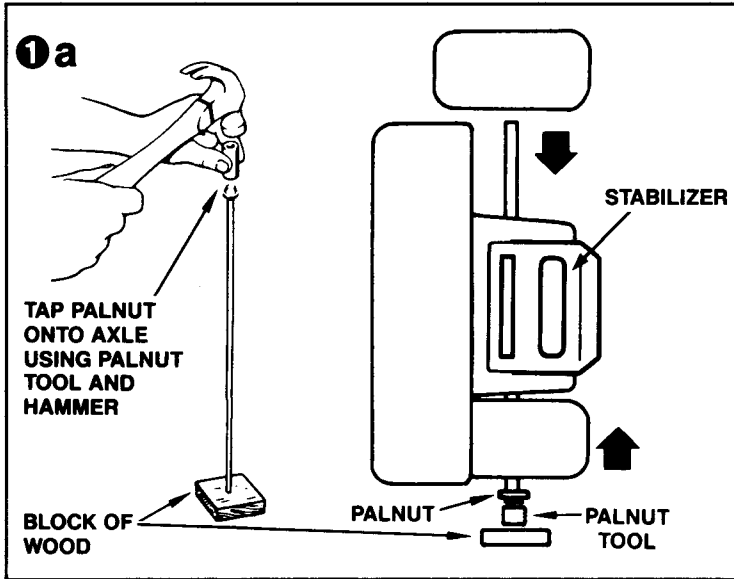
## STEP 1. REAR WHEEL ASSEMBLY

Place the REAR AXLE onto a small block of wood as shown. Be sure to use the **longer** of the two axles. Position PALNUT over axle end and the PALNUT TOOL over the PALNUT. Secure PALNUT to axle by striking the tool with a hammer.

Seat the STABILIZER in recess located at rear of vehicle. Slide the axle through the outside side

of one wheel. Push axle through holes in body, as shown. Place PALNUT TOOL on block of wood. Put vehicle on its side, so the PALNUT that is already installed on axle fits into PALNUT TOOL on block of wood.

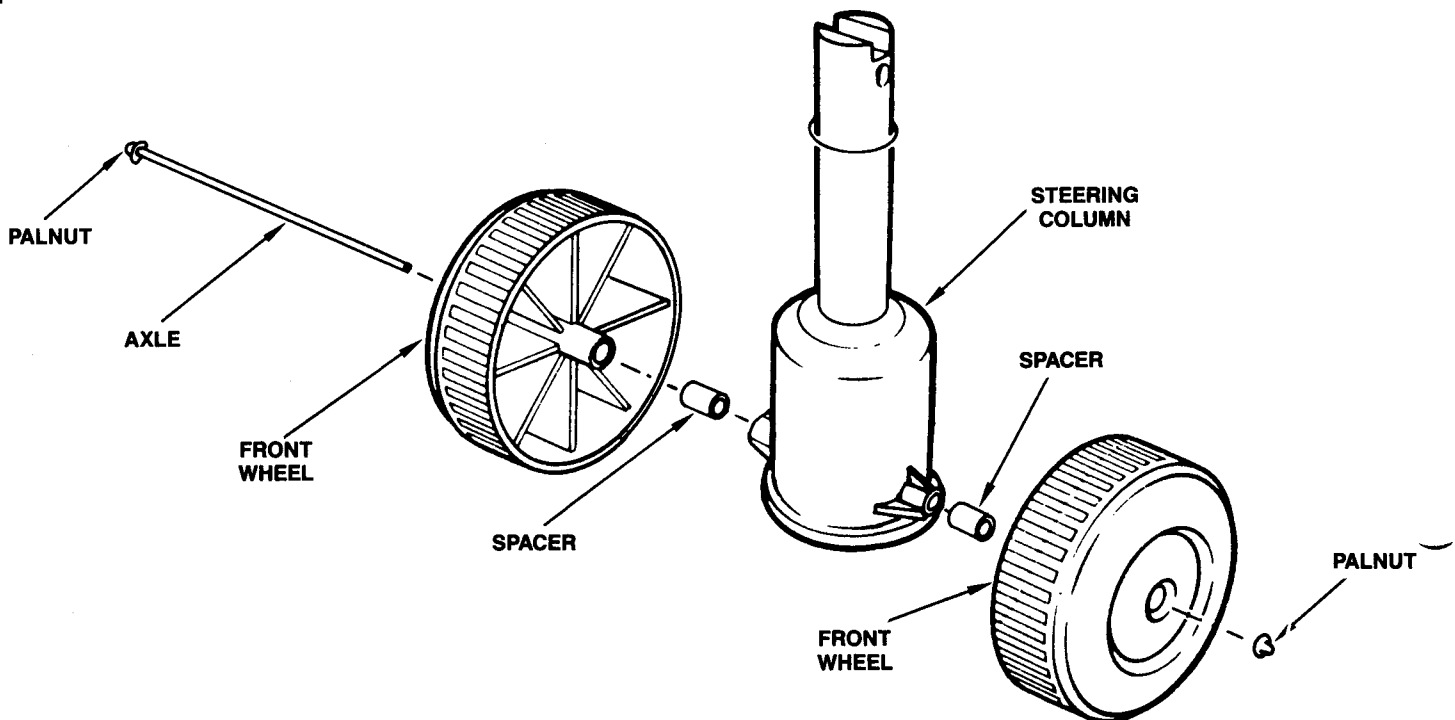
Place second rear wheel onto axle. Use hammer and second PALNUT TOOL to gently tap PALNUT onto end of axle.



## STEP 2. FRONT WHEEL ASSEMBLY

Place the SHORT AXLE onto a small block of wood. (See illustration, Step 1A, and repeat procedure.) Slide the axle through the outside of one wheel and spacer. Push axle through holes in STEERING COLUMN (see illustration). Place PALNUT TOOL on block of wood. Put steering column assembly on its side, so the PALNUT that is already installed on axle fits into PALNUT TOOL on block of wood.

Place the second spacer and front wheel onto axle. Use hammer and second PALNUT TOOL to gently tap PALNUT onto end of axle.

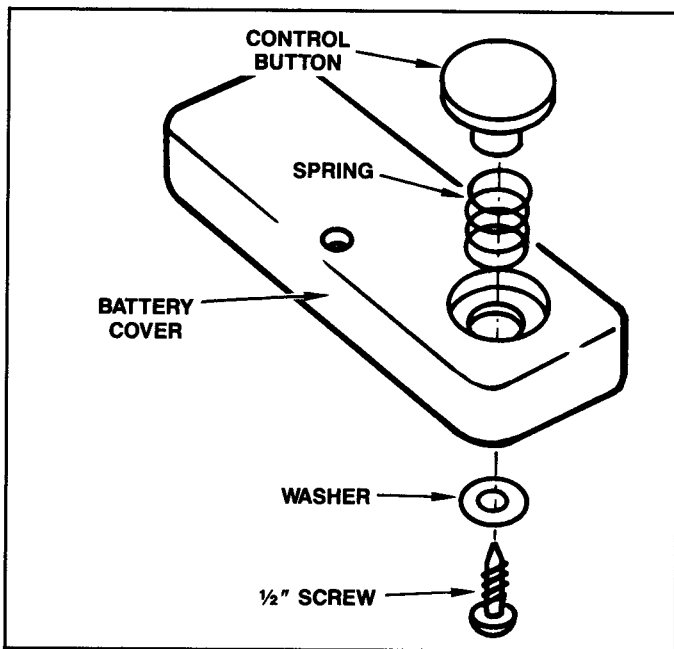
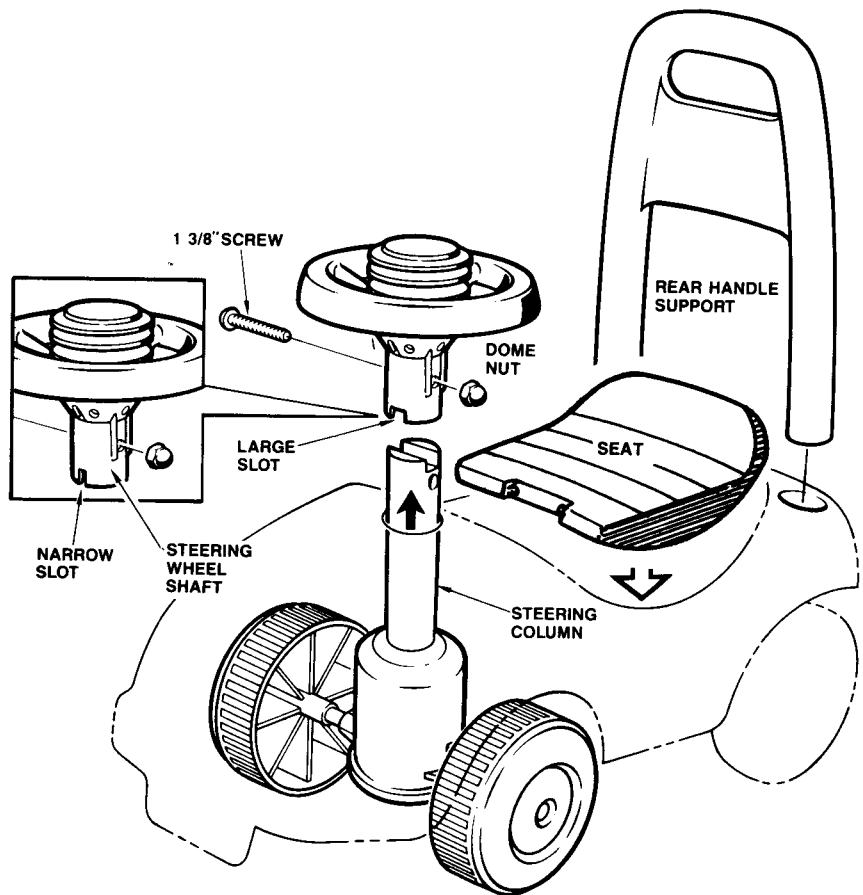


### STEP 3. STEERING COLUMN ASSEMBLY

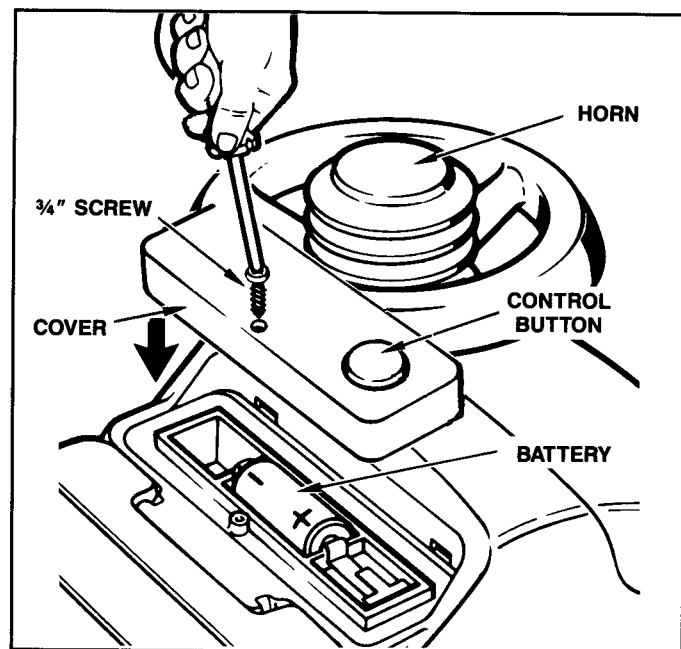
Insert the STEERING COLUMN through the hole in the body of the rider as shown. Before securing the steering wheel to the column, note that at the bottom of the steering wheel shaft there is a large slot and a narrow slot. When the large slot faces the front (as shown) the steering wheel is less mobile (better for younger children). As the child gets older, the steering wheel can be turned so that the narrow slot faces forward, allowing for greater movement.

Secure the steering wheel shaft to the steering column using the 1 3/8" screw and dome nut provided.

Align hinge pegs on seat with holes on body and snap into place. Then, push the rear handle support into the holes shown.



**STEP 4. CONTROL BUTTON INSTALLATION**  
Align BUTTON and SPRING as shown. Push through top of BATTERY COMPARTMENT COVER. Attach with 1/2" screw and washer.



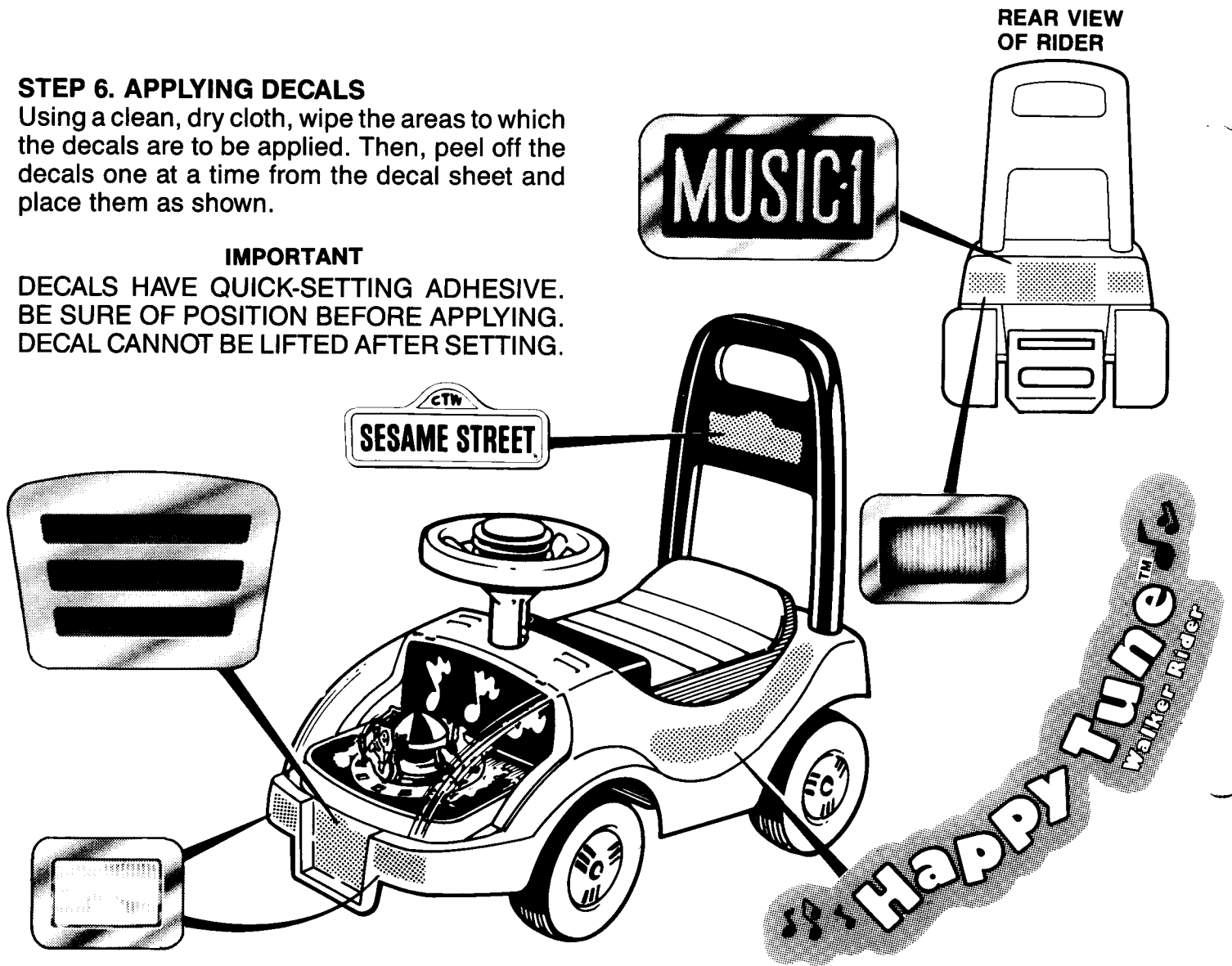
**STEP 5. BATTERY AND BATTERY COMPARTMENT COVER INSTALLATION**  
Install a C-size battery in the position shown. Install the BATTERY COMPARTMENT COVER using 3/4" screw as shown. To activate the musical merry-go-round and light, simply push the control button.

## STEP 6. APPLYING DECALS

Using a clean, dry cloth, wipe the areas to which the decals are to be applied. Then, peel off the decals one at a time from the decal sheet and place them as shown.

### IMPORTANT

DECALS HAVE QUICK-SETTING ADHESIVE. BE SURE OF POSITION BEFORE APPLYING. DECAL CANNOT BE LIFTED AFTER SETTING.



**PLEASE RETAIN THIS GUIDE AND ALL LITERATURE FOR FUTURE REFERENCE.**

**IMPORTANT NOTICE: PARENTS PLEASE MAKE PERIODIC INSPECTIONS OF VEHICLE HARDWARE TO ENSURE THAT IT IS SECURE.**

**PLEASE NOTE: If you have any questions or comments concerning this product, call our Playskool Customer Service hotline**

**1-800-237-0063**

**Monday through Friday, 8:30 am to 4:30 pm. Eastern Standard Time.**

**In Rhode Island, call: 431-8697**

**All written inquiries should be mailed to:**

**Playskool Consumer Services Division**

**P.O. Box 5839, Pawtucket, Rhode Island 02862**

**This will provide quick and reliable service for your product.**

**Do not request same from your dealer.**

Model No. 50000

**PLAYSKOOL**

P/N 40018100

©1989 Playskool, Inc., a subsidiary of Hasbro, Inc. All Rights Reserved.  
Made and Printed in U.S.A. U.S. PAT. NO. 3,902,739 U.S. PAT. NO. D-239,127