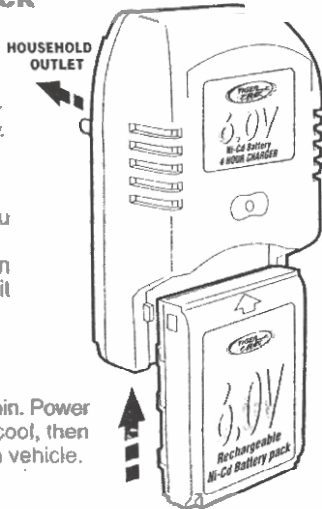


## GETTING STARTED

### 1. Charge the Power Pack

1. Plug charger into a 120V household outlet.
2. Charge the power pack for 4hrs.  
*Note: Pack is not charged when new.*
3. After charging for 4hrs, unplug charger and disconnect pack.
4. **IMPORTANT:** The first 3 times you charge the battery, charge for at least 5.5 hours in order to condition the battery, and run battery until it is fully exhausted.



#### RUNNING TIME

Approximate running time is 12-18 min. Power pack may quit suddenly. Let pack cool, then recharge after removing pack from vehicle.

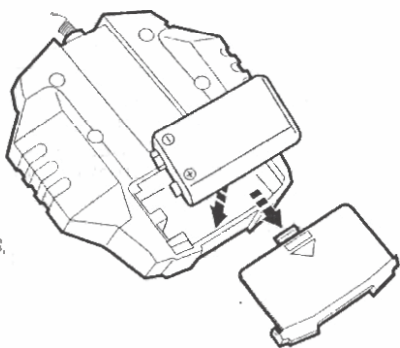
#### CAUTION

- Do not remove warm or hot power packs. Wait 20 min. until pack has cooled. Recharging too early will shorten pack life.
- Recharging near fire or high temperature is dangerous.
- Do not recharge packs that show wear or leakage.
- Always unplug power pack when not in use.
- Do not dispose of pack in fire, explosion or personal injury may occur. Dispose of power packs properly, do not disassemble.
- Always remove power pack from vehicle before charging.
- Do not use charger for any use other than instructed in directions.

### 2. Install Battery in Hand Controller

1. Remove cover of battery compartment on the hand remote.
2. Insert one \*9V\*6LR61 Heavy Duty Battery.
3. Be sure the + and - are properly matched.

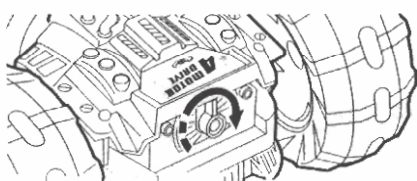
*Note: FOR BEST PERFORMANCE ALWAYS USE ALKALINE BATTERIES.*



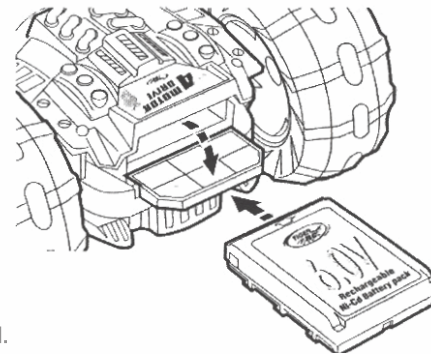
### 3. Install Charged Power Pack in Vehicle

#### TO INSERT BATTERY

1. Unlock battery door by turning latch to the right.



2. Slide fully charged Ni-Cd Battery pack forward.



3. Relock the battery door.

#### TO REMOVE BATTERY

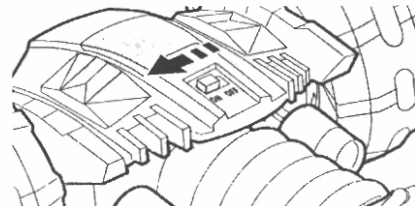
1. Unlatch battery door.
2. Slide battery backward.

To ensure proper function

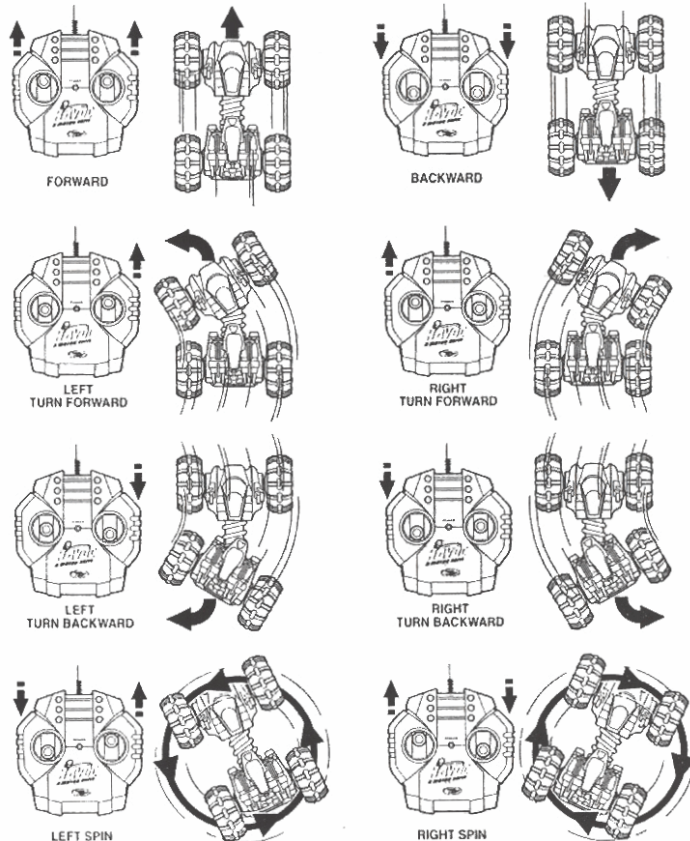
- Do not mix old and new batteries.
- Do not mix alkaline, standard, or rechargeable batteries.
- Batteries installation should be done by an adult.
- Non-rechargeable batteries are not to be recharged.
- Rechargeable batteries are to be removed from the toy before being recharged (if removable).
- Rechargeable batteries are only to be charged under adult supervision (if removable).
- Only batteries of the same or equivalent type as recommended are to be used
- Batteries are to be inserted with correct polarity.
- Exhausted batteries are to be removed from the toy.
- The supply terminals are not to be short-circuited.

### 4. Driving

1. Turn On/Off switch on vehicle to the On position.



#### 2. Operation



3. When you're done driving your Havoc RC turn the On/Off switch

**CAUTION-ELECTRIC TOY:**  
NOT RECOMMENDED FOR CHILDREN UNDER 8 YEARS OF AGES. AS WITH ALL ELECTRIC PRODUCTS, PRECAUTIONS SHOULD BE OBSERVED DURING HANDLING AND USE TO PREVENT ELECTRIC SHOCK. INPUT: AC120V, 60HZ 4.5W OUTPUT: DC6V 240MA.

## SAFETY

Adults, this toy is recommended for children age 8 years and older. Please review all operating instructions and safety guidelines.

### Operating And Caring For Havoc

- DO NOT drive Havoc on streets. Streets are for real cars only.
- Always operate your vehicle within a range of 50 feet from you.
- Always store your vehicle in a cool, dry place and off of painted or varnished surfaces.
- Keep vehicle away from wet surfaces or rain. If your vehicle ACCIDENTALLY gets wet and stops running, let it dry overnight before trying to run it again.
- Keep vehicle away from sandy, dusty areas.
- Electronic instruments are sensitive to direct sunlight or heat. Avoid long periods of play under direct sunlight.

### CLEANING AND MAINTENANCE HINTS

- Brush areas where dirt and dust get trapped.
- Wipe body off with a soft rag or tact cloth.
- Do not clean vehicle with chemicals or water.

### GUIDE FOR TROUBLE SHOOTING

Check the points below if you are experiencing difficulty. Sometimes an apparent malfunction is the result of a simple cause and effect as shown below.

SYMPTOM	PROBABLE CAUSE	CORRECTION
Vehicle runs slowly or will not run.	Main vehicle switch not ON.	Check vehicle switch, must be ON.
	Weak vehicle or controller batteries.	Replace with fresh alkaline battery for controller. For vehicle, replace with fully charged Ni-Cd battery.
	Using wrong transmitter.	Use correct transmitter.
Erratic operation or only short range possible.	Radio interference likely.	Change location (SEE OPERATING AND CARING FOR HAVOC)
Short vehicle battery life.	Continues use on rough terrain or steep hills.	Use on less severe terrain.

If you would like further help with your Havoc RC, please call the Tiger Electronics Consumer Helpline at 1-800-844-3733.

### CAUTION

1. Radio interference can be caused by the presence of other radio-controlled vehicles operation on the same frequency as your vehicle.
2. Radio interference can be caused by the operation of your vehicle near high voltage electrical wires, large steel reinforced concrete buildings and passing trucks with CB radios.
3. Do NOT operate your vehicle over wet surfaces. Water can damage the internal electronic assemblies.
4. Do NOT drive your remote control vehicle into the streets.
5. For best results, hold antenna up, not pointed down toward the RC vehicle. Too far away from the transmitter, your signal strength will become weak and the vehicle will not function properly. The maximum range for the vehicle should be between 30 and 50 feet depending on conditions.

### FCC STATEMENTS

This device complies with Part 15 of the FCC Rules. Operation is subject to the following two conditions:

- (1) this device may not cause harmful interference, and

Warning: Changes or modifications to this unit not expressly approved by the party responsible for compliance could void the user's authority to operate the equipment.

**CAUTION:** Not recommended for children under age of 8. Read all instructions before operating. Avoid hitting people, pets, or furniture. Do not pick up moving vehicle. Keep hair, hands, and clothing away from vehicle when power switch is turned ON. Remove batteries when vehicle is stored. AVOID TIRE CONTACT ON PAINTED OR VARNISHED SURFACES. Outdoor play recommended.

**NOTE:** This equipment has been tested and found to comply with the limits for a Class B digital device, pursuant to Part 15 of the FCC Rules. These limits are designed to provide reasonable protection against harmful interference in a residential installation. This equipment generates, uses, and can radiate radio frequency energy and, if not installed and used in accordance with the instructions, may cause harmful interference to radio communications. However, there is no guarantee that interference will not occur in a particular installation. If this equipment does cause harmful interference to radio or television reception, which can be determined by turning the equipment off and on, the user is encouraged to try to correct the interference by one or more of the following measures:

- Reorient or relocate the receiving antenna.
- Increase the separation between the equipment and receiver.
- Connect the equipment into an outlet on a circuit different from that to which the receiver is connected.
- Consult the dealer or an experienced radio TV technician for help.

### 90-DAY LIMITED WARRANTY

Tiger Electronics, LTD. (Tiger) warrants to the original consumer purchaser of this product will be free from defects in materials or workmanship for 90 days from the date of original purchase. This warranty does not cover damages resulting from accident, negligence, improper service or use or other causes not arising out of defects in materials or workmanship.

During this 90-day warranty period, the product will either be repaired or replaced (at Tiger's option) without charge to the purchaser, when returned with proof of the date of purchase to either the dealer or to Tiger.

Product returned to Tiger without proof of the date of purchase or after the 90-day warranty period has expired, but prior to one year from the original date of purchase, will be repaired or replaced (at Tiger's option) for a service fee of U.S. \$39.00. Payments must be by check or money order payable to Tiger Electronics, Ltd.

The foregoing states the purchaser's sole and exclusive remedy for any breach of warranty with respect to the product.

All product returned must be shipped prepaid and insured for loss or damage to:

Tiger Repair Department  
1000 N. Butterfield Road, Unit 1023  
Vernon Hills, IL 60061, U.S.A.

The product should be carefully packed in the original box or other packing materials sufficient to avoid damage during shipment. Include a complete written description of the defect, a check if product is beyond the 90-day warranty period, and your printed name, address and telephone number.

**THIS WARRANTY IS IN LIEU OF ALL OTHER WARRANTIES AND NO OTHER REPRESENTATIONS OR CLAIMS OF ANY NATURE SHALL BE BINDING ON OR OBLIGATE TIGER IN ANY WAY. ANY IMPLIED WARRANTIES APPLICABLE TO THIS PRODUCT, INCLUDING WARRANTIES OF MERCHANTABILITY AND FITNESS FOR A PARTICULAR PURPOSE, ARE LIMITED TO THE NINETY (90) DAY PERIOD DESCRIBED ABOVE. IN NO CONSEQUENTIAL DAMAGES RESULTING FROM POSSESSION, USE, OR MALFUNCTION OF THIS PRODUCT.**

Some states do not allow limitations as to how long an implied warranty lasts and/or exclusions or limitations of incidental or consequential damages so the above limitations and/or exclusions of liability may not apply to you. This warranty gives you specific rights, and you may also have other rights which vary from state to state.

For more information about Tiger Electronics, our products and special promotions, please visit our web site at: [www.tigertoys.com](http://www.tigertoys.com)

**TIGER**  
ELECTRONICS, LTD.



©, TM, & © 2000 Tiger Electronics, Ltd. All rights reserved.  
980 Woodlands Parkway Vernon Hills, Illinois 60061 U.S.A

Parent should examine the unit and charger periodically, in case there is any damage, the toy must not be used until that damage has been properly repaired.

**CARE AND USE MAINTENANCE :**

- Clean the unit with a soft, damp cloth.
- Please do not put the unit in direct sunlight or near any source of heat.
- Please remove the battery if you won't be using the unit for a long period of time.
- Do not use any chemical solvent to clean the unit.
- Don't spill anything on the unit.
- Do not immersed in water.

**THE BATTERY PACK (INCLUDED)**

Type: Ni-Cd Battery

Number of cells : 5 x 1.2 v

Voltage : 6 volts

Capacity : 700mAh(Premium)

063010001IN1TI-01