

HIDE 'N SQUEAK

For 2 or More Players
Ages 4 and Up

CONTENTS: 1 Electronic
"Barking" Puppy



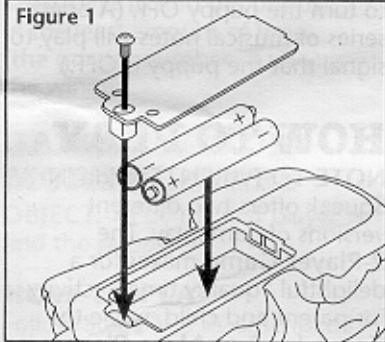
LOST PUPPY!

One cute little brown spotted puppy is missing. It seems someone has hidden him away. Where can he be? Perhaps if you listen for the sound of his bark, you can be the one to find him. You can look for him by yourself, or your friends can join you. Quick! He needs your help now!

GETTING THE PUPPY READY FOR PLAY

Insert batteries: Loosen the screw on the battery compartment, located on the underside of the puppy, and remove the door. Insert 2 "AA" size batteries (we recommend alkaline), making sure to align the + and - with the markings in the plastic. Replace the door and tighten the screw. See Figure 1.

Figure 1



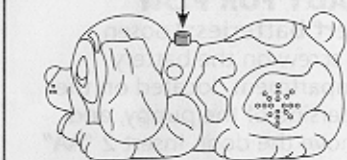
⚠ CAUTION:

TO AVOID BATTERY LEAKAGE

1. Be sure to insert the batteries correctly and always follow the game and battery manufacturers' instructions.
2. Do not mix old and new batteries, or alkaline, standard (carbon-zinc), or rechargeable (nickel-cadmium) batteries.
3. Always remove weak or dead batteries from the product.

Test the Batteries: Press the ON/OFF button on the puppy's collar once. See Figure 2. If the puppy barks, you're ready for play. If the puppy doesn't bark, the batteries may be weak or improperly installed.

Figure 2
ON/OFF button



To Turn Off the Puppy: After the puppy barks once, wait approximately 5 seconds and press the ON/OFF button again to turn the puppy OFF. (A brief series of musical notes will play to signal that the puppy is OFF.)

HOW TO PLAY

NOTE TO PARENTS: Hide 'N Squeak offers two different versions of gameplay. The **2-Player Game** makes for a delightful "quality time" activity for parent and child, while the **Game for 3 or More Players** is perfect for group play. Both versions of gameplay may be played at three different skill levels.

2-PLAYER GAME

OBJECT: Listen to the "barking" sounds to find the hidden puppy in the least amount of time.

GETTING STARTED

Choose Your Role: One player is the "Hider" (the person who will hide the puppy), and the other player is the "Seeker" (the person who will try to find the puppy).

PLAYING THE GAME

Do the following steps in order:

STEP 1: Choose an area to be home base. (It could be the kitchen table, the living room couch, or maybe even your bed. You pick the place!) Both players go there now.

STEP 2: Decide upon a skill level, *but do not select it yet.*

Skill Levels

The difference between the three skill levels is the amount of time between puppy "barks." It's always easier, of course, to find a puppy that barks more often.

STEP 3: Seeker, close your eyes. Hider, leave home base and go hide the puppy. Some places to hide the puppy might be under a bed, or in an open drawer, or behind a curtain. **IMPORTANT!** Do not cover up the puppy with something heavy, or shut him in a drawer or closet. If no one can hear him bark, then no one can find him!

STEP 4: Hider, once you have found a good hiding place for the puppy, press the puppy's ON/OFF button to activate the skill level. (See **Selecting a Skill Level.**) Put the puppy in its hiding place and quietly hurry back to home base. (Making a noise may give away where you have hidden the puppy.) Quick! You only have about 15 seconds to get there before the puppy starts barking!

STEP 5: Seeker, as soon as the Hider returns to home base, **GO FIND THE PUPPY!** Hider, follow along for fun.

STEP 6: Seeker, when you find the puppy, press the puppy's ON/OFF button once to turn the puppy OFF. **IMPORTANT!** You must do so in front of the Hider. Now, both players must count the number of "trills" (series of musical notes) made by the puppy. Listen carefully! The greater the number of trills, the faster the puppy was found. See **Your Musical Score.**

STEP 7: Now switch roles and play another round where the Hider is now the Seeker and the Seeker is now the Hider.

Selecting a Skill Level

Select a skill level based on the age and ability of the player who is the Seeker.

Suggestion: Begin with Skill Level 1 when first becoming familiar with the game.

EASY

Skill Level 1—Press the ON/OFF button *once* for the *easiest* level of play. (You will hear one "bark" to confirm the skill level.)

MORE DIFFICULT

Skill Level 2—Press the ON/OFF button *twice* for a *more challenging* level of play. (You will hear two "barks" to confirm the skill level.)

MOST DIFFICULT

Skill Level 3—Press the ON/OFF button *three times* for the *most challenging* level of play. (You will hear three "barks" to confirm the skill level.)

NOTE: When playing at either one of the difficult skill levels, the puppy will automatically switch back to the easier skill level(s) as time elapses and the puppy is not found.

Your Musical Score:

3 Trills—CONGRATULATIONS! You are "the top dog" and were able to find the puppy in the quickest time!

2 Trills—HOORAY! You found the puppy in great time!

1 Trill—GOOD FOR YOU! You found the puppy and he is happy to see you!

HOW TO WIN

The player to find the puppy in the least amount of time (the greater number of trills) is the winner!

GAME FOR 3 OR MORE PLAYERS

OBJECT: To be the first player to find the puppy.

HOW TO PLAY

Follow Steps 1–5 as described in the 2-Player Game. **Exception:** One player is still the "Hider," but *all other players* are the "Seekers."

HOW TO WIN

If you are the first player to find the puppy, you must press his ON/OFF button once to turn the puppy OFF. You must then return the puppy back to home base.

The first player to find the puppy and return him to home base is the winner.



PLAY HIDE 'N SQUEAK WITH A KITTY, TOO!

(Kitty sold separately)

2 animals means TWICE as much fun!

2-ANIMAL GAME FOR 2 OR MORE PLAYERS

OBJECT: To be the first team to find the other team's hidden animal.

HOW TO PLAY

Players are divided into two teams: The Puppy Team and the Kitty Team. Follow Steps 1-5 as described in the 2-Player Game, with these exceptions:

- At the same time, each team hides their animal. (The Puppy Team hides the puppy; the Kitty Team hides the kitty.)
- When all players are back at home base, the seeking begins. At the same time, the Puppy Team tries to find the kitty, and the Kitty Team tries to find the puppy.

HOW TO WIN

If you are the first player to find the other team's hidden animal, you must press the animal's ON/OFF button once to turn the animal OFF. You must then return the animal back to home base.

The first team to find the other team's hidden animal and return it to home base wins the game.

FCC Statement

This equipment has been tested and found to comply with the limits for a Class B digital device, pursuant to part 15 of the FCC Rules. These limits are designed to provide reasonable protection against harmful interference in a residential installation. This equipment generates, uses, and can radiate radio frequency energy, and, if not installed and used in accordance with the instructions, may cause harmful interference to radio communications. However, there is no guarantee that interference will not occur in a particular installation. If this equipment does cause harmful interference to radio or television reception, which can be determined by turning the equipment off and on, the user is encouraged to try to correct the interference by one or more of the following measures:

- Reorient or relocate the receiving antenna.
- Increase the separation between the equipment and receiver.
- Consult the dealer or an experienced radio/TV technician for help.

We will be happy to hear your questions or comments about this game.

Write to: Hasbro Games, Consumer Affairs Dept., P.O. Box 200, Pawtucket, RI 02862. Tel: 888-836-7025 (toll free). Canadian consumers please write to: Hasbro Canada, P.O. Box 267, Station A, Longueuil, Quebec J4H 3X6.

©1994, 2002 Hasbro, Pawtucket, RI 02862. All Rights Reserved.
PRINTED IN CHINA. 04519

PROOF OF PURCHASE



HASBRO.COM

FOR NEW PRODUCTS AND OFFERS