



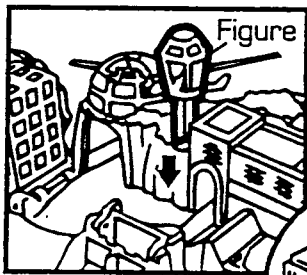
WARNING:
 CHOKING HAZARD - Small parts.
 Not for children under 3 years.

AGES 5 AND UP

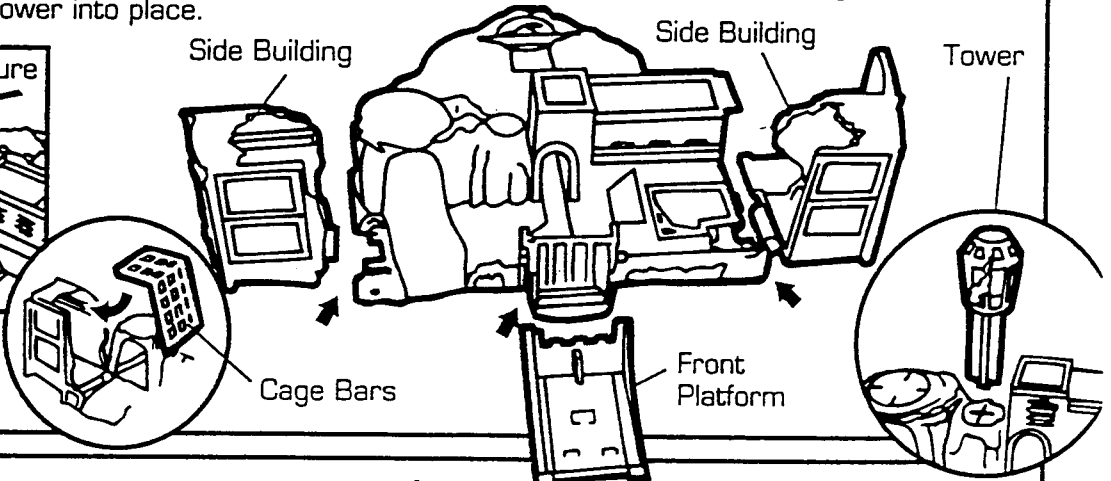


LOST WORLD™ LAB MICRO PLAYSET

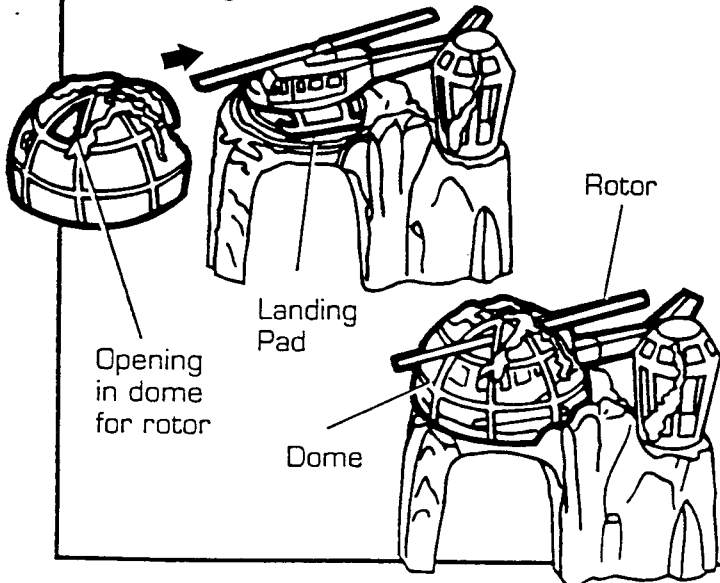
1 Assemble playset as shown. Attach Front Platform onto base. Place Side Buildings onto base as shown. Angle pin into slot one pin at a time. Slide Cage Bars on side building. Insert Observatory Tower into place.



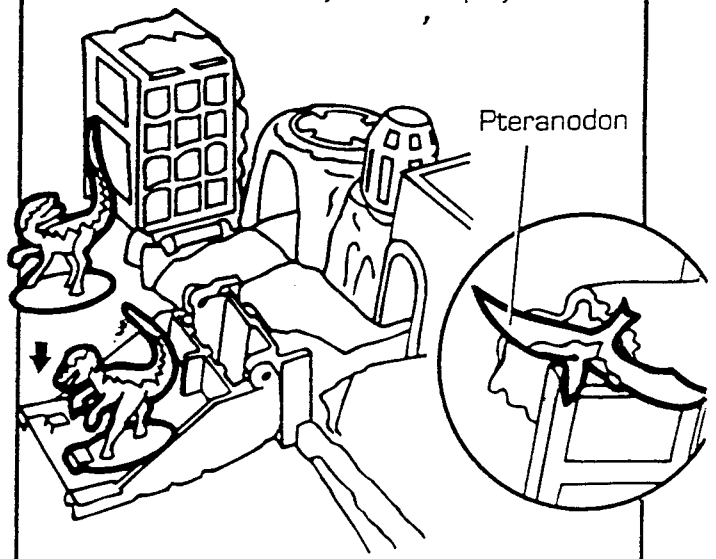
Tower can be raised or lowered. Figure fits inside.



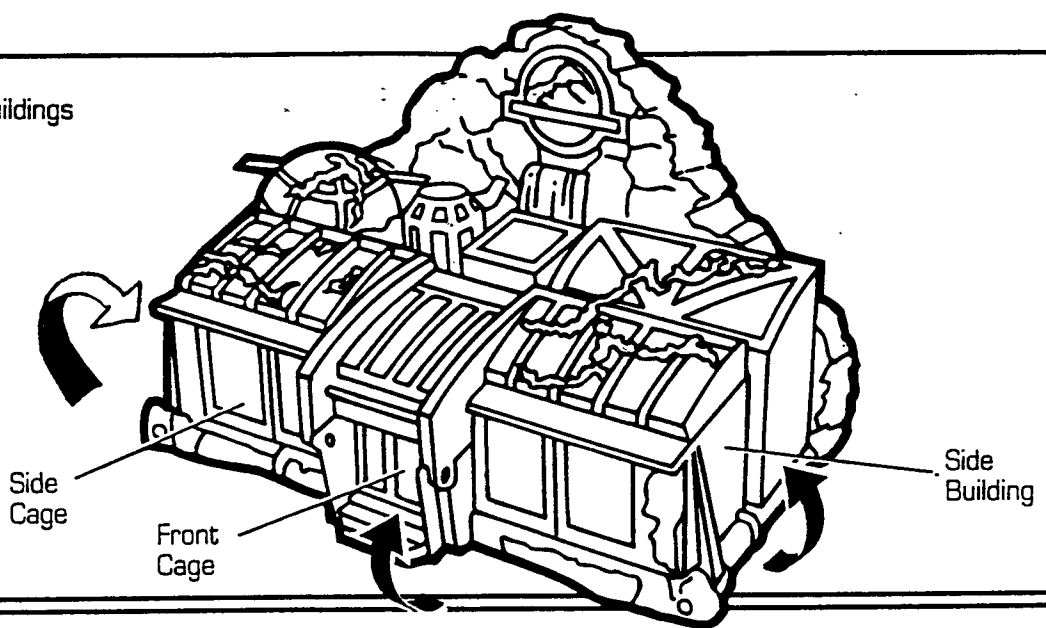
2 Place Helicopter on Landing Pad and place Dome over helicopter with rotor through opening of Dome as shown.



3 Place two Dinosaurs on the front platform. Set Pteranodon anywhere on playset.

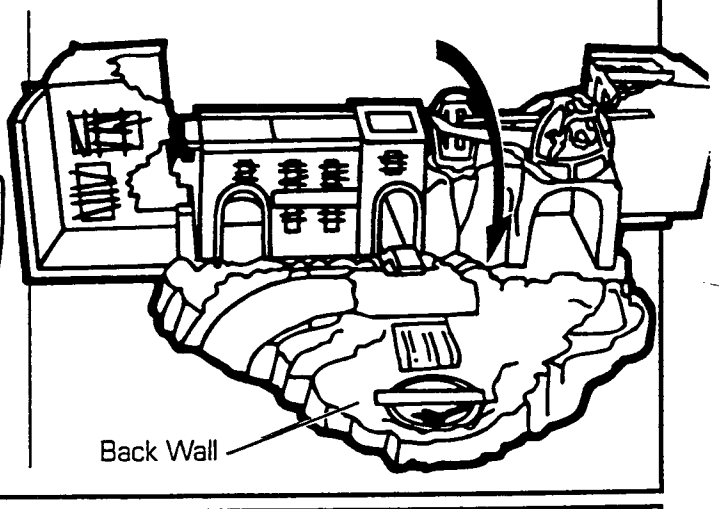
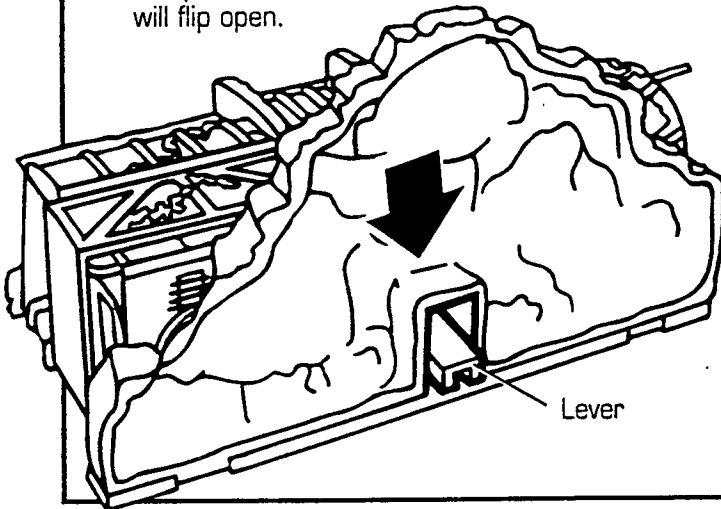


4 Fold three buildings up to create playset.

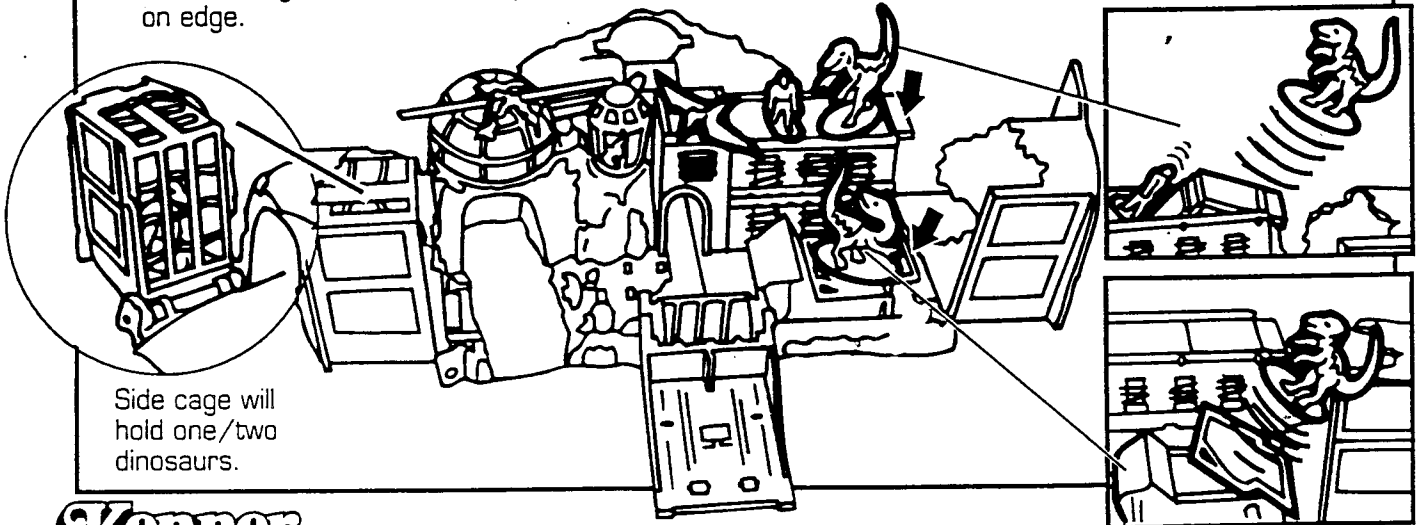


5 To open. Press down on lever and three buildings will flip open.

Lay Back Wall down to create road scene.



6 Place a Dinosaur and figure on roof as shown. Quickly press down on the end of the roof lever to launch dinosaur. Figure will fall to safety. Dinosaur may also be launched from front platform by quickly pressing on edge.



Side cage will hold one/two dinosaurs.

Kenner

©, TM*, & © 1997 HASBRO, INC. Pawtucket, Rhode Island 02862. All Rights Reserved.
 THE LOST WORLD: JURASSIC PARK™ & © 1997 Universal City Studios, Inc. and Amblin Entertainment, Inc.
 All Rights Reserved. Licensed by MCA/Universal Merchandising, Inc.

MADE IN CHINA