



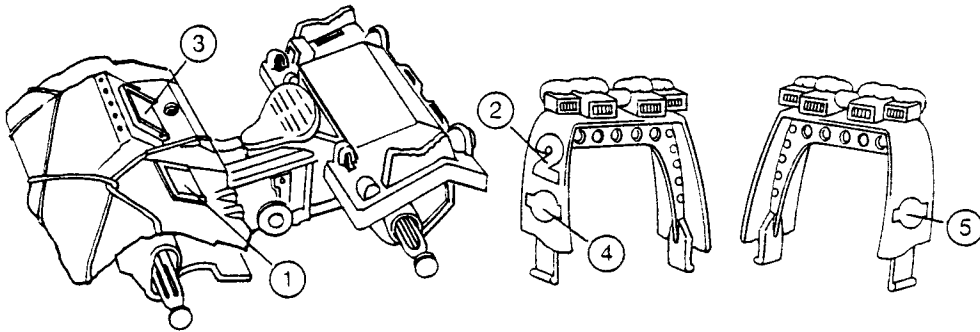
DINO TRACKERS™

JUNGLE RUNNER™

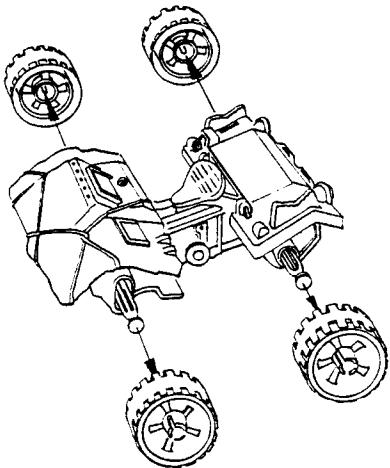
VEHICLE

LABEL APPLICATION

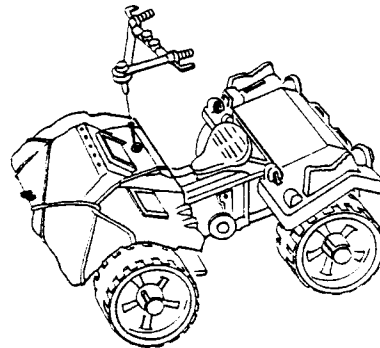
1. Apply labels to unassembled vehicle, using numbers on label sheet and these illustrations.



ASSEMBLY



2. Snap on all four wheels.

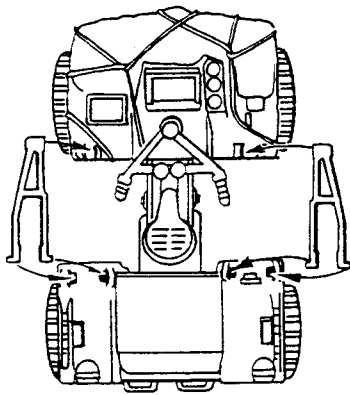


3. Attach handle bars.

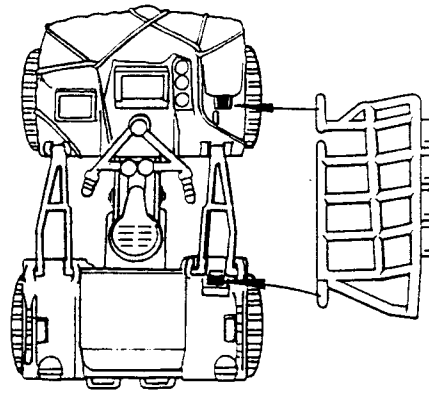


Kenner®

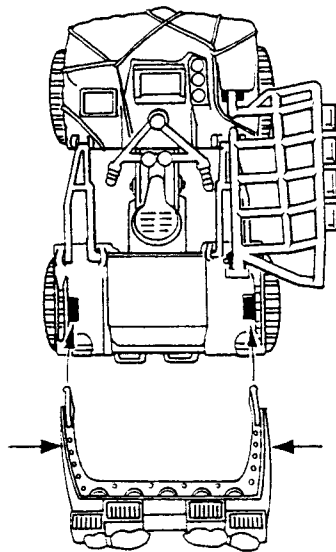
©1994 Kenner, A Division of Tonka Corporation, Cincinnati, Ohio 45202, Jurassic Park™ & ©Universal City Studios, Inc. and Amblin Entertainment, Inc. All Rights Reserved. Licensed by MCA/Universal Merchandising, Inc.



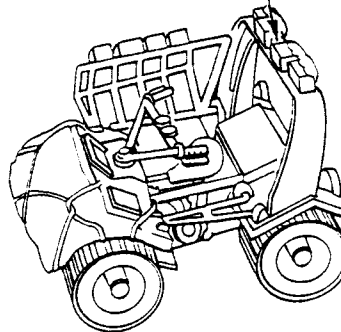
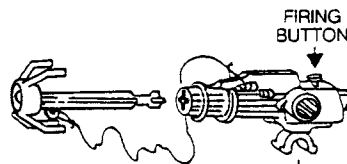
4. Attach safety gates at vehicle's sides in position as shown.



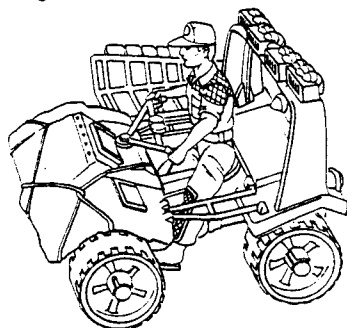
5. Insert post on stretcher into front hole, then back hole, as shown. Stretcher rotates up for "protection" or lays down to transport "wounded" figures.



6. Gently squeeze sides of roll bar to insert. Roll bar comes off for dino damage effect!



7. Clip launcher over center of roll bar. Hold back of launcher steady while loading small end of grapple hook into launcher. Press button on top of launcher to fire grapple hook. String must be loose for hook to fire properly! String may be wrapped around launcher for storage, as shown below.



8. Figure fits on vehicle as shown.

