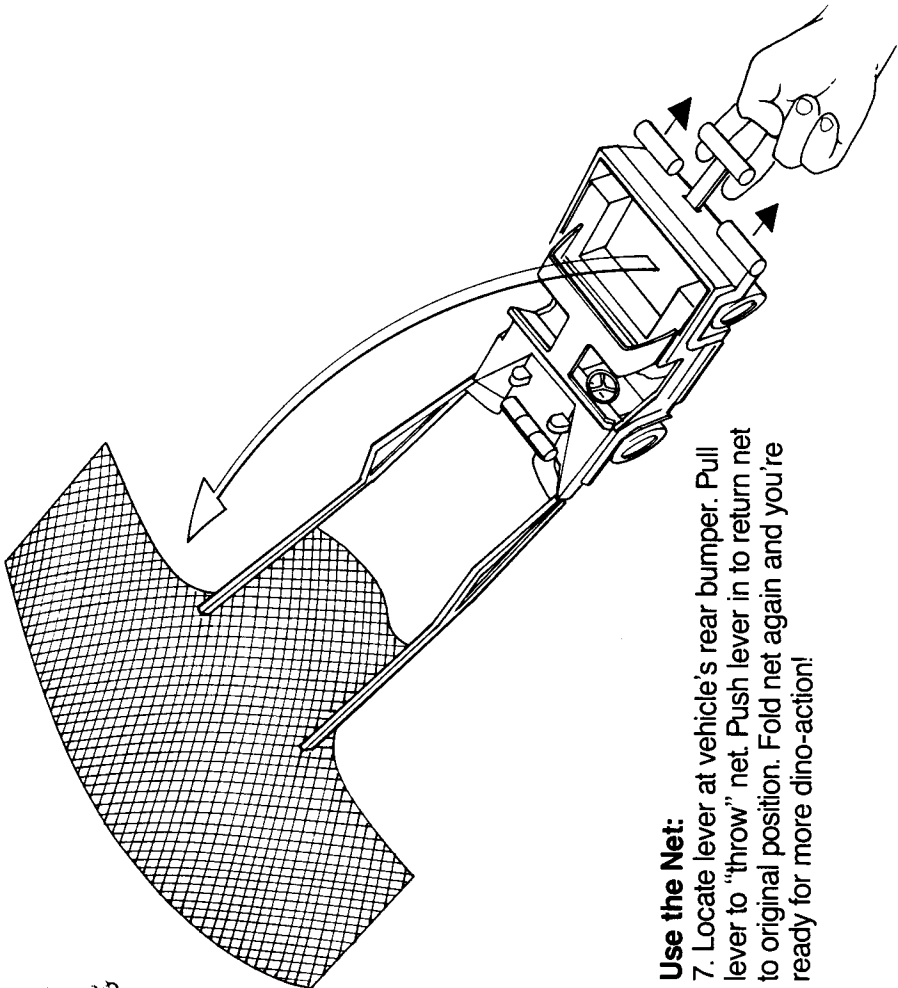


52029

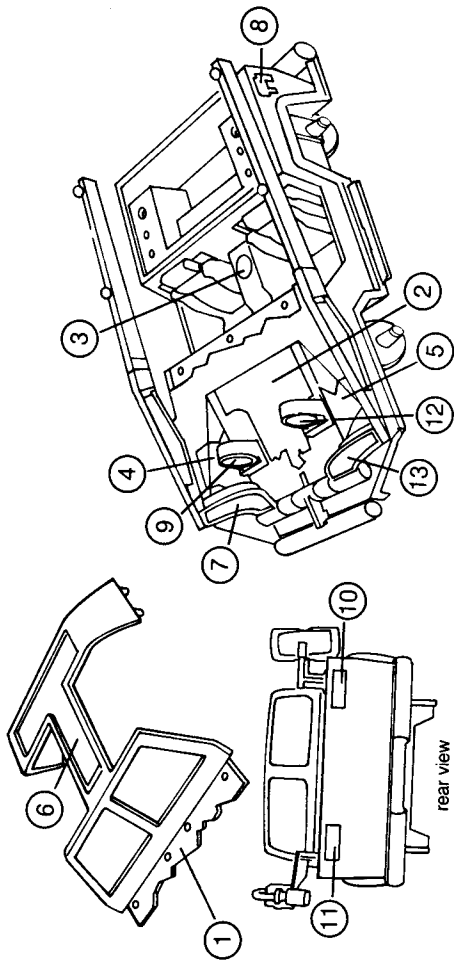


# DINO TRACKERS™ CAPTURE CRUISER™ VEHICLE



### Use the Net:

7. Locate lever at vehicle's rear bumper. Pull lever to "throw" net. Push lever in to return net to original position. Fold net again and you're ready for more dino-action!



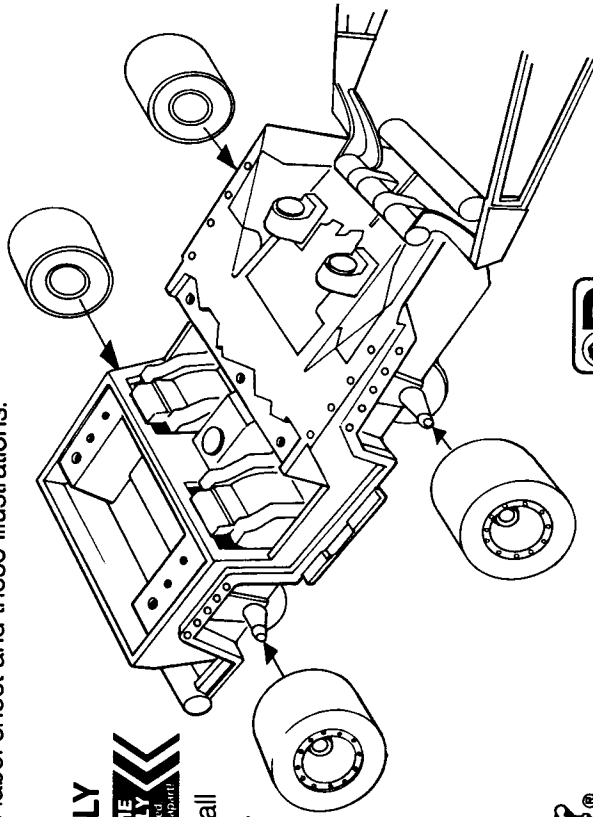
### LABEL APPLICATION

1. Apply labels to unassembled vehicle, using numbers on label sheet and these illustrations.

### ASSEMBLY



2. Snap on all four wheels.



8. Figures fit into vehicle as shown.

## Kenner®

© 1994 Kenner, A Division of Tonka Corporation, Cincinnati, Ohio 45202  
Jurassic Park™ & Universal City Studios, Inc. and Amblin Entertainment, Inc.  
All Rights Reserved. Licensed by MCA/Universal Merchandising, Inc.

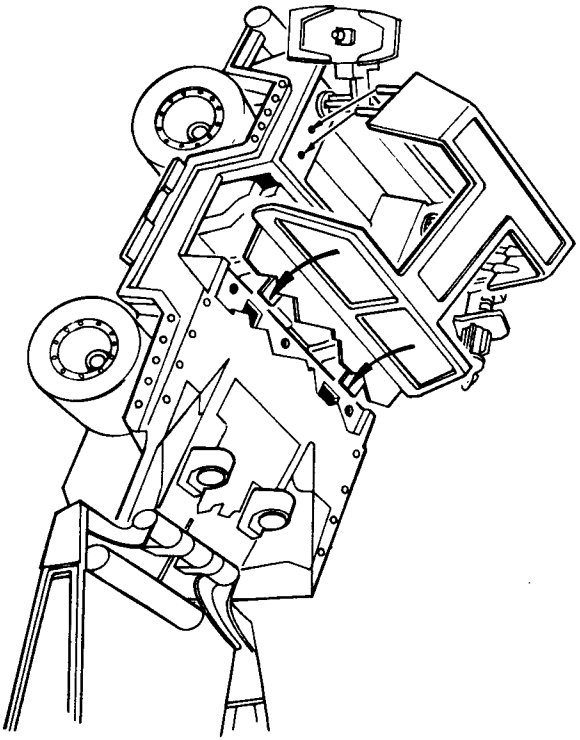
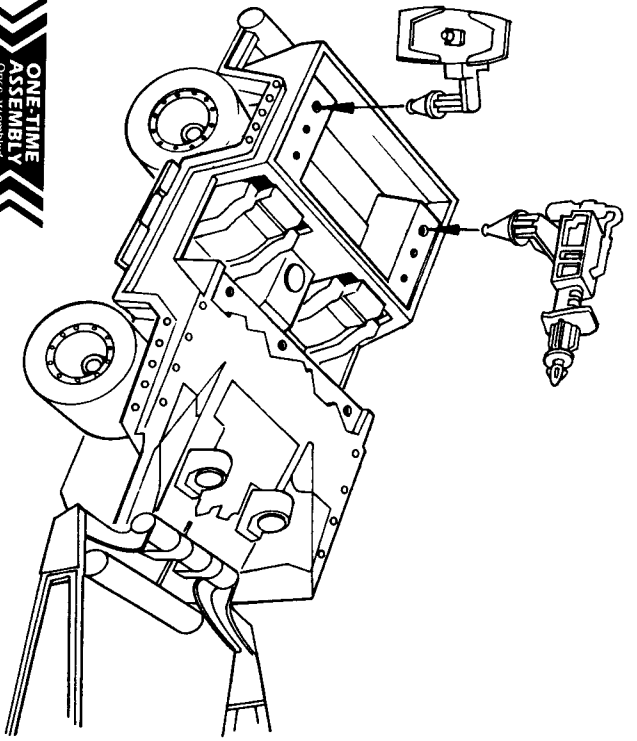


Printed in Mexico

51227901

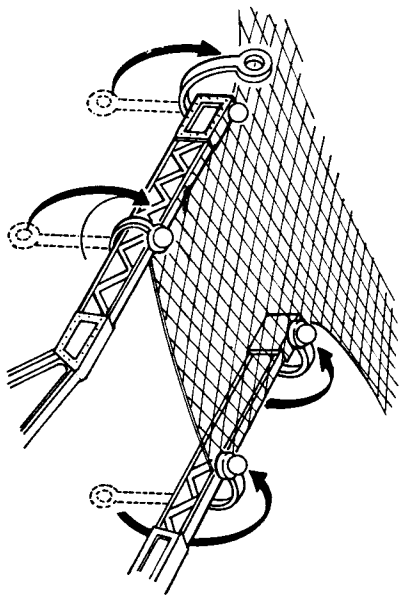
**ONE-TIME ASSEMBLY**  
PERFORM THIS ASSEMBLY ONLY ONCE

3. Snap radar dish into largest hole behind passenger seat. Snap blaster into largest hole behind driver's seat.

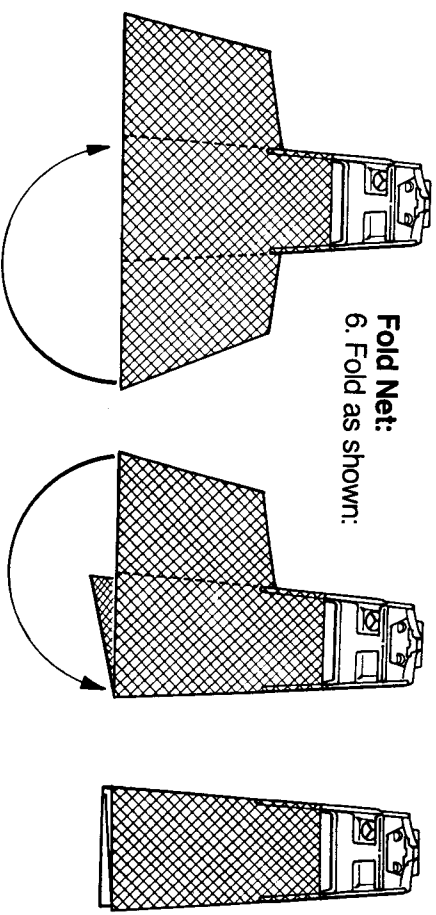


**Windshield/roll bar Assembly:**  
 4. First insert tabs on front of windshield into slots in vehicle, then snap pegs at back of roll bar into holes as shown.

**Net Assembly:**  
 5. Locate balls on top of arms. Lay small end of net over balls, carefully aligning the holes in net over the balls. Place loop ends over balls to secure net, as shown.

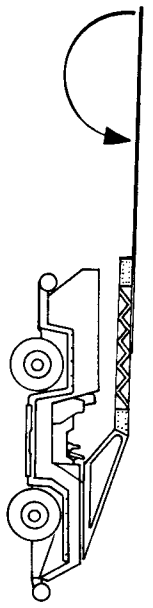


**Fold Net:**  
 6. Fold as shown:



A) Fold the right flap under to the left. B) Fold the left flap under to the right.

C) Fold the bottom half under.



D) Fold the net under again and position underneath the arms.

