

Remove pieces from plastic frames. If you have difficulty, use safety scissors. Discard bags immediately.
DO NOT POINT WEAPON AT EYES OR FACE.

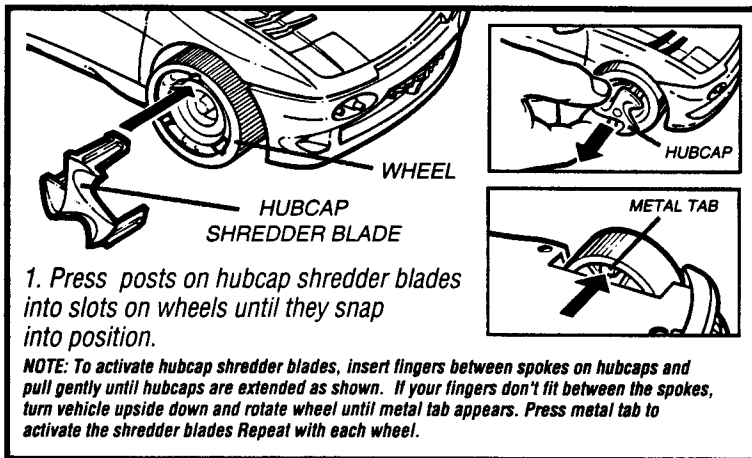
JAMES BOND JR.™

SPORTS CAR INSTRUCTIONS

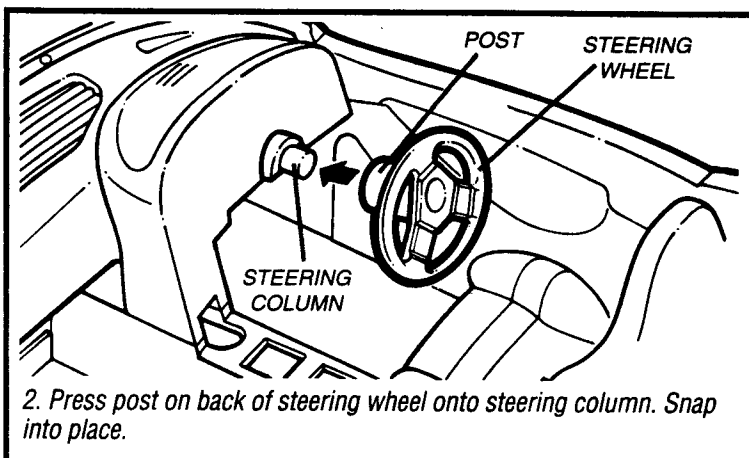
Includes: chassis, steering wheel, 4 hubcaps, 2 missiles, windshield, rear spoiler, red decoder strip, mission card, label sheet and instructions.



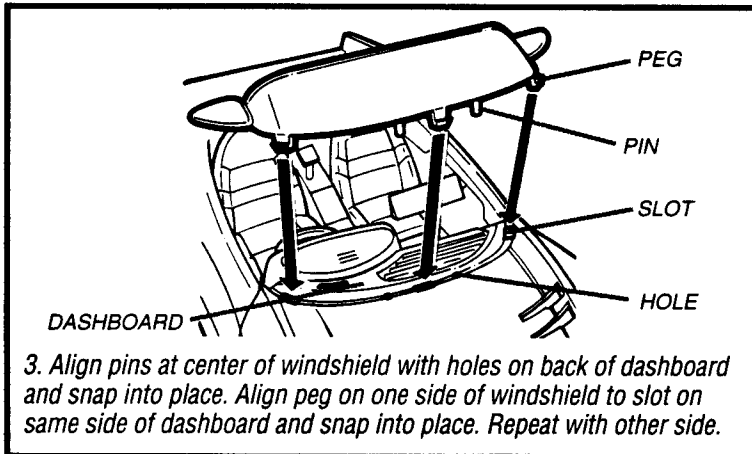
HUBCAP INSTALLATION



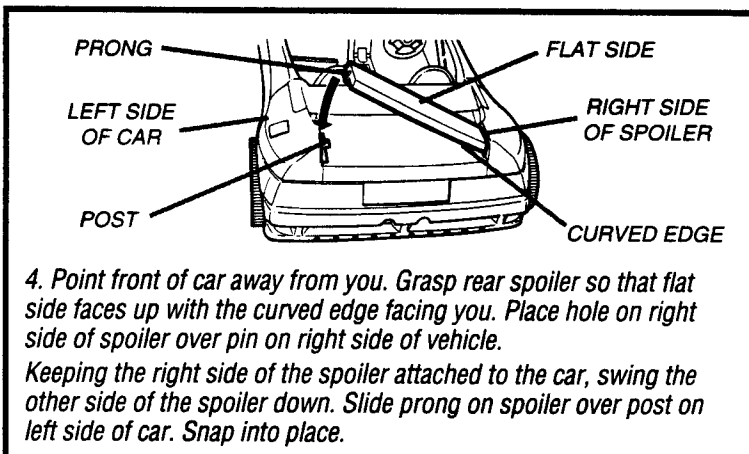
STEERING WHEEL INSTALLATION



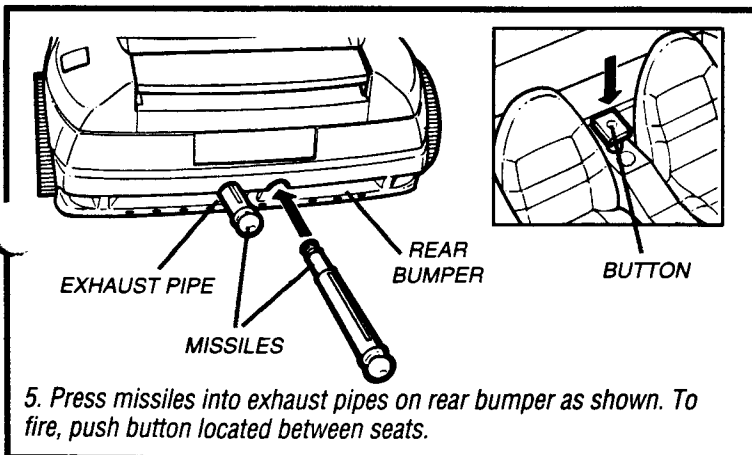
WINDSHIELD INSTALLATION



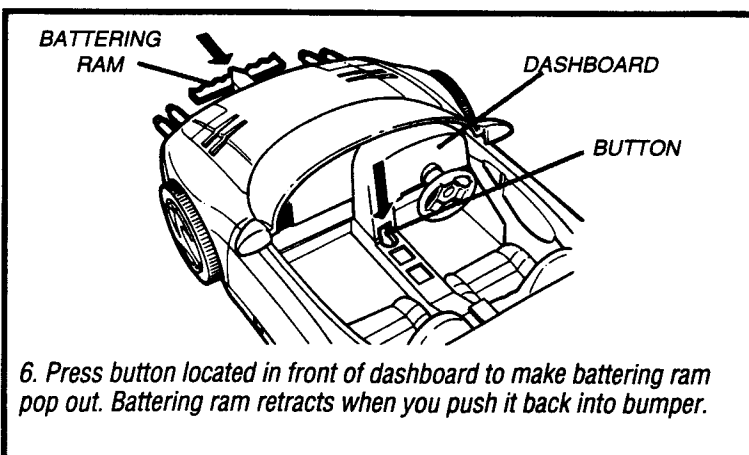
REAR SPOILER INSTALLATION



HOW TO SHOOT EXHAUST PIPE MISSILES

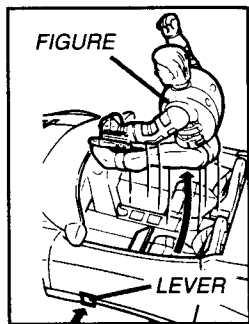
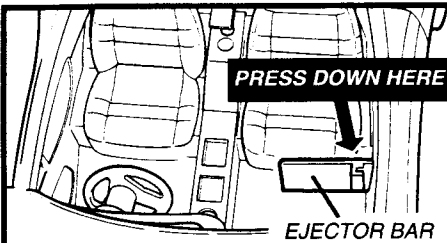


HOW TO DEPLOY POP-OUT BATTERING RAM





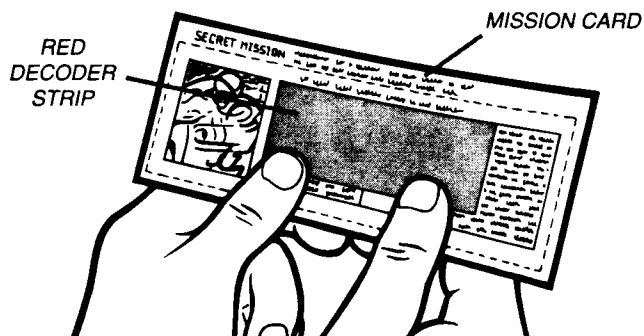
HOW TO OPERATE EJECTOR SEAT



7. Press down on the ejector bar located in front of the passenger seat. **Make sure you press the part of the bar that is closest to the door.** You will hear a "click" when the bar locks into position. Place your favorite James Bond Jr. figure in the passenger seat. Push the lever on the passenger side door to eject him!



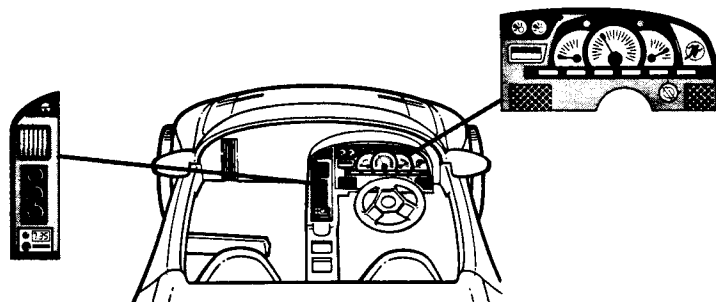
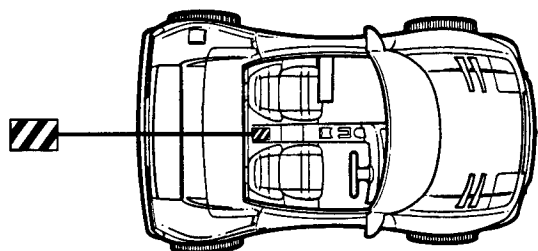
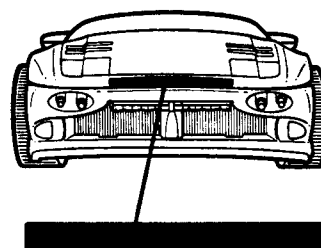
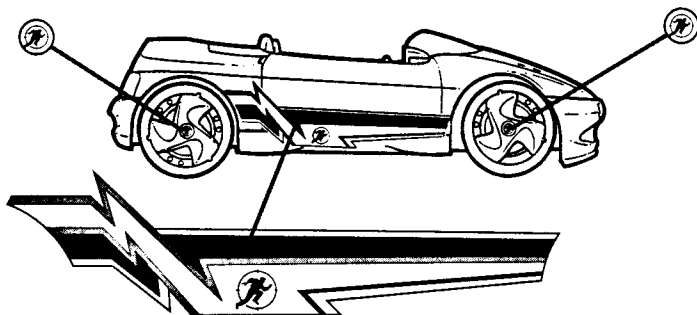
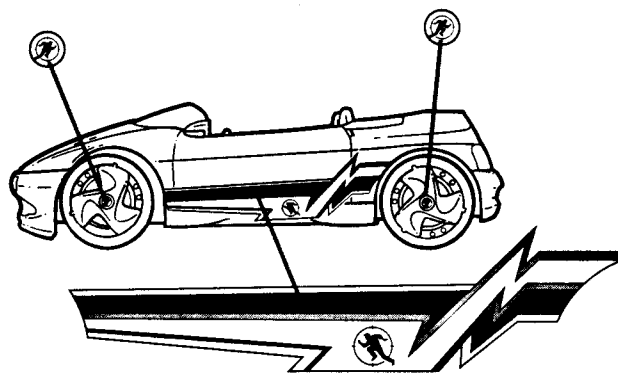
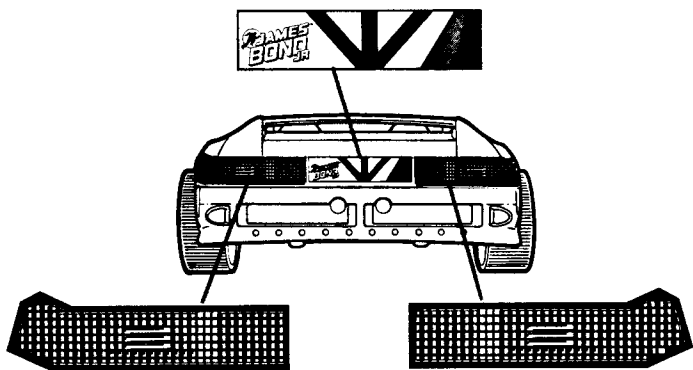
HOW TO USE RED DECODER STRIP



8. Just lay the included red decoder strip over the mission card and see what your next mission will be.



PEEL AND APPLY LABELS AS SHOWN



© Eon Productions, Ltd., MAC B, Inc. 1991. All Rights Reserved.

Distributed by Hasbro, Inc., Pawtucket, RI 02862 USA.

Distributed in the U.K. by Hasbro (U.K.), a division of Hasbro Bradley U.K. Ltd., Caswell Way, Newport, Gwent, NP9 OYH.

® denotes Reg. U.S. Pat. and TM Office.

MADE IN USA. DECODER STRIP MADE IN CHINA.

7796 P/N 42672500