

Remove all pieces from plastic bags and discard bags immediately. DO NOT POINT WEAPON AT EYES OR FACE.

JAMES BOND JR.™

SUBCYCLE INSTRUCTIONS

Includes: chassis, spoiler, torpedo cannon, missile launcher, 1 missile, red decoder strip, mission card, label sheet and instructions.

ASSEMBLY

SPOILER INSTALLATION
1. Snap pegs on spoiler into holes on fender over rear wheel/turbo-prop assembly.

DOUBLE-BARRELED TORPEDO CANNON INSTALLATION
2. Slide slot in torpedo cannon over bar on spoiler as shown.

MISSILE LAUNCHER INSTALLATION
3. Slide slot on missile launcher over bar on opposite side of spoiler as shown.

HOW TO FIRE MISSILE LAUNCHER
4. Insert missile into launcher until it locks into position. To fire, press lever.

HOW TO PUT VEHICLE INTO CYCLE MODE

1. Hold vehicle right side up. Gently pull nose cone/fender assembly at front of sub until it drops into fork. Snap into position.

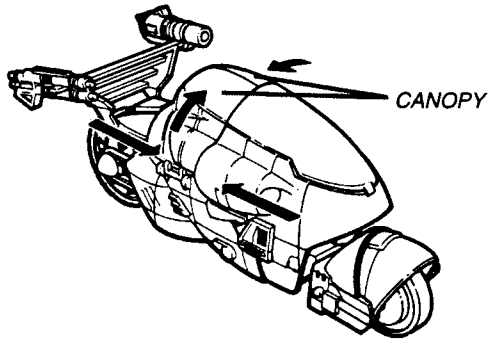
2. Rotate whole fork assembly about 180° until wheel "clicks" into position as shown.

3. Turn vehicle around and swing turbo-props together. Align treads and snap into place as shown.

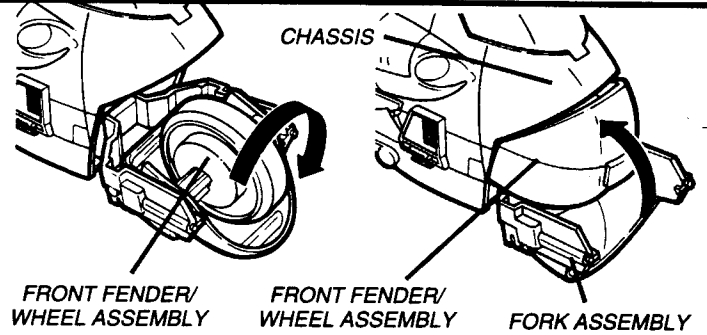
4. Push fins up so that they are flush with the chassis. Slide front and back halves of chassis apart and swing both sides of canopy open to insert figure.



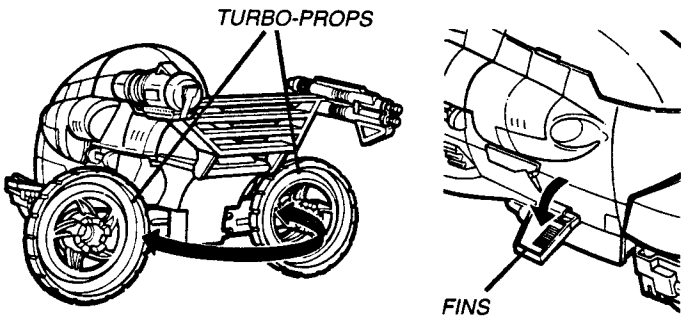
HOW TO PUT VEHICLE INTO SUB MODE



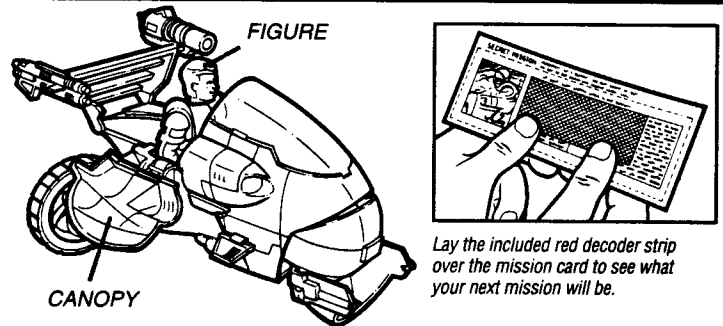
1. Hold vehicle right side up. Close both sides of canopy as shown. Slide front and back of chassis together and snap into place.



2. Rotate fork on front fender/wheel assembly so that wheel is facing upwards. Unsnap front fender/wheel assembly from fork assembly, swing into chassis and lock into place as shown.



3. To make turbo props, turn vehicle around and separate rear wheel assembly. Snap into place as shown. To position fins, swing them down until they lock into place.



HOW TO SEND YOUR FAVORITE JAMES BOND JR.™ FIGURE ON A MISSION

4. When in the Sub or Cycle mode, simply open the canopy and place James Bond Jr. in the seating compartment.



PEEL AND APPLY LABELS AS SHOWN

