



AGES 4 AND UP

WARNING:
CHOKING HAZARD - Small parts.
Not for children under 3 years.

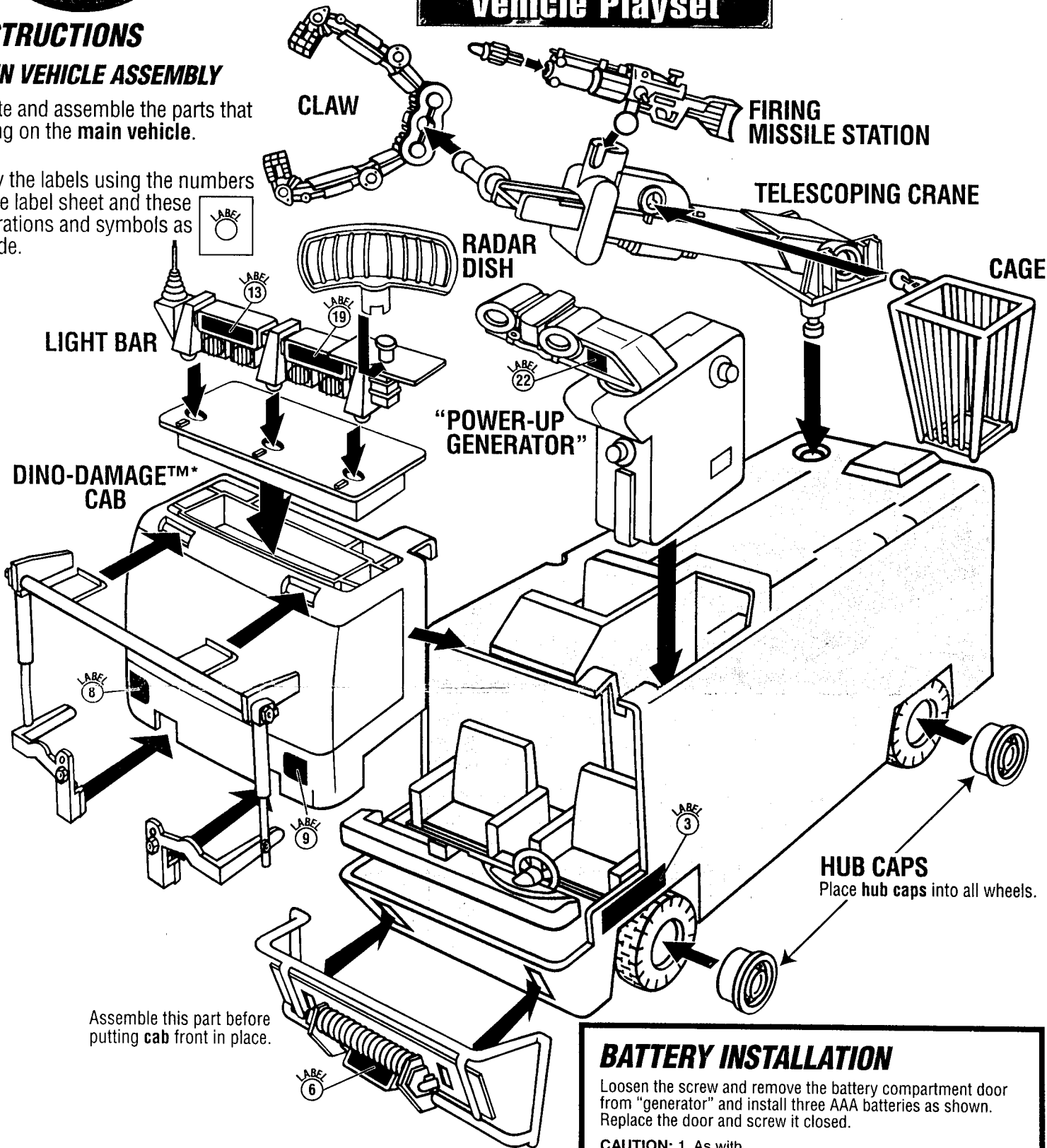
ELECTRONIC
Mobile Command Center
Vehicle Playset

INSTRUCTIONS

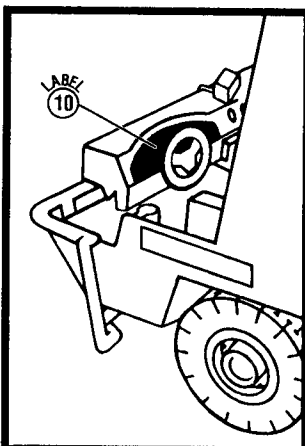
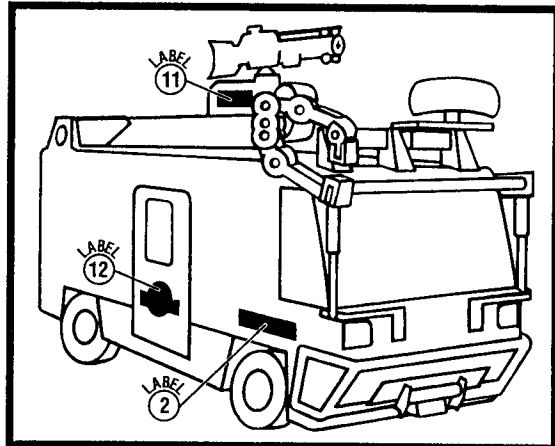
MAIN VEHICLE ASSEMBLY

Locate and assemble the parts that belong on the main vehicle.

Apply the labels using the numbers on the label sheet and these illustrations and symbols as a guide.



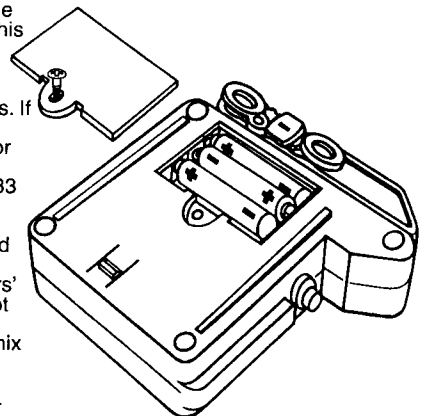
Other side and dashboard label positions



BATTERY INSTALLATION

Loosen the screw and remove the battery compartment door from "generator" and install three AAA batteries as shown. Replace the door and screw it closed.

CAUTION: 1. As with all small batteries, the batteries used with this toy should be kept away from small children who still put things in their mouths. If they are swallowed, promptly see a doctor and have the doctor phone (202) 625-3333 collect. 2. Make sure the batteries are inserted correctly and follow the toy and battery manufacturers' instructions. 3. Do not mix old and new batteries. 4. Do not mix alkaline, standard (carbon-zinc) or rechargeable (nickel-cadmium) batteries.



Kenner®

© * & © 1998 HASBRO, INC.
Pawtucket, Rhode Island 02862.
All Rights Reserved.

**MADE IN MEXICO, OF US, MEXICAN,
AND CHINESE COMPONENTS**

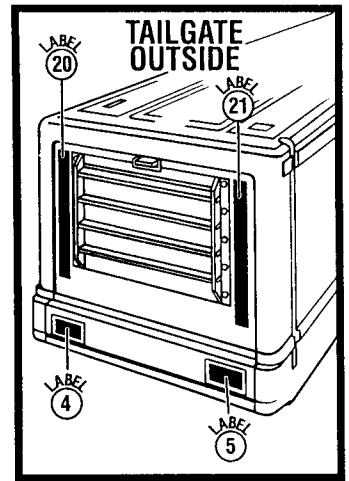
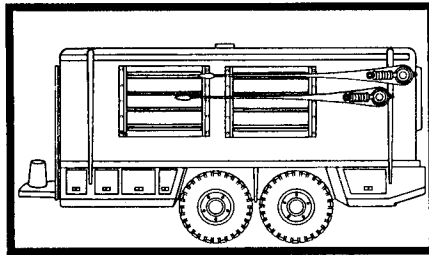
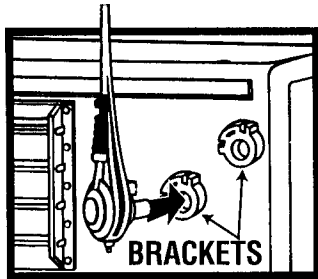
TRAILER/LAB ASSEMBLY

Locate and assemble the parts that belong on the trailer/lab.

Apply the labels using the numbers on the label sheet and these illustrations and symbols as a guide.

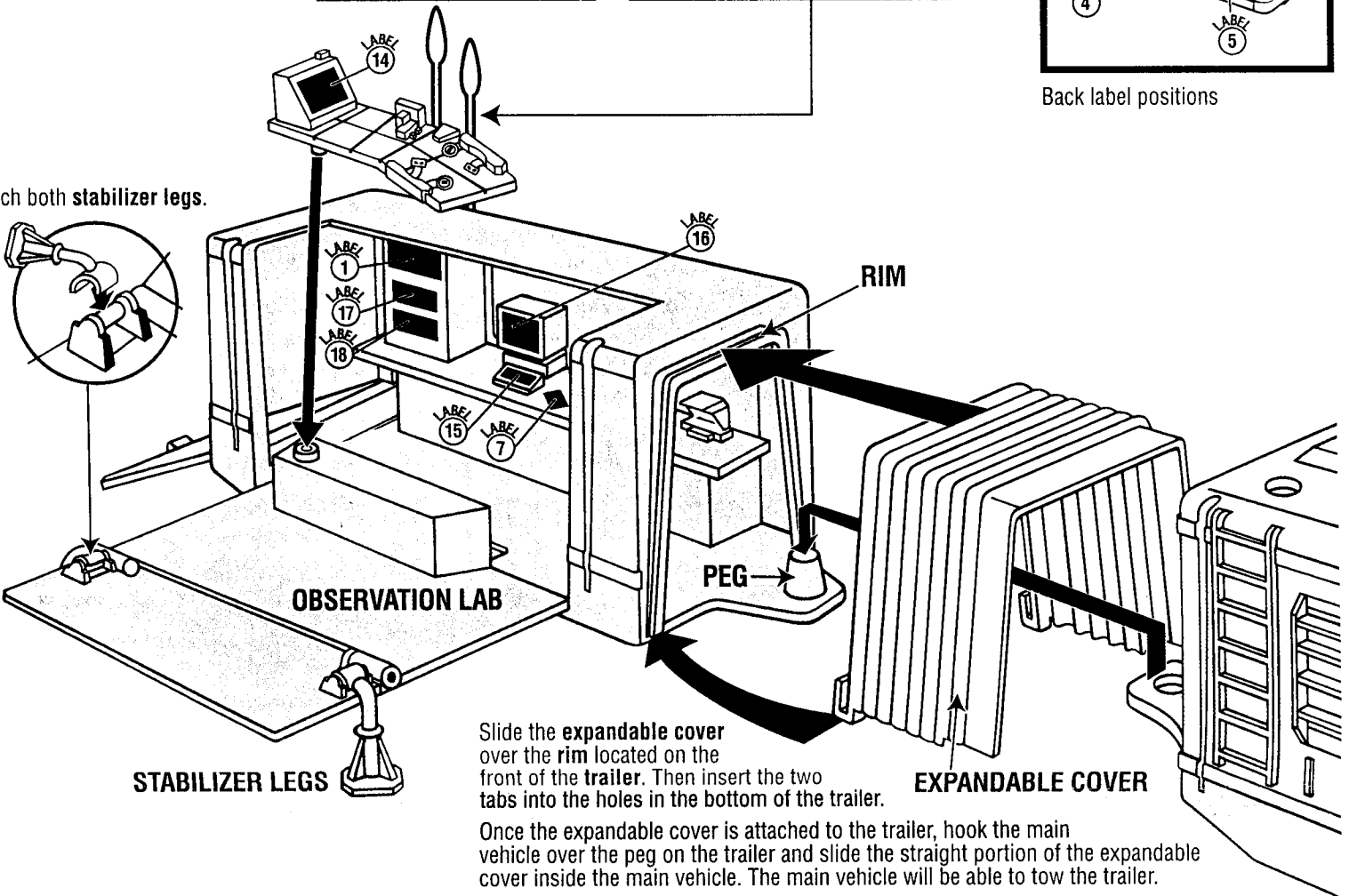


Insert **antennas** into the brackets on the side of the trailer. Once inserted, the antennas can be positioned up or down.



Back label positions

Attach both **stabilizer legs**.

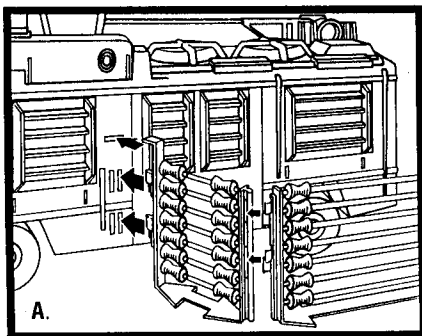


Slide the **expandable cover** over the **rim** located on the front of the trailer. Then insert the two tabs into the holes in the bottom of the trailer.

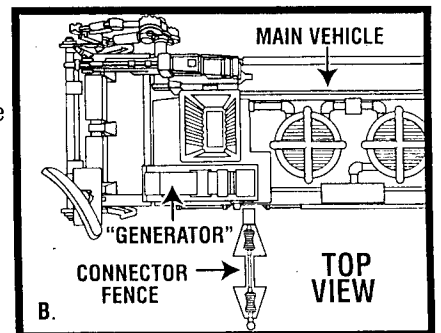
Once the expandable cover is attached to the trailer, hook the main vehicle over the **peg** on the trailer and slide the straight portion of the expandable cover inside the main vehicle. The main vehicle will be able to tow the trailer.

FENCE ASSEMBLY

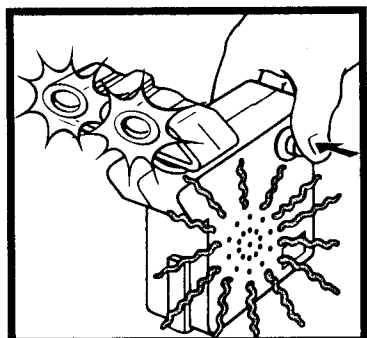
A. Attach the short **connector fence** to the vehicle by inserting the tabs into the slots as shown. Attach the rest of the fence pieces together.



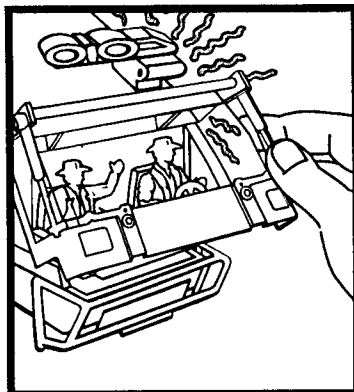
B. The connector fence should be positioned straight out from the side of the **main vehicle** to be in the "off" position when the "generator" is in place inside the main vehicle.



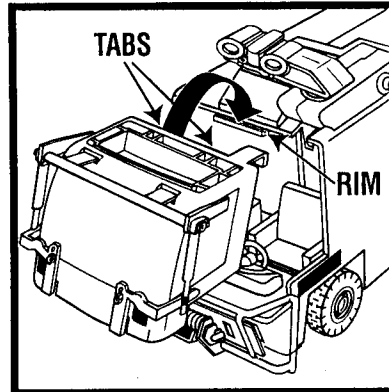
SOUND FEATURES



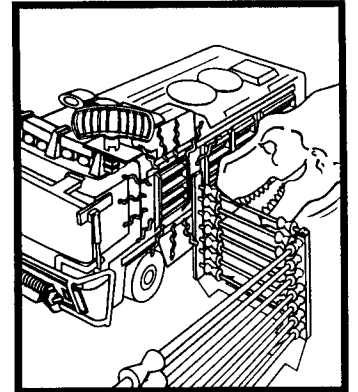
Press the button on the side of the "generator" and the lights go on and a generator running sound is heard.



With the "generator" in place in the **main vehicle**, pull the front cab off from the bottom and a destruction sound will be heard.



Replace by laying top edge on **rim** and sliding small **tabs** under top of vehicle as you lower cab down.



With the "generator" in place in the **main vehicle** and the **connector fence** positioned straight out of the side of the main vehicle, move the connector fence to one side or the other to activate the alarm sound and flashing lights.