

CONSUMER AFFAIRS
NEW PRODUCT FACT SHEET

DATE: 11-28-94

QN DATE: 11/07/94

PRODUCT NAME: KID DIMENSION - BARNEY ELECTRONIC TALKING
BASKETBALL GAME

PRODUCT: 29951

AGE CODE: 2 YRS & UP
(UNDER 3 NO SMALL PARTS)

TEAM LEADER: CONNIE REGO

Q.E.: LISA OUELLETTE

RETAIL PRICE: N/A

NUMBER IS ASSORTMENT: N/A

COUNTRY OF ORIGIN: CHINA

VENDOR CODE: C-###LETTER (I.E. C-060A)

DATE CODE: 4 DIGITS (INSIDE BATTERY BOX)

CONTENTS:

WASHABILITY: N/A

CONTAINS: - 4" BASKETBALL
- BACKBOARD WITH RIM
- WEBBED STRAPS
- PLASTIC HINGES
- INSTRUCTIONS

ASSEMBLY: SEE ATTACHED INSTRUCTIONS

REQUIRES: - 3 "AA" BATTERIES
- PHILLIPS SCREWDRIVER

TO PLAY: SEE ATTACHED INSTRUCTIONS

- FEATURES: - BARNEY RANDOMLY SAYS:
- "SUPER-DEE-DUPER"
 - "STU-U-U-PENDOUS"
 - IT'S HEIGHT ADJUSTABLE AND EASILY ATTACHES TO DOOR
 - OVERSIZED RIM FOR EASY PLAY
 - 0-4 SCORING DIAL
 - ON/OFF SWITCH
 - FOLD-DOWN RIM WITHSTAND LOTS OF SLAM/DUNK AND MAKES STORAGE EASY

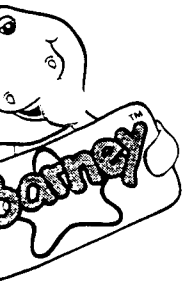
NOTES: - PRODUCT AND COLORS MAY VARY

- POTENTIAL PROBLEMS:
- PHRASES UNCLEAR
 - LEVER INSIDE BASKET FALL OFF (FITS BACK IN)

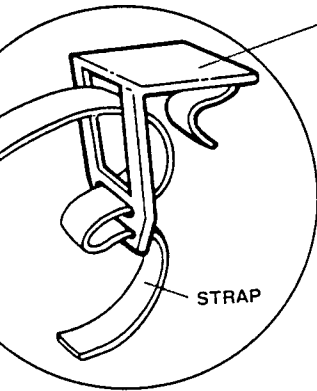


Electronic Talking Basketball Game

PLEASE KEEP THESE INSTRUCTIONS FOR FUTURE REFERENCE



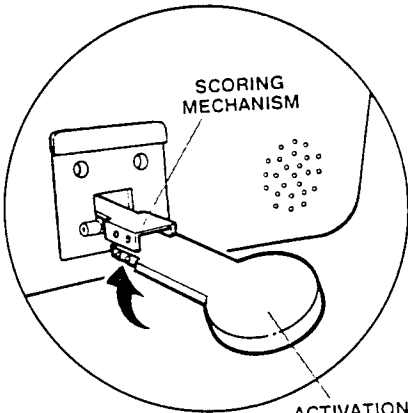
ASSEMBLY What's needed? 3 "AA" batteries and Phillips® screwdriver (not included).



DOOR HOOK

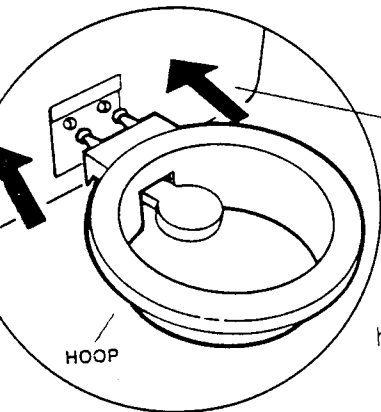
1. Attach strap to door hook as shown.

Attach activation lever to scoring mechanism by inserting it at an angle, first one side, then the other as shown. Be sure tabs on activation lever snap into holes in mechanism.



SCORING MECHANISM

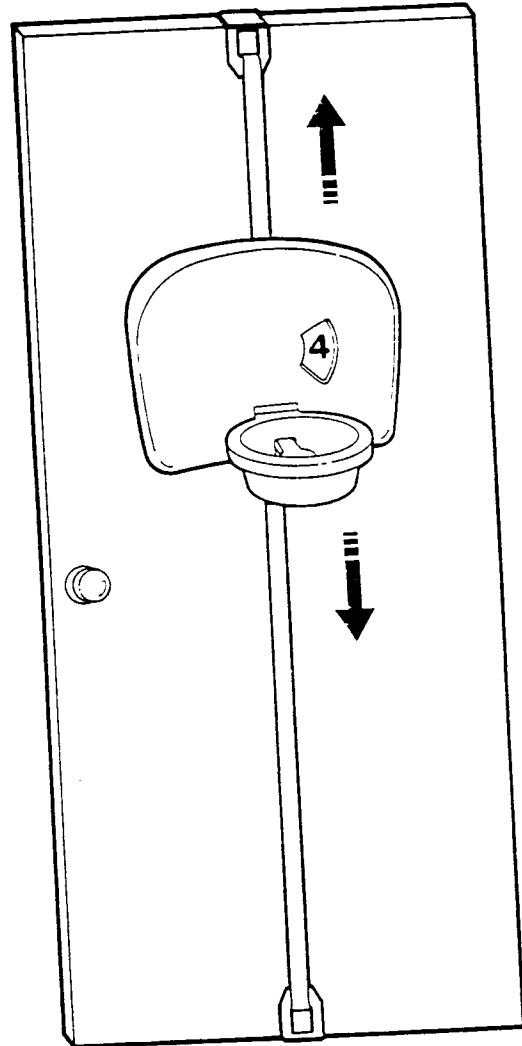
ACTIVATION LEVER



BACKBOARD

3. Attach basketball hoop to backboard by inserting the 2 pegs at the back of the hoop into the holes in the backboard.

TO PLAY:



1. Place assembled backboard on any door in house as shown.
2. Adjust backboard to desired height depending on level of child's skill.
3. Turn switch ON.
4. Set scorer to 0. Note: scorer will advance with each completed basket.
5. Shoot a basket. If the ball goes into the basket, Barney says either "Super-dee-duper" or "Stu-u-u-pendous".
6. When finished playing, turn unit OFF.

To insert batteries:

1. Loosen screw on battery compartment behind backboard, then slide it out and remove cover.
2. Insert 3 "AA" batteries into the battery box. Replace cover. Retighten screw.

CAUTION: TO AVOID BATTERY LEAKAGE

1. Be sure to insert the batteries correctly and always follow the toy and battery manufacturers' instructions.
2. Never mix old batteries and new batteries, or standard (carbon-zinc) with alkaline batteries.
3. Always remove exhausted or dead batteries from the product.
4. Remove batteries if product is stored for a long period of time.