

AGES 8+  
71999

# LAZER TAG<sup>™</sup>

## TEAM OPS<sup>™</sup>

## 2 Pack Accessory Kit

1 VIRTUAL SCOPE<sup>™</sup>\* and 1 THUNDER PACK<sup>™</sup>\*

Thank you for purchasing the LAZER TAG 2 Pack Accessory Kit!

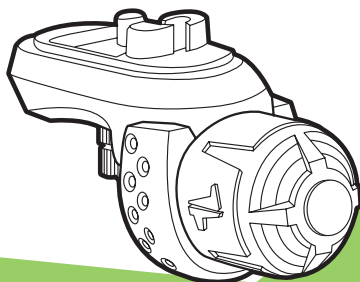
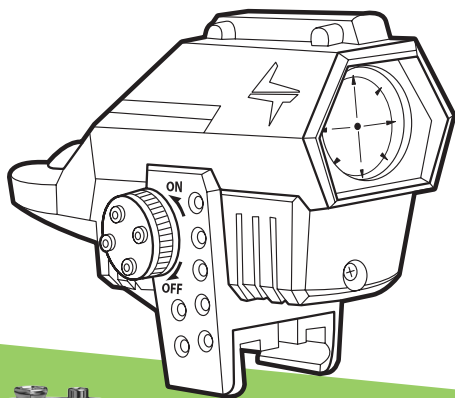
Step into LAZER TAG – Where Video Game Action Comes to Life!<sup>™</sup>\*

Use the 2 Pack Accessory Kit to complete the ultimate LAZER TAG system. Attach the THUNDER PACK to the base of your Tagger<sup>™</sup>\* Unit and feel the action!

Featuring 3 Types of Vibration Feedback: Pulse, Long Pulse and Rapid Pulse, the THUNDER PACK makes it known when you launch a tag [Pulse], get tagged by an opponent [Long Pulse], or launch multiple tags in rapid succession, (i.e. Mega-Tag) [Rapid Pulse].

Please be sure to read and follow all instructions carefully before using this product.

NOTE: Both the VIRTUAL SCOPE and THUNDER PACK work with any LAZER TAG TAGGER.

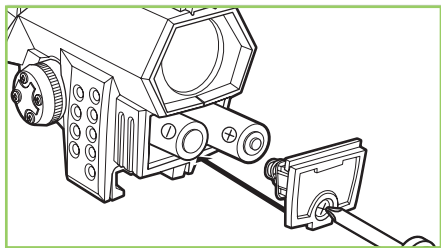


TIGER recommends  
ENERGIZER batteries for  
optimum performance.

VIRTUAL SCOPE Requires 2 x 1.5V "AAA" or LR03  
size alkaline batteries (not included). Phillips/cross  
head screwdriver (not included) needed to  
insert batteries.

## TO INSERT BATTERIES

Using a Phillips/cross head screwdriver, loosen the screw in the battery compartment cover (screw stays attached to cover). Remove cover. Insert 2 x 1.5V “AAA” or LR03 size alkaline batteries. Replace cover and tighten screw.



### CAUTION:

1. As with all small batteries, the batteries used with this toy should be kept away from small children who still put things in their mouths. If they are swallowed, promptly see a doctor and, in the U.S., have the doctor phone (202) 625-3333 collect, or, in Canada, have the doctor call your provincial Poison Control Centre.
2. Make sure the batteries are inserted correctly and always follow the toy and battery manufacturers' instructions;
3. Do not mix old batteries and new batteries or alkaline, standard (carbon zinc) or rechargeable (nickel-cadmium) batteries.

## IMPORTANT: BATTERY INFORMATION

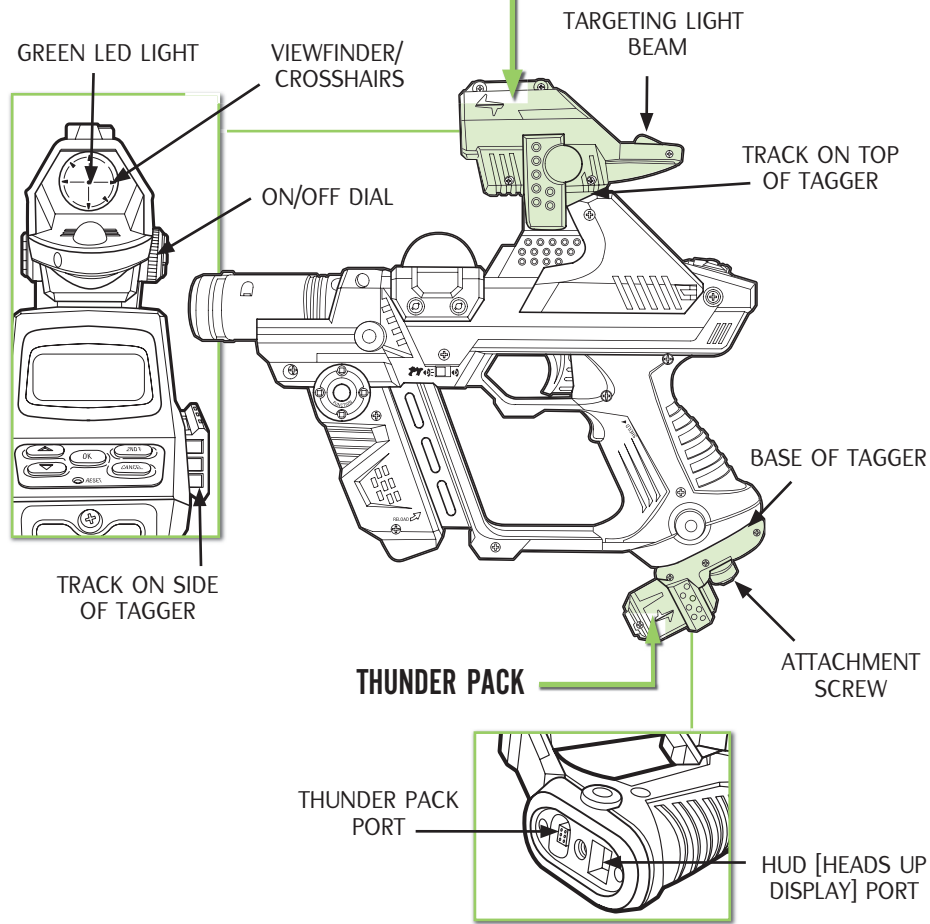
Please retain this information for future reference.  
Batteries should be replaced by an adult.



### CAUTION:

1. Always follow the instructions carefully. Use only batteries specified and be sure to insert item correctly by matching the + and – polarity markings.
2. Do not mix old batteries and new batteries or standard (carbon-zinc) with alkaline batteries.
3. Remove exhausted or dead batteries from the product.
4. Remove batteries if product is not to be played with for a long time.
5. Do not short circuit the supply terminals.
6. Should this product cause, or be affected by, local electrical interference, move it away from other electrical equipment. Reset (switching off and back on again or removing and re-inserting batteries) if necessary.
7. **RECHARGEABLE BATTERIES:** Do not mix these with any other types of battery. Always remove from the product before recharging. Recharge batteries under adult supervision. **DO NOT RECHARGE OTHER TYPES OF BATTERIES.**
8. As with all small items, these batteries should be kept away from children. If swallowed, seek medical attention immediately.

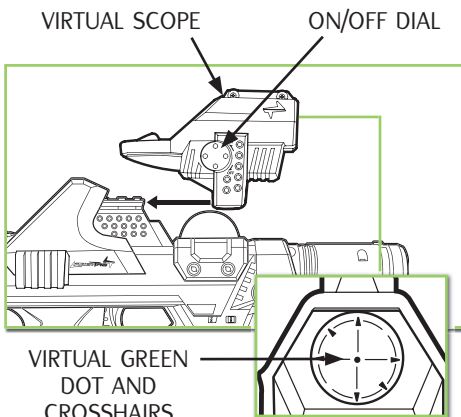
## VIRTUAL SCOPE



## TO ATTACH AND USE THE VIRTUAL SCOPE WITH ANY LAZER TAG TAGGER

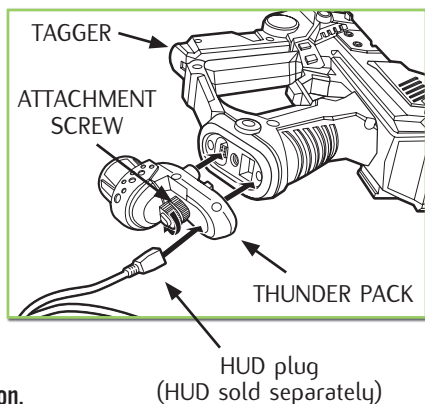
1. Slide **VIRTUAL SCOPE** fully onto the track located on the top or on the side of **TAGGER**.
2. Rotate **ON/OFF DIAL** counterclockwise, to the "On" position.
3. Green LED Light will project a light beam onto the center of the crosshairs.
4. Use the virtual green dot and crosshairs to line up your target.
5. To remove the **VIRTUAL SCOPE**, simply slide it off the **TAGGER**.

**NOTE:** Please remember to turn the **ON/OFF** switch to the **OFF** position when you are not playing **LAZER TAG**, in order to conserve battery life.



## TO ATTACH AND USE THE THUNDER PACK WITH ANY LAZER TAG TAGGER

1. Align **THUNDER PACK** accessory to base of **TAGGER** as shown.
2. Turn **THUNDER PACK** Attachment Screw clockwise until it snugly fits the **TAGGER**.
3. **THUNDER PACK** will react to your gameplay with 3 types of Vibration Feedback: Pulse, Long Pulse and Rapid Pulse.
  - You will feel a Pulse when you launch a single tag.
  - You will feel a Long Pulse if you have gotten tagged by your opponent.
  - You will feel a Rapid Pulse when you launch a Mega-Tag or launch multiple tags in succession.
4. Optional: If you wish to use the HUD [Heads Up Display] Unit at the same time, simply plug it into the HUD Port through the opening in the **THUNDER PACK**. (HUD [Heads Up Display] sold separately with Deluxe 2 Player System only.)
5. To remove **THUNDER PACK**, simply turn Attachment Screw counterclockwise until it comes loose and separates from the **TAGGER**.



### FCC STATEMENT

Changes or modifications to this unit not expressly approved by the party responsible for compliance could void the user's authority to operate the equipment.

NOTE: This equipment has been tested and found to comply with the limits for a Class B digital device, pursuant to Part 15 of the FCC Rules. These limits are designed to provide reasonable protection against harmful interference in a residential installation. This equipment generates, uses and can radiate radio frequency energy and, if not installed and used in accordance with the instructions, may cause harmful interference to radio communications. However, there is no guarantee that interference will not occur in a particular installation. If this equipment does cause interference to radio or television reception, which can be determined by turning the equipment off and on, the user is encouraged to try to correct the interference by one or more of the following measures:

- Reorient or relocate the receiving antenna.
- Increase the separation between the equipment and receiver.
- Consult the dealer or an experienced radio/TV technician for help.

Product and colors may vary.

Lazer Tag is a trademark of Shoot the Moon Products and used with permission.

Energizer, Energizer MAX and other marks are trademarks of Eveready Battery Company, Inc.

®\* and/or TM\* & © 2004 Hasbro. All Rights Reserved.  
® denotes Reg. U.S. Pat. & TM Office.  
71999 P/N 6425280000



**TIGER**  
ELECTRONICS®\*  
Where Technology Comes to Play!™\*

CHECK OUT ONLINE GAMES AND TIPS AT  
[www.LAZERTAG.com](http://www.LAZERTAG.com)

Questions? Call 1-800-327-8264