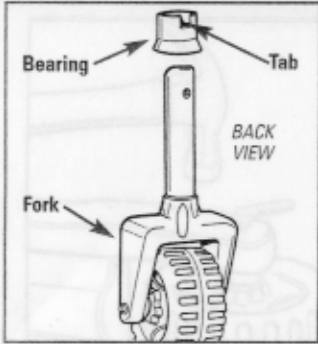
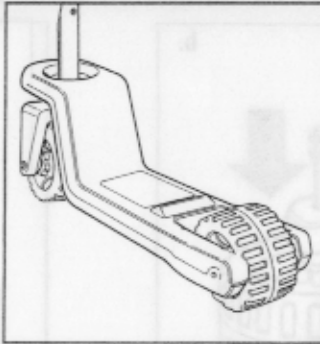


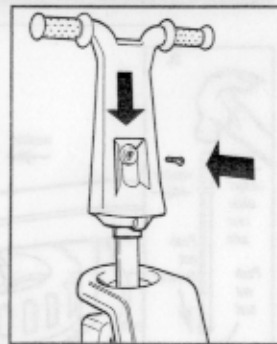
## HANDLEBAR ASSEMBLY



**P**lace the bearing onto the fork, aligning the notches in bearing with fittings on fork. The tab on the bearing should face the back as shown.

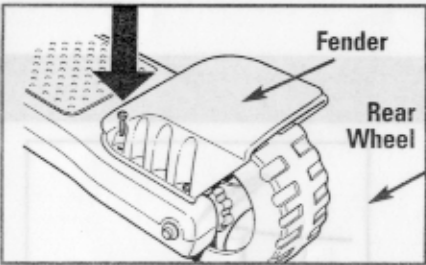


**S**lide fork through large opening in the front of scooter body as shown.



**S**lide handlebars onto fork, align the holes and attach with the 2 1/16" screw as shown.

## FENDER ASSEMBLY



**P**lace fender over rear wheel as shown. Insert each 3/4" screw halfway in place, then go back and tighten all 4 screws firmly into position.



Ages 3 & Up  
2595

# Li'L Lightning Scooter™

PLEASE KEEP THIS GUIDE AND ALL LITERATURE FOR FUTURE REFERENCE

WEIGHT LIMIT: 60 LBS. (27 KGS.)

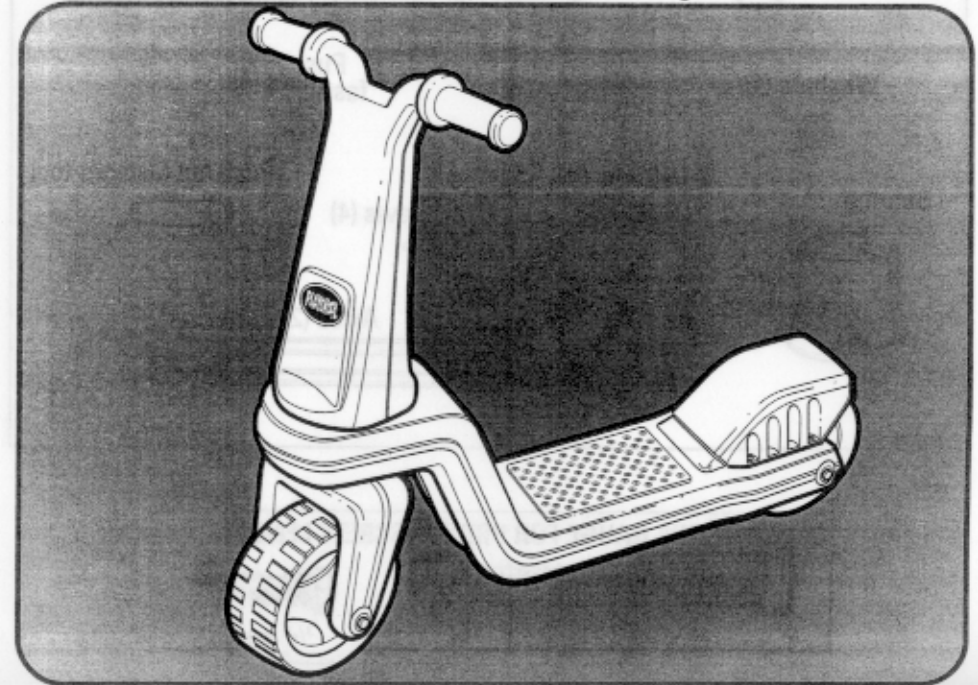
**WARNING:** Adult supervision required. This ride-on toy is not to be used near swimming pools, on or near hills, roadways, or stairways. Shoes must be worn at all times when riding this toy. Designed for only one rider at a time. Always wear protective equipment including helmet, wrist guards, knee pads and elbow pads (not included).

ADULT ASSEMBLY REQUIRED

Phillips screwdriver and hammer needed for assembly (not included).

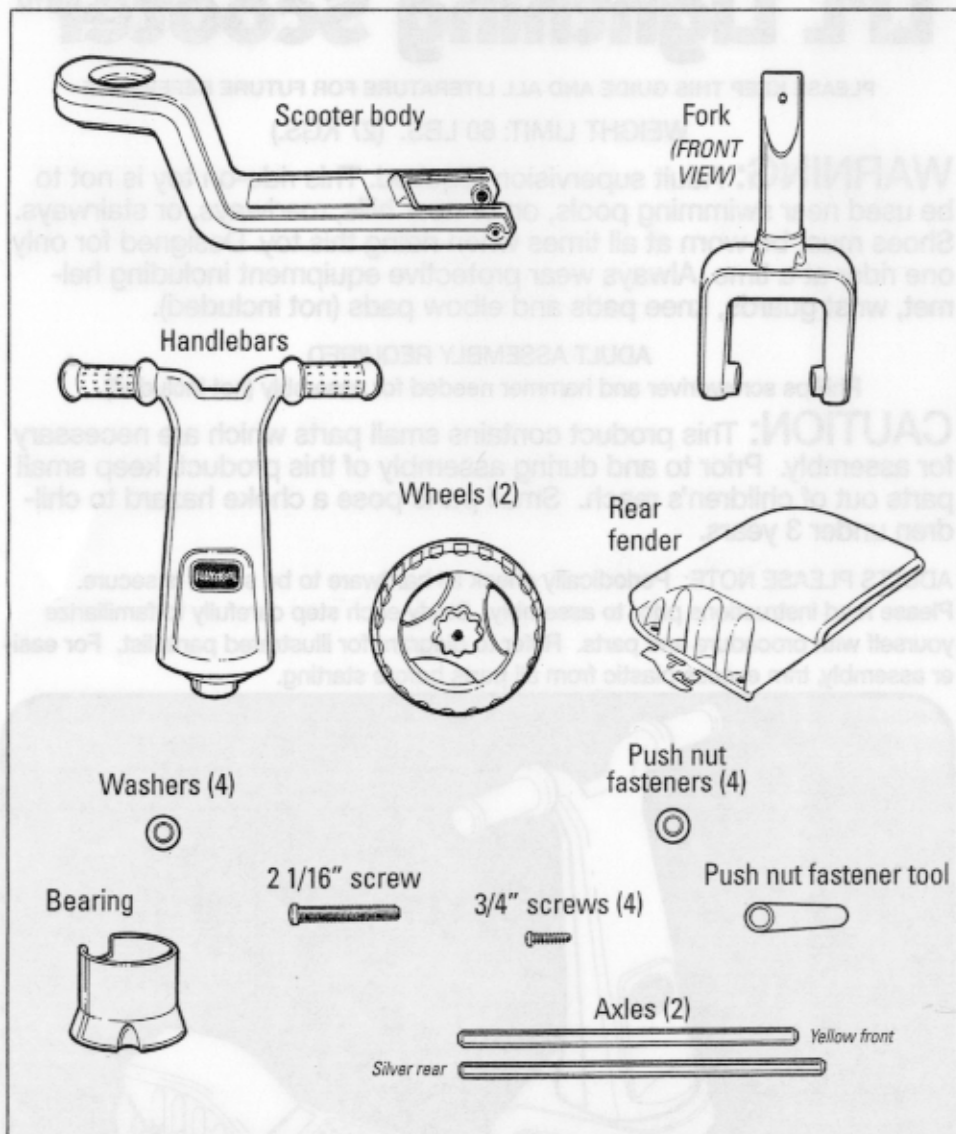
**CAUTION:** This product contains small parts which are necessary for assembly. Prior to and during assembly of this product, keep small parts out of children's reach. Small parts pose a choke hazard to children under 3 years.

ADULTS PLEASE NOTE: Periodically check all hardware to be sure it is secure. Please read instructions prior to assembly. Study each step carefully to familiarize yourself with procedure and parts. Refer to diagram for illustrated parts list. For easier assembly, trim excess plastic from all parts before starting.

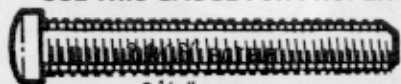


## PARTS DIAGRAM

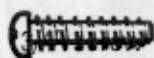
Please check all parts carefully before assembly.



### USE THIS GAUGE FOR PROPER SCREW LENGTH

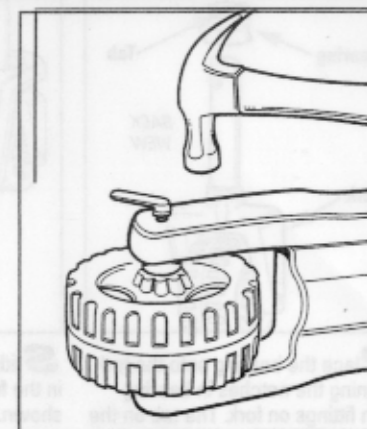
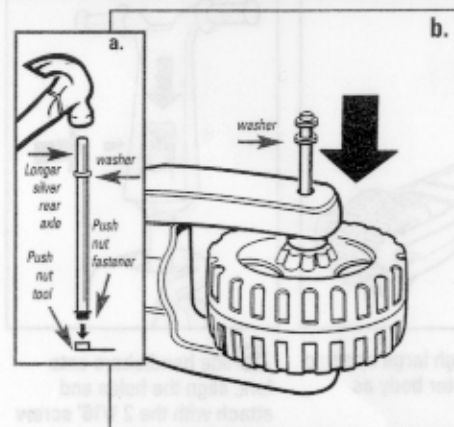


2 1/16" screw



3/4" screw

## REAR WHEEL ASSEMBLY

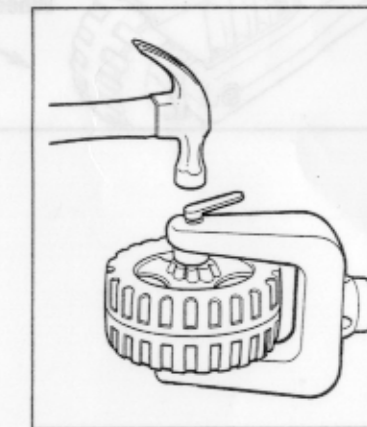
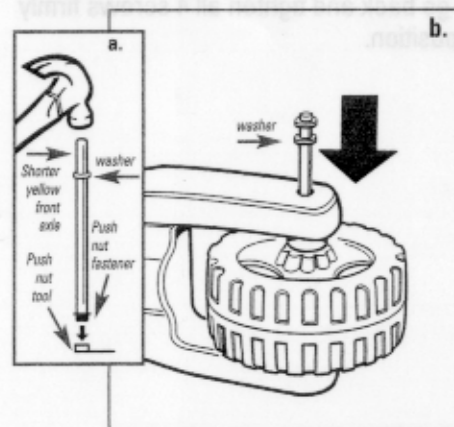


**F**it push nut fastener into push nut fastener tool. Position end of axle over push nut fastener. **BE SURE TO USE THE LONGER AXLE FOR REAR WHEEL ASSEMBLY. LONGER AXLE IS SILVER.** Using hammer, hit end of axle into push nut fastener. Slide washer onto axle. (See illustration a.)

**T**urn body over. Slide washer onto axle. Fit push nut fastener into push nut fastener tool. Fit tool (with push nut fastener attached) over exposed end of axle. Using a hammer, hit fastener onto end of axle.

**T**urn scooter body on its side. Position wheel as shown and hold in place. Slide axle through holes in body and wheel. (See illustration b.)

## FRONT WHEEL ASSEMBLY



**F**it push nut fastener into push nut fastener tool. Position end of axle over push nut fastener. **BE SURE TO USE THE SHORTER AXLE FOR FRONT WHEEL ASSEMBLY. SHORTER AXLE IS YELLOW.** Using hammer, hit end of axle into push nut fastener. Slide washer onto axle. (See illustration a.) Place front wheel between the fork as shown. Slide axle through holes in fork and wheel. (See illustration b.)

**T**urn fork over. Slide washer onto axle. Fit push nut fastener into push nut fastener tool. Fit tool (with push nut fastener attached) over exposed end of axle. Using a hammer, hit fastener onto end of axle.