

# PLAYSKOOL <sup>LIL</sup> FOLKSWAGON

## INSTRUCTIONS

No. 50020  
P/N 40363300  
AGES 1 1/2 to 3 1/2  
MAX. WT. 40 LBS.

**Adult Assembly Required.**  
**Tools Required (not included):**  
Standard or Phillips Screwdriver, Pliers,  
Hammer, Small Block of Wood

**PLEASE RETAIN THIS GUIDE AND ALL LITERATURE  
FOR FUTURE REFERENCE.**

### IMPORTANT NOTICE

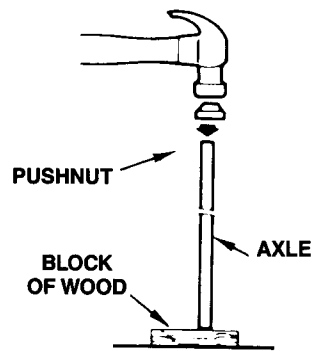
PARENTS: PLEASE MAKE PERIODIC INSPECTIONS OF ALL  
POWER CYCLE HARDWARE TO ENSURE THAT IT IS SECURE.

### CAUTION

**RIDE-ON TOY SHOULD NOT BE USED NEAR SWIMMING POOLS, ON OR NEAR HILLS,  
ROADWAYS, SLOPED DRIVEWAYS, ALLEYS OR STEPS. SHOES MUST BE WORN AT ALL TIMES.  
ONLY ONE RIDER AT A TIME. ADULT SUPERVISION AND INSTRUCTION REQUIRED  
REGARDING THE PROPER USE OF THIS TOY.**

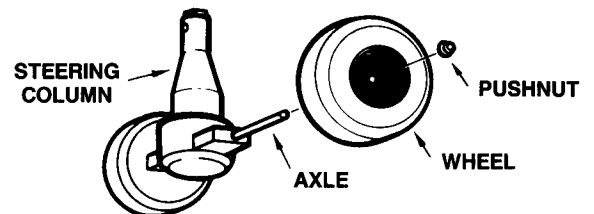
### REAR WHEEL ASSEMBLY

Stand axle bar on a small block of wood. Hammer a pushnut on one end. Place one wheel on axle, indented side out, and push the bare end of the axle through the body. Place second wheel, with indented side out, on and hammer a pushnut on the end.



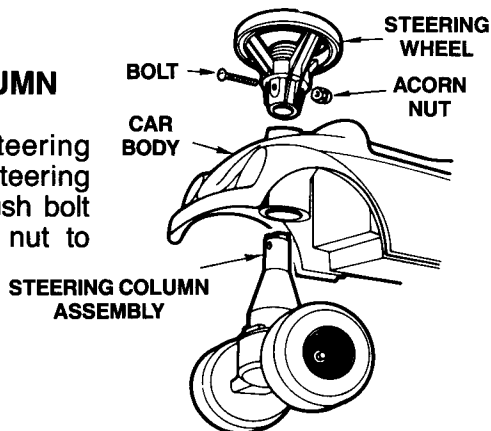
### FRONT WHEEL ASSEMBLY

Stand axle bar on a small block of wood. Hammer a pushnut on one end. Place one wheel on axle, indented side out, and push the bare end of the axle through steering column, as shown. Place second front wheel (with indent facing outward) onto axle, and hammer a pushnut on the end.



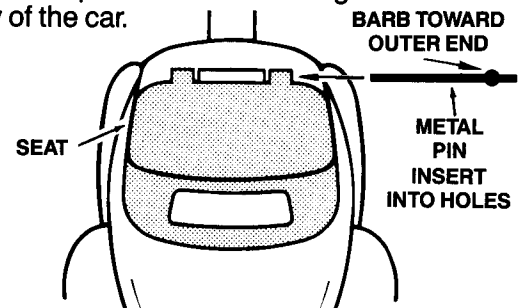
### STEERING COLUMN ASSEMBLY

Line up holes in steering wheel to holes in steering column assembly. Push bolt through and tighten nut to complete assembly.



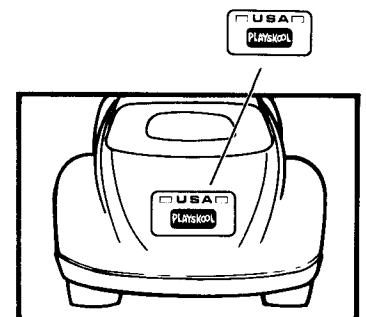
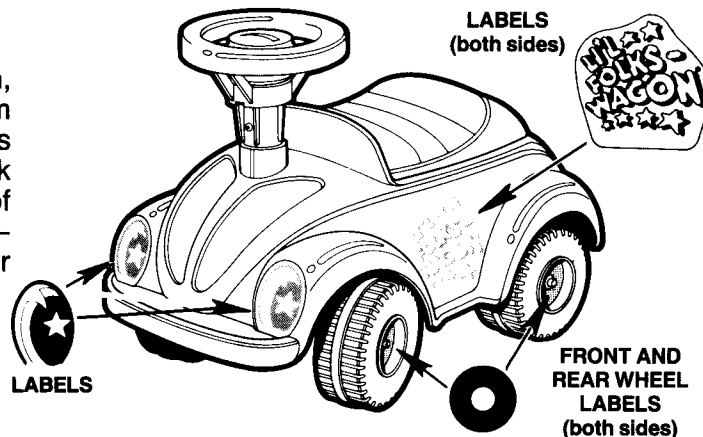
### SEAT ASSEMBLY

Position seat as shown. Insert the metal pin through the holes on the seat and body tabs. Hammer rod into position. This will hinge the seat to the body of the car.



### APPLY LABELS

Wipe label areas with a clean, dry cloth. Peel labels from backing sheet and apply as shown. Labels have quick setting adhesive. Be sure of position before applying — labels cannot be lifted after setting.



REAR VIEW OF CAR

